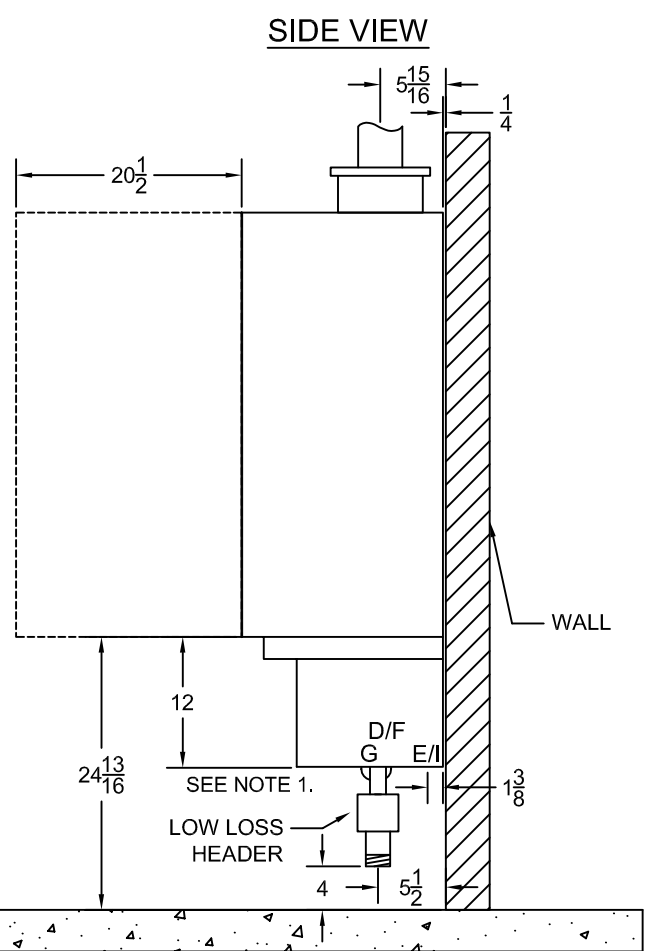
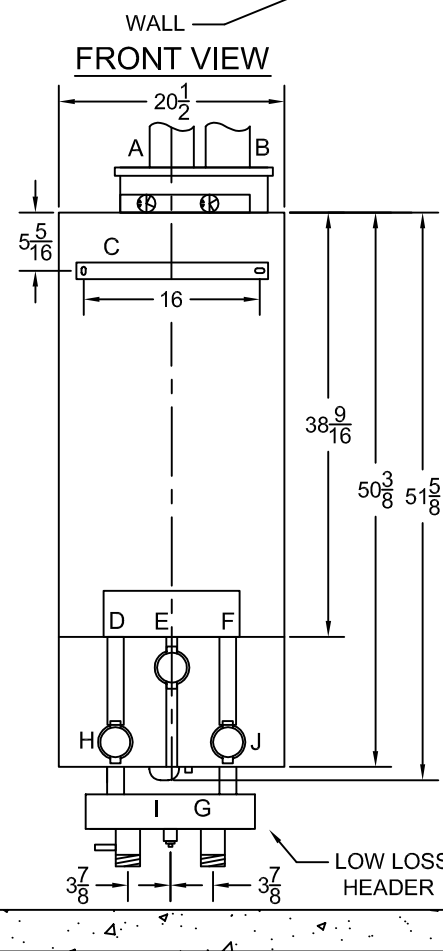
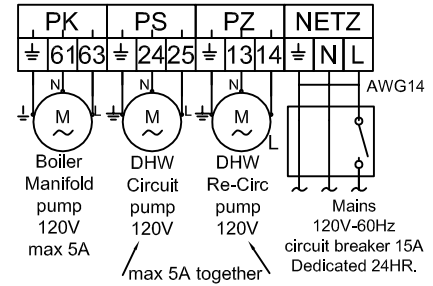
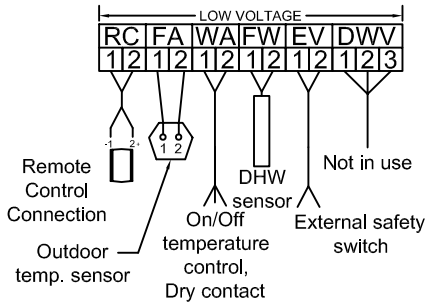


REVISIONS			
REV	DESCRIPTION	DATE	APPROVED
A	Released	8/10/2009	

NOTES:  
1. FOR SINGLE BOILER INSTALLATION ONLY



SYMBOL	NAME	SIZE
A	Flue Gas ID	4"
B	Air intake ID	4"
C	Wall bracket	-
D	Supply Union Nut	1 1/2"
E	Gas RP Female	1"
F	Return Union Nut	1 1/2"
G	Condensate Drain	1 1/4"
H	Supply NPT Male	1 1/2"
I	Gas NPT Female	1"
J	Return NPT Male	1 1/2"



Bosch Thermotechnology Corp.  
50 Wentworth Ave.  
Londonderry, NH 03053

Tolerance  
Fraction = ± 1/2"  
x.x = ± 0.030  
x.xx = ± 0.015  
x.xxx = ± 0.005

This Drawing is the exclusive property of Bosch Thermotechnology Corporation, it may not be reproduced or given to third parties.

Drawn By:  
M SPIRIDIGLOZZI

Approved By:  
J MILLS

**Buderus**  
Bosch Group

Bosch Thermotechnology Corp.

DESCRIPTION  
GB162 80/100 BOILER SPECIFICATION

SIZE	SCALE	DRAWING NO.	REV.
A	NTS	BTC 432006105	A

DATE 8/10/2009

SHEET 1 of 1