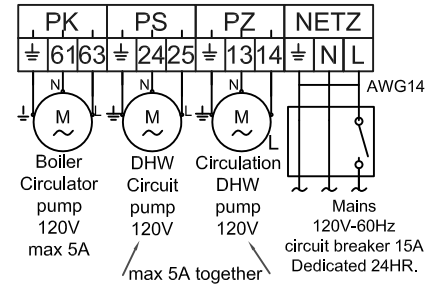
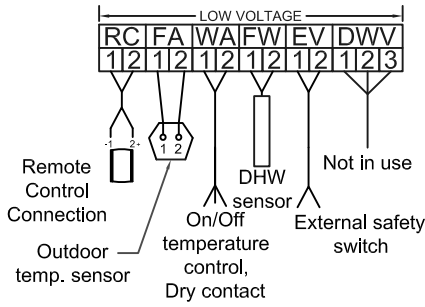


SYMBOL	NAME	SIZE
A	Flue Gas ID	4"
B	Air intake ID	4"
C	Wall bracket	-
D	Supply Union Nut	1 1/2"
E	Gas RP Female	1"
F	Return Union Nut	1 1/2"
G	Condensate Drain	1 1/4"
H	Supply NPT Male	1 1/2"
I	Gas NPT Female	1"
J	Return NPT Male	1 1/2"



Bosch Thermotechnology Corp.
50 Wentworth Ave.
Londonderry, NH 03053

Tolerance

Fraction = ±1/4"
x.x = ±0.030
x.xx = ±0.015
x.xxx = ±0.005

This Drawing is the exclusive property of Bosch Thermotechnology Corporation, it may not be reproduced or given to third parties.

Drawn By:
M SPIRIDIGLOZZI

Approved By:
J MILLS

Bosch Thermotechnology Corp.

DESCRIPTION
GB162 80/100 BOILER SPECIFICATION

SIZE	SCALE	DRAWING NO.	REV.
A	3/4" = 1'		

DATE 4/29/2009

SHEET 1 of 1