

## Installation Instructions

# Adapter for Boiler Accessories

This adapter allows connecting boiler accessories to be powered simultaneously with the burner, e.g. a condensate neutralizer, a fuel oil valve, etc.



### NOTICE:

Only connect devices supplied by Buderus and designed to be connected to this adapter. In all other cases use the adapter to power a switching relay to avoid overloading burner components.

### Included items

- Adapter (→ Fig. 2)
- Installation Instructions



### NOTICE:

Installation may only be performed by a trained installer. Ensure compliance with all applicable local codes and regulations.

- Prior to installation:
  - shut down the power supply to the heating system by turning off the emergency shut-off switch or disengaging the heating system circuit breaker, and prevent from accidental reactivation.
- Remove hood from burner.
- Remove plug from burner motor socket (→ Fig. 1, [1]).
- Plug male end of the adapter (→ Fig. 2, [1]) in the socket of the burner motor (→ Fig. 1, [1]). Observe that the plug is keyed.
- Connect male burner cable plug into the female end of the adapter (→ Fig. 2, [3]). Again observe that the plug is keyed.
- Make the connection from the adapter terminal (→ Fig. 2, [2]) to the accessory, e.g. the neutralizer. If an extension cable is needed, use 3-conductor 14 AWG appliance cable approved for the application. Ensure that the correct polarity is used: Neutral - Ground - Hot.
- Properly route and support the cable to the accessory.
- Replace burner hood.
- Turn on power.
- Test heating system and functionality of the accessory.

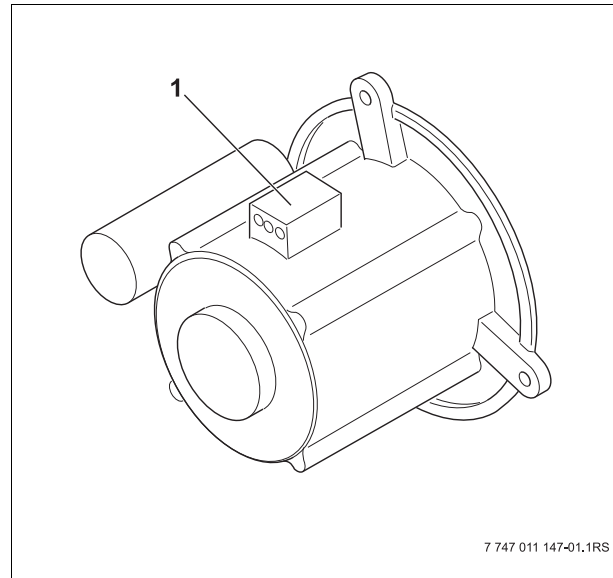


Fig. 1 Burner motor

1 Burner motor socket

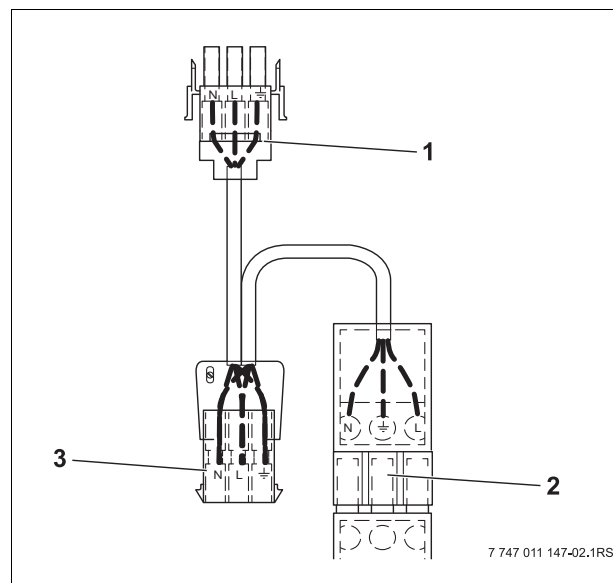


Fig. 2 Adapter

1 Male plug to motor

2 Plug with wiring terminals to connect the accessory

3 Female plug to burner cable

Bosch Thermotechnology Corporation  
50 Wentworth Avenue  
Londonderry, NH 03053  
U.S.A.  
Tel. 603-552-1100  
Fax 603-584-1681  
www.buderus.net

**Buderus**