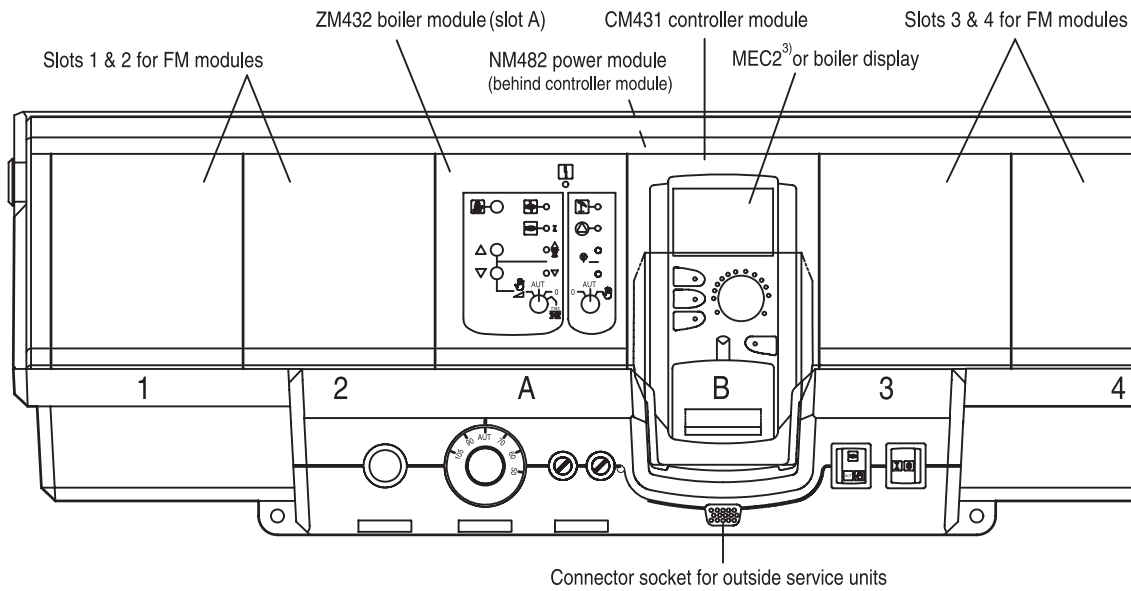


WARNING!

Installation of controls including but not limited to all safety related equipment must be in accordance to all applicable local and national codes and regulations. Never use ground wire (green/yellow) for controls purposes. This control must be hard wired. Never use a removable power cord. Verify that power is connected to the appropriate terminals.

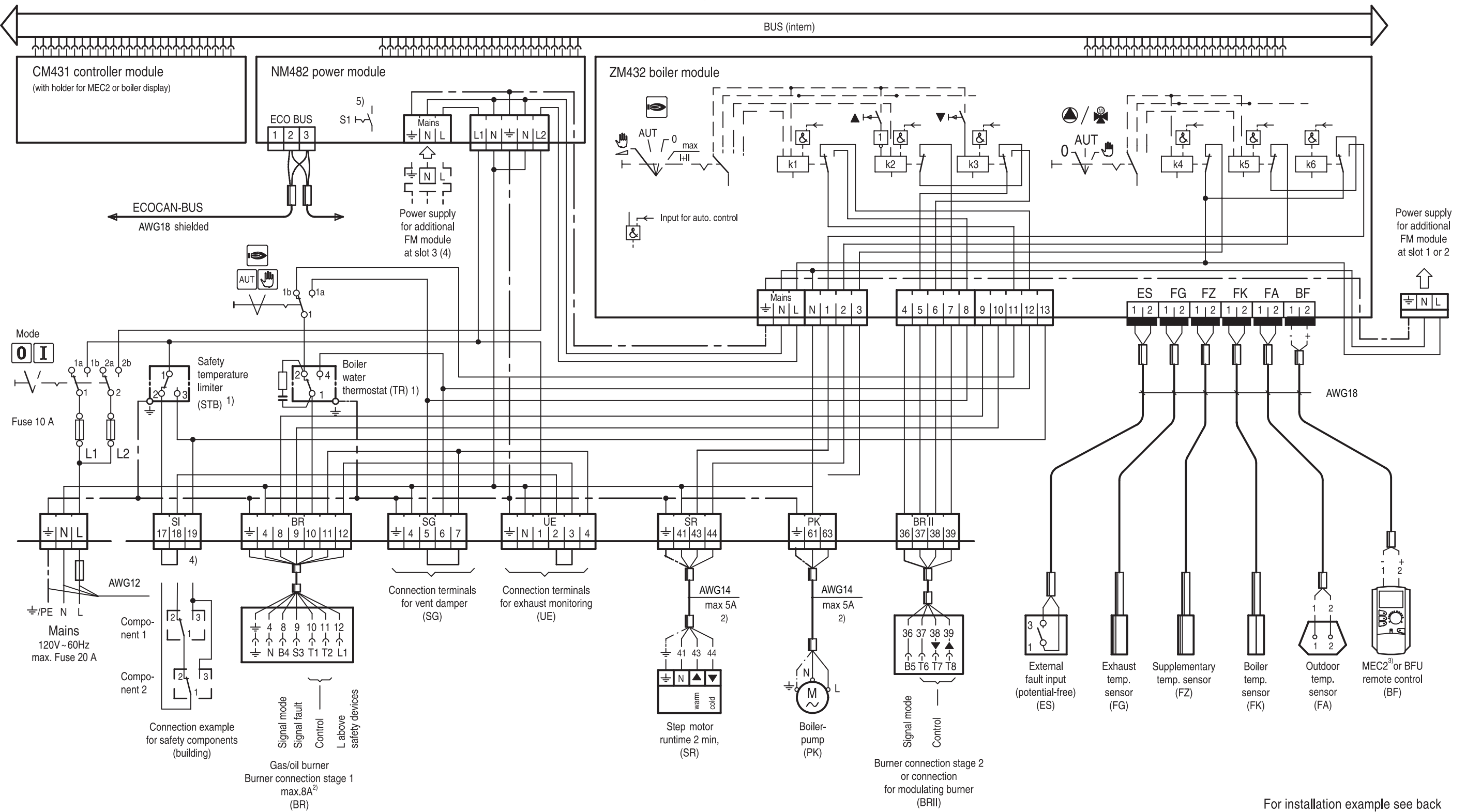
- Contact opens with increasing temperature.
- The maximum current per circuit (L1, L2) must not exceed 10 A.
- Caution! Only one MEC2 can be connected to each control. The MEC2 can be plugged in the controller module or connected to one of the ZM or FM modules with the room installation kit (optional equipment).
- Connection option for safety components.
- When connecting multiple ECOCAN-BUS components, close switches S1 on the first and the last module.



Circuit states

Switch position	Stage 1			Stage 2/ modulating		
	k1	k2	k3	k4	k5	k6
0	- / -	- / -	- / -	(PK) - / -	(SR) - / -	(SR) - / -
AUT	Closed-loop control	Closed-loop control warmer	Closed-loop control colder	Closed-loop control	Closed-loop control	Closed-loop control
max I-II	- / -	- / -	- / -	- / -	- / -	- / -

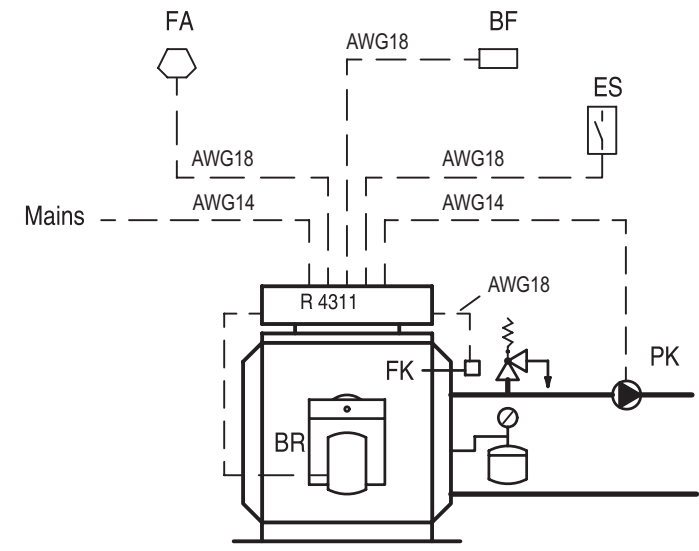
▲ = warmer
▼ = colder



For installation example see back

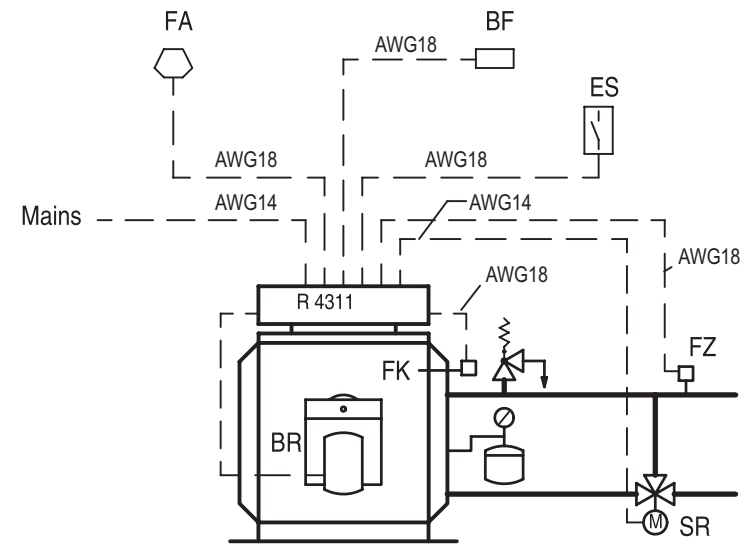
Legend:

- BF MEC2 or BFU remote control
- BR Burner
- ES External fault input (potential-free)
- FA Outdoor temperature sensor
- FK Boiler water temp. sensor
- FZ Additional temp. sensor
- PK Boiler pump
- SR Return mixing valve



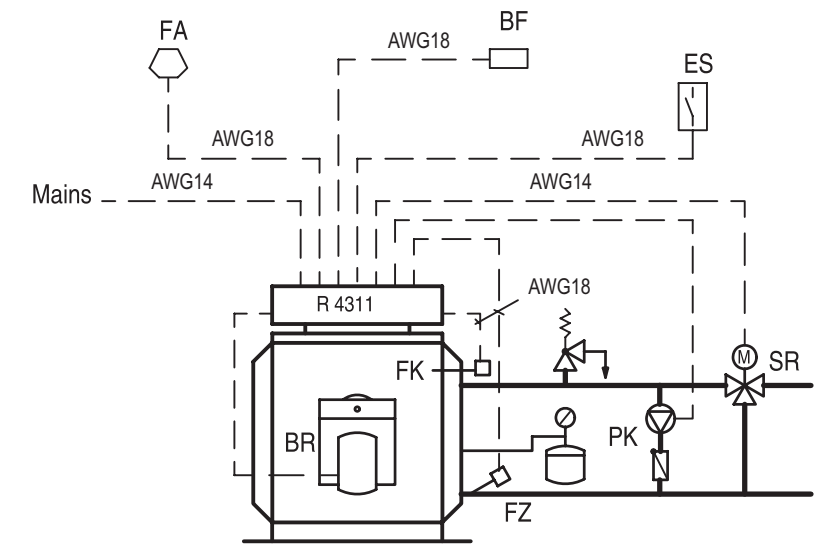
Buderus boiler

Example for integration of boilers without special operating requirements with boiler pump and hydraulic compensation.



Buderus ThermoStream boiler

Example for integration of ThermoStream boilers. Control via separate boiler loop actuator (SR)



Buderus boiler with minimum return temperature.

Example for integration of boilers with return temperature control. Control via separate boiler loop actuator (SR).