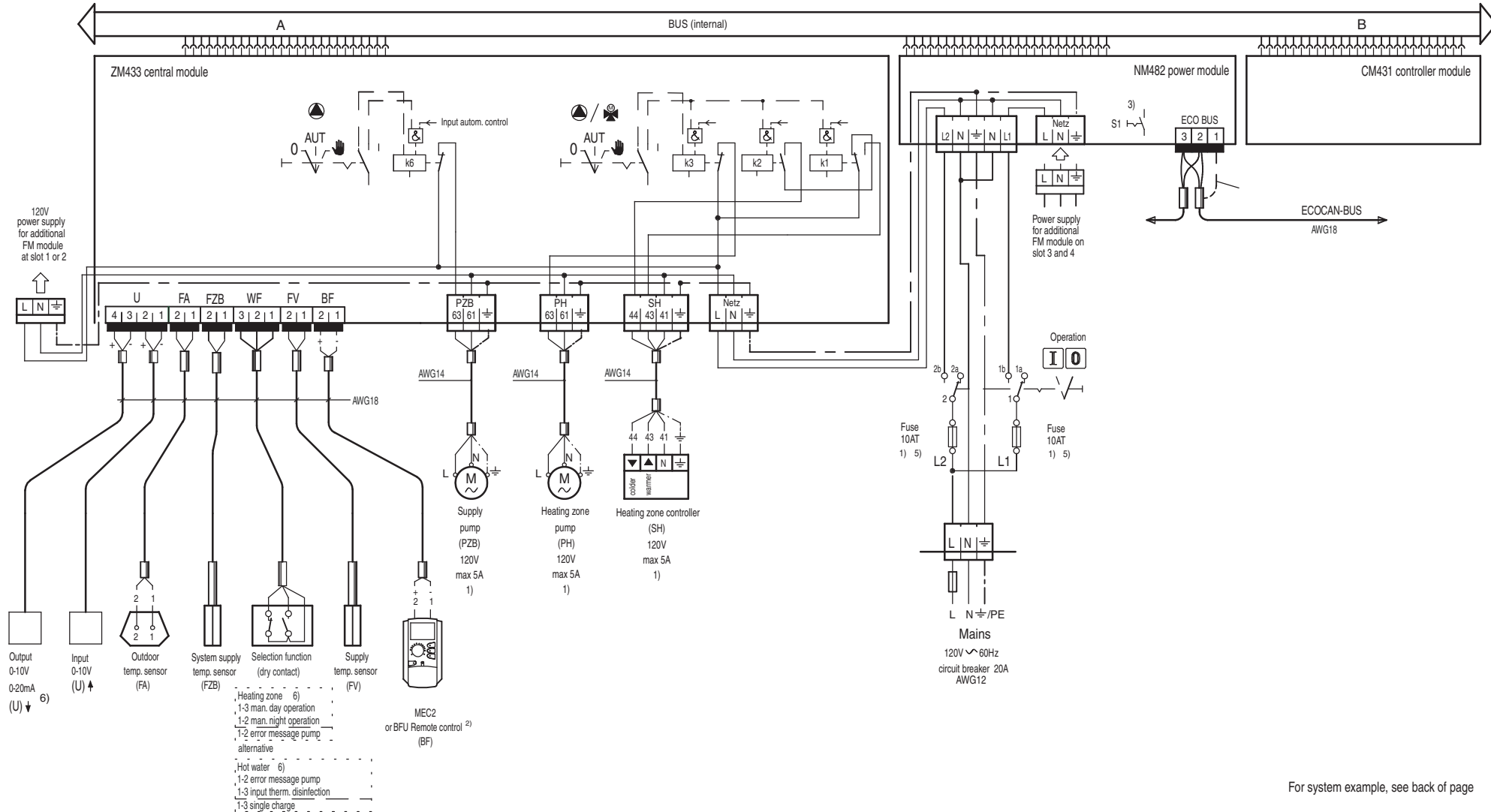
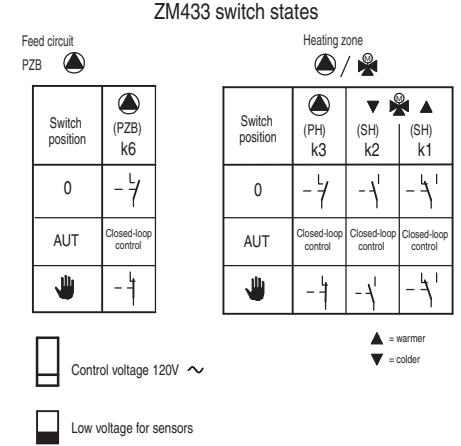
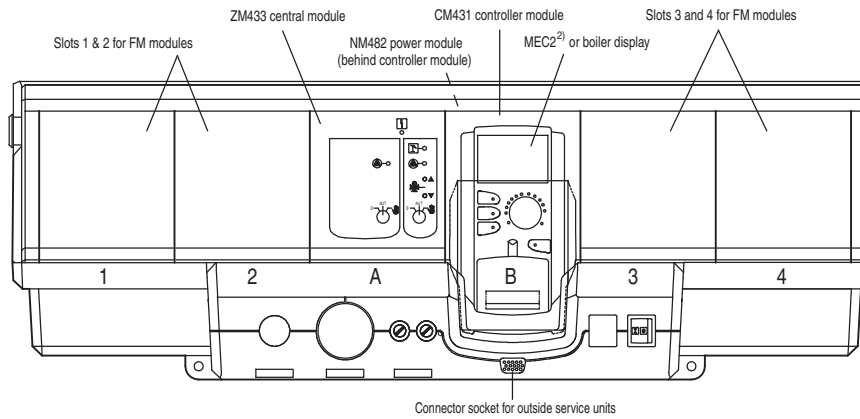


Note!

Installation of controls including but not limited to all safety related equipment must be in accordance with all applicable local and national codes and regulations. **Caution!** Yellow/green ground conductor must not be used as control lead. Verify that power is connected to the appropriate terminals. This control must be hard wired. Never use a power cord.

- The total current per power circuit (L1, L2) must not exceed 10A. Verify maximum current draw after start-up in order to avoid damage to the device!
- Caution! Only one MEC2 can be allocated to each control. The MEC2 can either be plugged into the control panel, or room wall mounted using the wall installation kit (optional) wired to the ZM or FM module.
- When connecting multiple ECOCAN-BUS components, the S1 switches (termination on the NM482) of the two outermost ECOCAN-BUS devices must be closed.
- Shielded wires are not required for standard applications. (Terminate shield only at one end)
- L2: fuse protection of the modules in slots A, 1, and 2
L1: fuse protection of the modules in slots 3 and 4
- See also Service Instructions



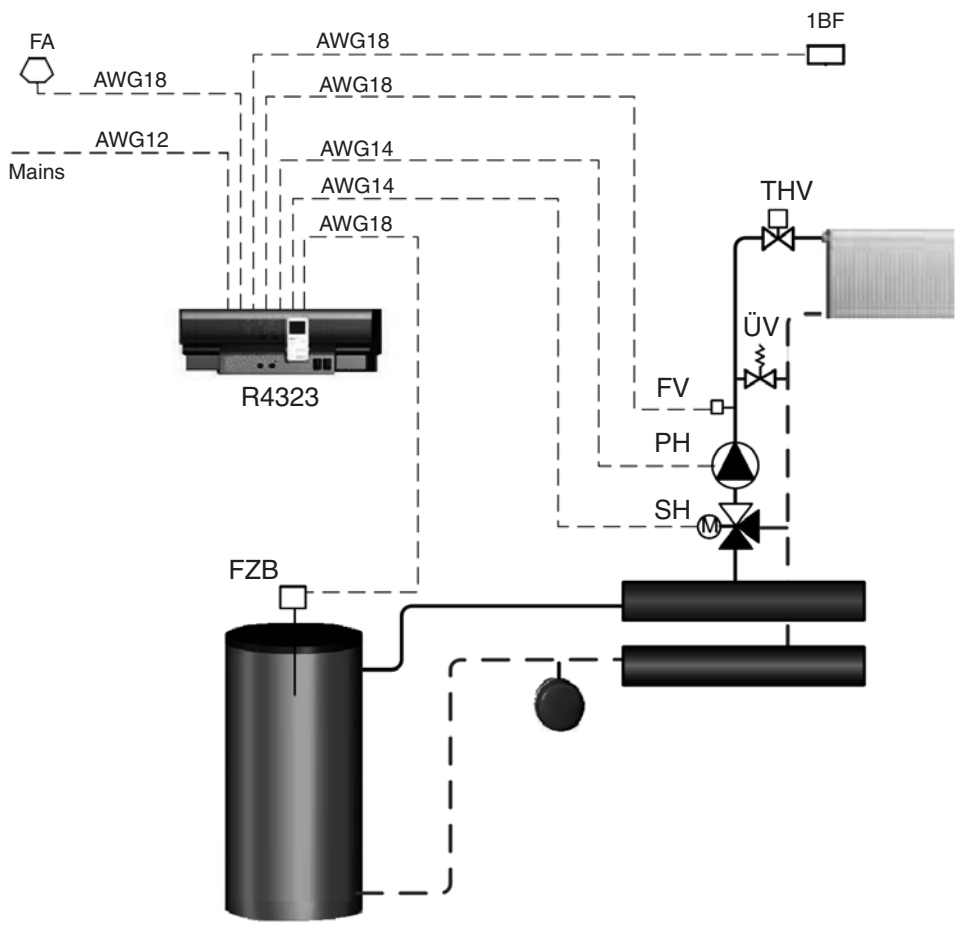
For system example, see back of page



Legend:

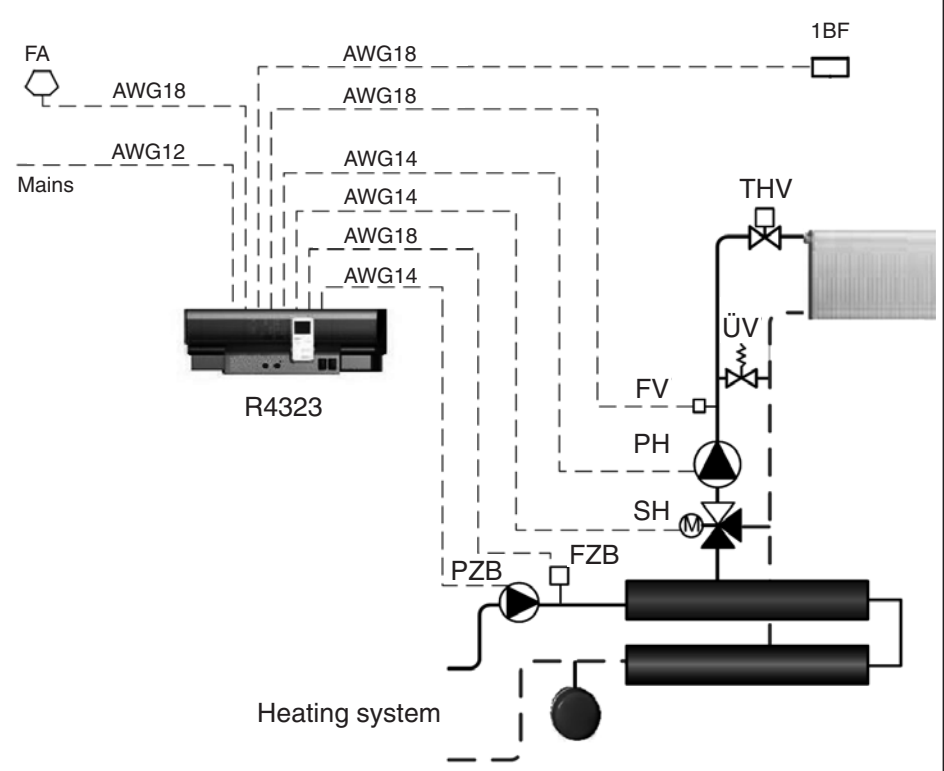
- FZB system supply temperature sensor
- PH circulation pump heating circuit
- PZB supply pump
- THV thermostatic radiator valve
- SH actuator heating mixer
- ÜV overflow valve
- FV system temperature sensor
- FA exterior sensor
- 1 BF remote control heating circuit 1

System example 1



Stand-alone heating system

System example 2



Heating substation with supply pump and low loss header

