

## CAUTION!

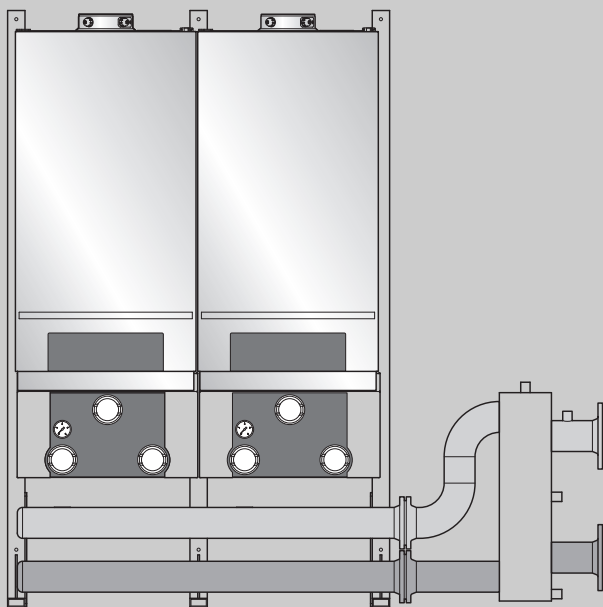
Before putting the boiler into operation read this manual carefully.

## WARNING!

Improper installation, adjustment, alteration, service or maintenance can cause injury, loss of life or property damage. Refer to this manual. For assistance or additional information consult a qualified installer, service agency or the gas supplier.

## CAUTION!

The operating manual is part of the documentation that is delivered to the installation's operator. Go through the information in this manual with the owner/operator and make sure that he or she is familiar with all the necessary operating instructions.



**Warning: If the information in these instructions is not followed exactly, a fire or explosion may result causing property damage, personal injury or loss of life.**

- Do not store or use gasoline or other flammable vapors and liquids in the vicinity of this or any other appliance.
- What to do if you smell gas
  - Do not try to light any boiler.
  - Do not touch any electrical switch; do not use any phone in your building.
  - Immediately call your gas supplier from a neighbor's phone. Follow the gas supplier's instructions.
  - If you cannot reach your gas supplier, call the fire department.
- Installation and service must be performed by a qualified installer, service agency or the gas supplier.

## Notice:

This manual is available in the English and French language.

This manual must be retained for future reference.



# Installation instructions

## Logamax plus

### GB162-80 kW/100 kW

# Overview Cascade frame for Logamax plus GB162-80 kW/100 kW

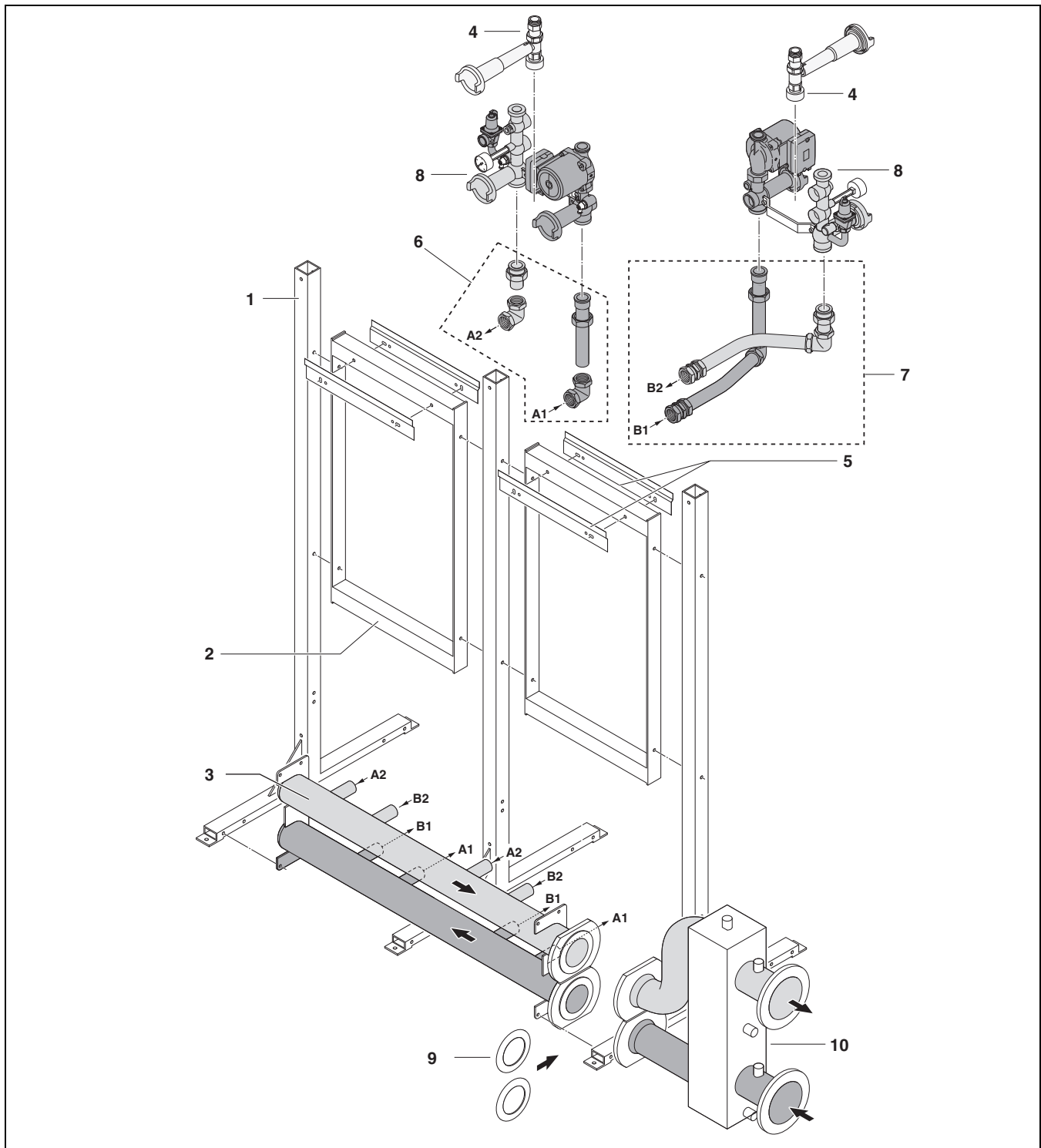


Fig. 1 Overview of cascade frame for Logamax plus GB162-80 kW/100 kW

- |                             |   |
|-----------------------------|---|
| 1: Supports                 | 6: Cascade connection set TL-inline       |
| 2: Connecting frame         | 7: Cascade connection set TR-back-to-back |
| 3: Supply and return header | 8: Pump group                             |
| 4: Manual gas shutoff valve | 9: Flange seals - gaskets                 |
| 5: Mounting bracket         | 10: Low loss header                       |

## Contents

<b>1</b>	<b>General information</b> .....	<b>3</b>
<b>2</b>	<b>Items supplied with unit</b> .....	<b>3</b>
2.1	Configurations .....	4
<b>3</b>	<b>Dimensions</b> .....	<b>6</b>
<b>4</b>	<b>Installation</b> .....	<b>8</b>
4.1	Installing the Cascade frame .....	8
4.2	Installing the Boiler assembly and Pump Group .....	8
4.3	Installing the insulation .....	9

## 1 General information

The installation instructions for cascade systems with Logamax plus GB162 appliances are provided to enable correct and easy installation.

For installation of cascade flue systems refer to the Flue Cascade manual with number 6720646836 (EN/FR) at [www.buderus.us](http://www.buderus.us).

The modular cascade frame consists of a number of supports with connecting frames which are screwed together during installation.

The compact dimensions of the individual cascade frame parts enable simple and quick installation.



### NOTICE

Please refer to the Logamax plus GB162-80kW/100kW Installation Instruction Manual for details on the installation, start-up, maintenance and troubleshooting of the boiler(s).

## 2 Items supplied with unit

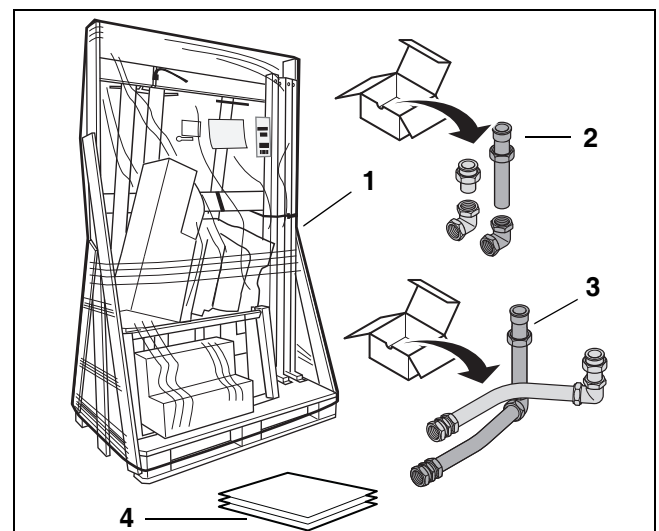


Fig. 2 Items supplied with the cascade frame

### Cascade frame (→ fig. 2)

See also fig. 1 on page 2:

- Pallet with cascade frame:
  - supports
  - connecting frame
  - supply and return header
  - flange seals - gaskets
  - low loss header
  - blank flanges
  - rubber pump seals
  - fixings
  - fasteners
- Box with cascade frame connection set TL-inline; For a TL-inline configuration then 2 cascade connection sets for the TL-inline are included.

3. Box with cascade frame connection set TR-back-to-back;  
For a TR-back-to-back cascade connection set then  
1 TR-back-to-back cascade connection set is included and one TL-inline cascade connection set is included
4. Installation instructions.

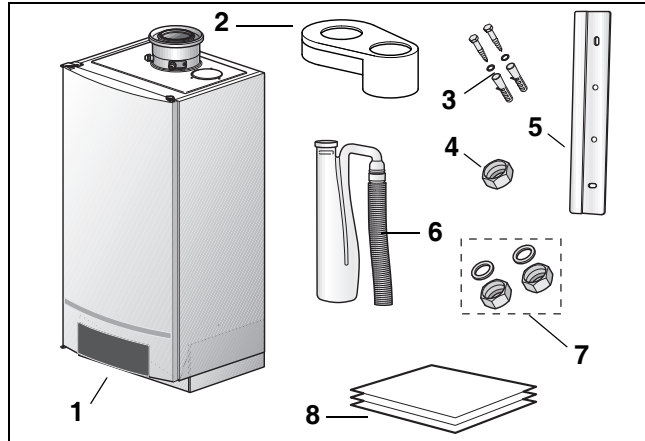


Fig. 3 Items supplied with the boiler assembly

**Boiler (→ fig. 3):  
(to be ordered from your supplier)**

1. Boiler with casing
2. Parallel flue adapter
3. Screws and plugs for wall bracket
4. Union nut for gas connection
5. Wall bracket
6. Condensate trap with hose
7. Supply and return union nuts with sealing rings
8. Technical documents set.

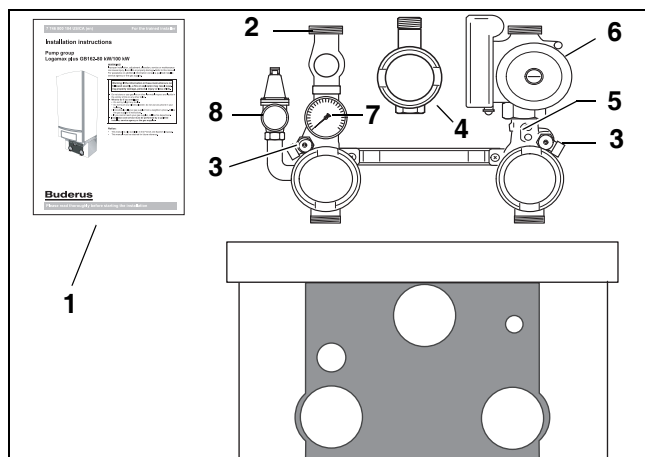


Fig. 4 Items supplied with pump group

**Pump group (→ fig. 4):  
(to be ordered from your supplier)**

1. Installation instructions
2. Connection kit.

The connection kit consists of:

3. Maintenance valve(s) - fill and drain
4. Gas isolation valve

**Buderus**

5. Flow check valve
6. Pump
7. Pressure gauge
8. Pressure relief valve.

System gross output			Cascade frame system options TL = inline TR = back-to-back	Number of boilers GB162	
Natural gas	LPG	kW		80 kW	100 kW
k.Btu/hr	k.Btu/hr				
290	270	80	Single installation	1	–
333	315	100	Single installation	–	1
580	540	160	TL2 or TR2	2	–
623	585	180	TL2 or TR2	1	1
666	630	200	TL2 or TR2	–	2
870	810	240	TL3 or TR3	3	–
913	855	260	TL3 or TR3	2	1
956	900	280	TL3 or TR3	1	2
999	945	300	TL3 or TR3	–	3
1,203	1,125	340	TL4 or TR4	3	1
1,246	1,170	360	TL4 or TR4	2	2
1,289	1,215	380	TL4 or TR4	1	3
1,332	1,260	400	TL4 or TR4	–	4
1,536	1,440	440	TR5	3	2
1,579	1,485	460	TR5	2	3
1,622	1,530	480	TR5	1	4
1,665	1,575	500	TR5	–	5
1,826	1,710	520	TR6	4	2
1,869	1,755	540	TR6	3	3
1,912	1,800	560	TR6	2	4
1,955	1,845	580	TR6	1	5
1,998	1,890	600	TR6	–	6
2,159	2,025	620	TR7	4	3
2,202	2,070	640	TR7	3	4
2,245	2,115	660	TR7	2	5
2,288	2,160	680	TR7	1	6
2,331	2,205	700	TR7	–	7
2,492	2,340	720	TR8	4	4
2,535	2,385	740	TR8	3	5
2,578	2,430	760	TR8	2	6
2,621	2,475	780	TR8	1	7
2,664	2,520	800	TR8	–	8

Table 1 Cascade selection

**2.1 Configurations**

Buderus supplies cascade frame systems in **TL** and **TR** configurations:

**TL - Inline frame installation**

All boiler assemblies are installed in one line, enabling an easy-to-monitor installation in a narrow room.

### TR - Back-to-back frame installation

The boiler assemblies are installed back-to-back on both sides of the frame, to create a compact installation which ideally suits rectangular rooms and which ensures the best possible access to all boilers.

The relevant configuration can be selected on the basis of the performance required (→ table 1).

### Boiler assembly connection kit

The connection kit can be used both for the Logamax plus GB162-80 kW and the GB162-100 kW boilers. The connection kit includes a pressure relief valve, a flow check valve, a pump and isolating valves.

Low loss header	TL- configuration (inline)	TR- configuration (back-to-back)
2½"	TL2, TL3	TR2
3"	TL4	TR3, TR4
4"	5 boilers and more	

Table 2 Low loss header configuration

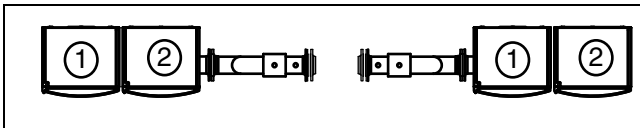


Fig. 5 Cascade system configuration varieties

The Logamax plus GB162 cascade frame and hydraulic system can be installed in 2 different configurations (→ fig. 5).

The gas connection can be made to either side of the boilers, independent of the supply- and return connections.

### 3 Dimensions

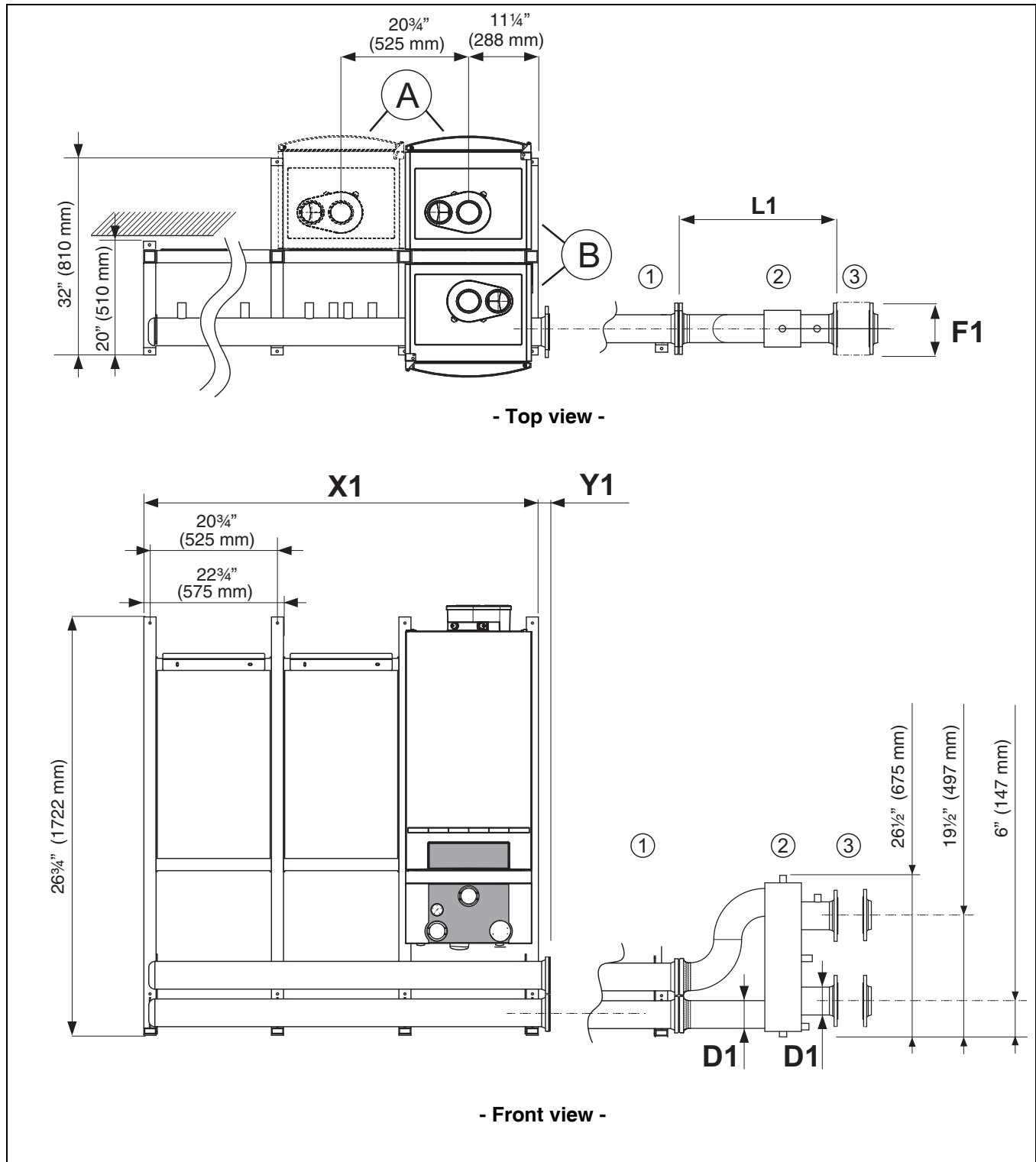


Fig. 6 Dimensions of cascade frame and hydraulic systems - 1

A: TL - In-line configuration

B: TR - Back-to-back configuration

1: Supply and return header

2: Low loss header

3: Enclosed welding flanges

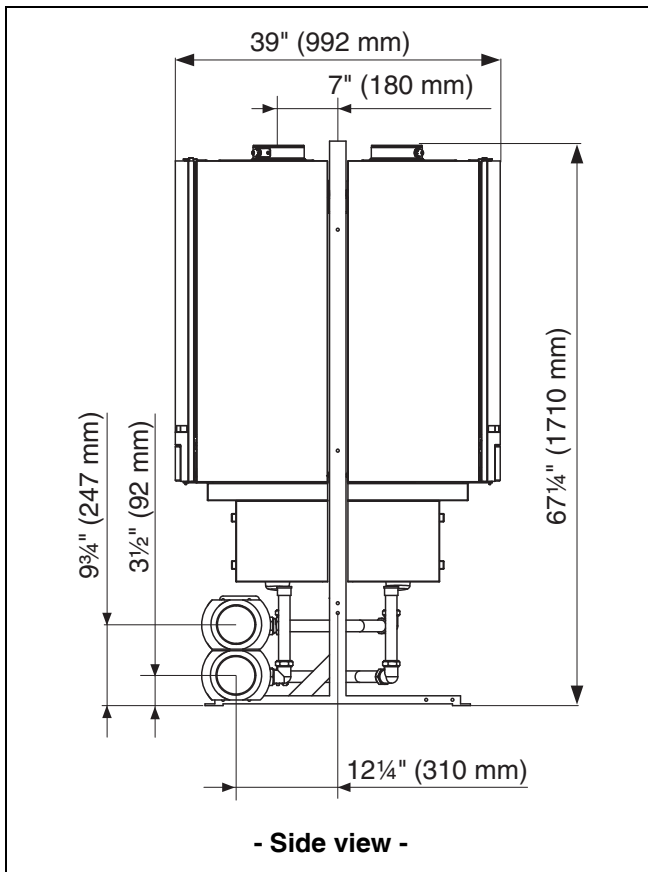


Fig. 7 Dimensions of cascade frame systems - 2

Cascade frame system	Length			Width	
	X1	+	Y1		
<b>TL2</b>	43 <sup>3</sup> / <sub>8</sub> " 1,100 mm	+	1 <sup>3</sup> / <sub>8</sub> " 38 mm	= 44 <sup>3</sup> / <sub>4</sub> " 1,138 mm	22 <sup>3</sup> / <sub>4</sub> " 575 mm
<b>TL3</b>	64 <sup>1</sup> / <sub>8</sub> " 1,625 mm	+	1 <sup>3</sup> / <sub>8</sub> " 38 mm	= 65 <sup>1</sup> / <sub>2</sub> " 1,663 mm	22 <sup>3</sup> / <sub>4</sub> " 575 mm
<b>TL4</b>	84 <sup>5</sup> / <sub>8</sub> " 2,150 mm	+	1 <sup>5</sup> / <sub>8</sub> " 42 mm	= 86 <sup>1</sup> / <sub>4</sub> " 2,192 mm	22 <sup>3</sup> / <sub>4</sub> " 575 mm

Table 3 TL-inline configurations

Cascade frame system	Length			Width	
	X1	+	Y1		
<b>TR2</b>	22 <sup>7</sup> / <sub>8</sub> " 575 mm	+	1 <sup>3</sup> / <sub>8</sub> " 38 mm	= 24 <sup>1</sup> / <sub>4</sub> " 613 mm	39" 992 mm
<b>TR3, TR4</b>	43 <sup>3</sup> / <sub>8</sub> " 1,100 mm	+	1 <sup>5</sup> / <sub>8</sub> " 42 mm	= 45" 1,142 mm	39" 992 mm
<b>TR5, TR6</b>	64" 1,625 mm	+	1 <sup>3</sup> / <sub>4</sub> " 45 mm	= 65 <sup>3</sup> / <sub>4</sub> " 1,670 mm	39" 992 mm
<b>TR7, TR8</b>	84 <sup>3</sup> / <sub>4</sub> " 2,150 mm	+	1 <sup>1</sup> / <sub>4</sub> " 45 mm	= 86 <sup>1</sup> / <sub>2</sub> " 2,195 mm	39" 992 mm

Table 4 TR-back-to-back configurations



**CAUTION**

The dimensional tolerance is ± 5%.

Cascade frame system	Header diameter D1 (inch)	Length L1 (inch)	F1 (flange dimension in mm)
TL2, TL3	2 1/2 "	19" (482 mm)	Blank flange C2631 37.2 NW 65/76.1 PN6
TL4, TR4	3 "	22 3/4" (571 mm)	Blank flange C2631 37.2 NW 80/89 PN6
5 boilers and more	4 "	25 1/2" (651 mm)	Blank flange C2631 37.2 NW 100/114 1/4 PN6

Table 5 Header dimensions

## 4 Installation

### 4.1 Installing the Cascade frame



#### CAUTION

- Make sure that the cascade system is installed on a flat surface.
- Make sure the cascade system is installed level (use a spirit level).
- Check that the carpenters load-bearing capacity of the floor is sufficient for the weight of the installation (approx. 220 lbs [100 kg] for each boiler with accessories).

- Fix the supporting frame onto the first support of the cascade unit with the M8 x 70 screws.



#### NOTICE

Make sure that the slots for the boiler mounting bracket are at the top side of the frame.

- Fix the next support and continue the installation until the cascade unit is complete.
- Position the cascade frame in its final position.
- Level the cascade frame both horizontally and vertically by fitting additional washers below the support.
- Secure the cascade frame to the floor. Make sure that the bolts are aligned with the supports. Do not bend or place the support under stress to make it fit.
- Install the header pipe with the M8 x 70 screws. Do not fully tighten the screws yet.
- Fit the boiler mounting brackets on the top side of the frame with M8 x 65 screws. Install the nuts at the rear of the frame. The bottom side of the bracket should be level with the bottom side of the frame.



#### NOTICE

For TR-back-to-back configurations, both boiler mounting brackets are attached simultaneously, using the M8 x 65 screws.

### 4.2 Installing the Boiler assembly and Pump Group

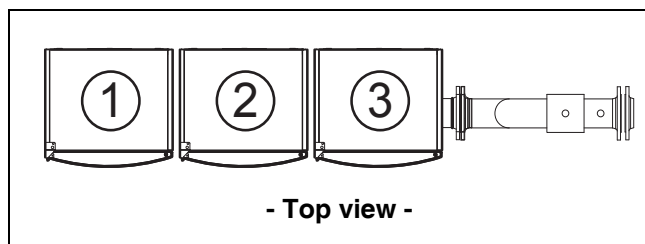


Fig. 8 Installation sequence for a TL-inline configuration

- Hang the first boiler on the cascade frame as shown in fig. 8 or fig. 9.



#### NOTICE

Observe the boiler installation sequence indicated in fig. 8 and fig. 9.

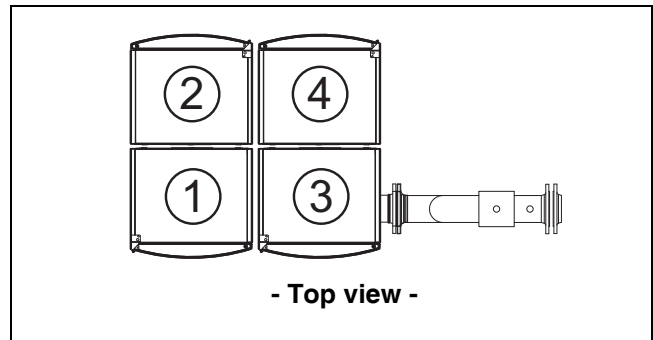


Fig. 9 Installation sequence for TR-back-to-back configuration

- Put the boiler in the correct position and level it horizontally and vertically. Use the set screws on the lower rear of the boiler to adjust it.
- Connect the pump group (see Pump group Installation instructions).
- Remove the protective caps from the header.
- Remove all red paint and unevenness from the supply and return connections of the header.
- Install the supply pipe(s) between the header and the pump group.
- Install the return pipe(s) between the header and the pump group.
- Repeat the above steps to install all boilers.
- If required, seal off any unused connections of the header.
- Install the condensate drain pipe. Use the pre-assembled mounting brackets on the supports for this.
- Install the low loss header with the corresponding flange seals. Use the corresponding screws.
  - 2½" low loss header M12 x 50
  - 3" low loss header M16 x 55
  - 4" low loss header M16 x 55.



#### NOTICE

Pressure test all fittings prior to installing covers.

- Check the cascade system for leaks.



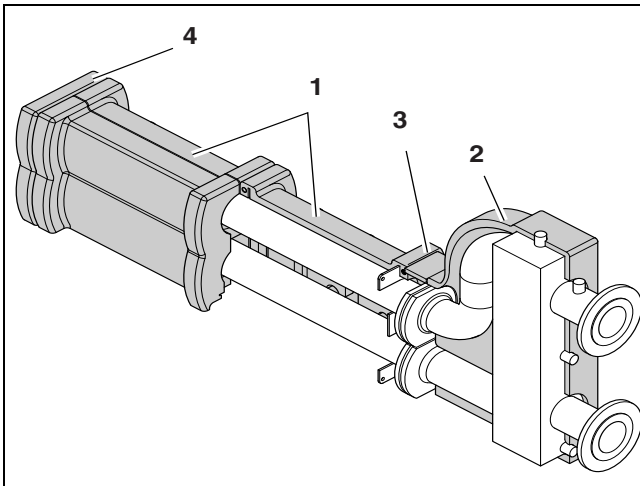


Fig. 10 Header

- Install the front insulation of the low loss header. If required, trim the insulation so that it is straight (→ fig. 10, [3]).
- Install the end cover over the header (→ fig. 10, [4]).

### 4.3 Installing the insulation



#### NOTICE

First start up the cascade system and test the system for leaks. Then install the insulation.

- Install the rear insulation over the header (→ fig. 10, [1]).
- Install the rear insulation part over the low loss header (→ fig. 10, [2]).
- If required, trim the insulation so that it is straight (→ fig. 10, [3]).

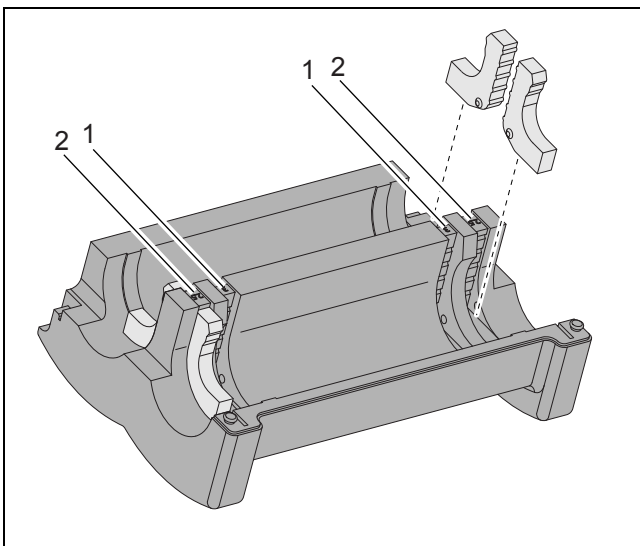


Fig. 11 Inner insulation

- For 2½" and 3" low loss header:
  - install the inserts in the outer insulation.
- For a 2½" low loss header:
  - install the reducing inserts in the outer recesses (→ fig. 11, [2]).
- For a 3" low loss header:
  - install the reducing inserts in the inner groves (→ fig. 11, [1]).
- Click the insulation together.





**United States and Canada**

Bosch Thermotechnology Corp.  
50 Wentworth Avenue  
Londonderry, NH 03053  
Tel. 603-552-1100  
Fax 603-965-7581  
[www.boschheatingandcooling.com](http://www.boschheatingandcooling.com)  
U.S.A.

Products manufactured by  
Bosch Thermotechnik GmbH  
Sophienstrasse 30-32  
D-35576 Wetzlar  
[www.bosch-thermotechnology.com](http://www.bosch-thermotechnology.com)

Bosch Thermotechnology Corp. reserves the right  
to make changes without notice due to continuing  
engineering and technological advances.

**Buderus**