

Technical service bulletin

Commissioning of Low BTU Boilers

Buderus

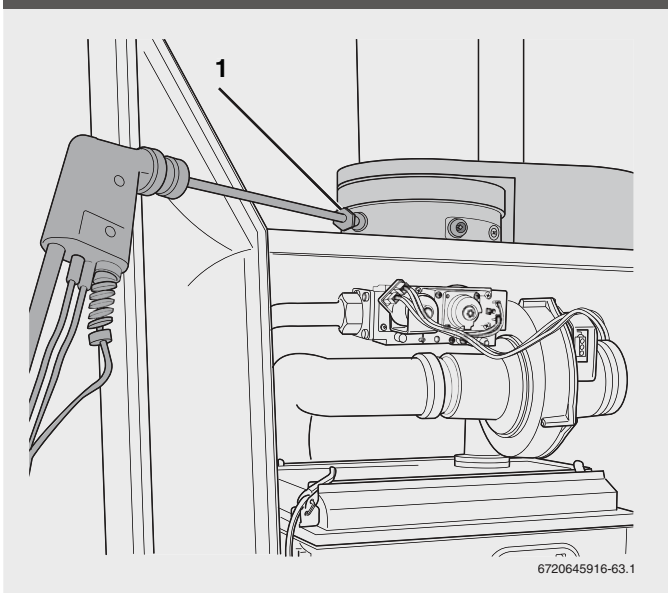
Bosch Group

Overview

To supplement the current Buderus GB162 80kW and 100kW boilers, two Low BTU versions of these appliances will be available for **September 2011**. The markets for these appliances will primarily be Colorado and other high altitude regions, but they can be used in areas where the BTU content of the gas is low.

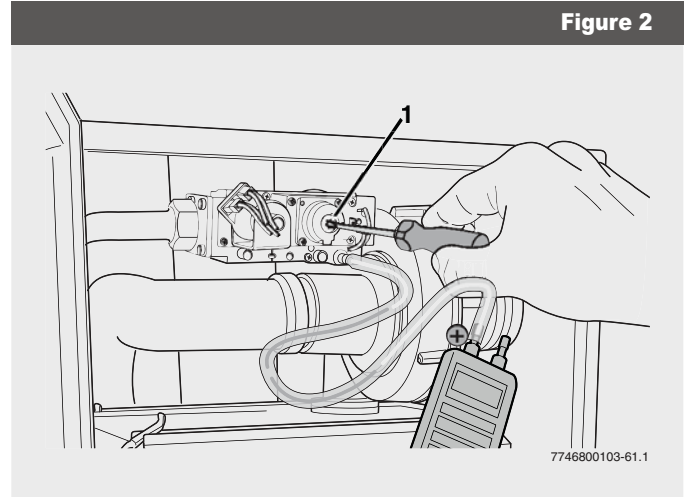
The main difference to that of the standard Buderus GB162 boilers is that the Low BTU boilers will contain an adjustable gas valve, and **it is essential that the boiler is set up with a combustion analyzer** (Fig.1, pos.1) at maximum and minimum load to ensure the boiler is operating safely and efficiently (Fig.2).

Figure 1



The full detailed boiler commissioning instructions are available in the installation manual (part number 6 720 645 916 (2010/10) US)

Figure 2



The “maximum” load is dependent on the quality of the gas (for example, 9.1% may be the greatest amount achievable) and the “minimum” load should be 1.5% below the maximum amount (see manual for full procedure).

The boiler product codes are:

- 7746 901 145
Buderus Logamax Plus 80 LB
- 7746 901 146
Buderus Logamax Plus 100 LB

Buderus

Bosch Group

Bosch Thermotechnology Corp.
50 Wentworth Ave
Londonderry, NH 03053
Tel: (800) 283-3787
Fax: (603) 584-1681
www.buderus.us