

# Propane Conversion Kit Instructions

## Logano G334 X gas-fired boiler

This conversion kit and the accompanying instructions are for conversion of G334 X gas-fired boilers from natural gas to propane.

### Required Input Rates

G334 X-73 301 MBtu/hr	G334 X-92 378 MBtu/hr	G334 X-116 476 MBtu/hr	G334 X-132 541 MBtu/hr
--------------------------	--------------------------	---------------------------	---------------------------

#### WARNING!

This conversion kit is intended for use by a qualified service company only as specified by the manufacturer's instructions and the current applicable rules and regulations of the local authorities and the regulations of NFPA54, CAN/CGA B149.1 and 2, Installation Code, must also be observed. If these instructions are not followed exactly, a fire, explosion or release of carbon monoxide may occur with serious property damage or loss of life and serious injury. The heating contractor is liable for correct conversion of the heating system with this conversion kit.



#### CAUTION!

Before converting the heating system to a different type of gas the gas line must first be shut off and then the power to the heating system must be disconnected.



Note: Please keep these instructions for future reference.

Please read carefully before conversion

Buderus

- 1 Safety . . . . . 3**
  - 1.1 Correct use . . . . . 3
  - 1.2 Notes structure. . . . . 3
  - 1.3 Please observe these notes. . . . . 3
- 2 Scope of delivery . . . . . 3**
- 3 Conversion to propane . . . . . 4**
- 4 Start-up instructions . . . . . 9**
  - 4.1 Making boiler ready for operation . . . . . 10
  - 4.2 Then carry out start-up procedures. . . . . 11

# 1 Safety

Observe these instructions for your safety.

## 1.1 Correct use

The conversion set is supplied for conversion of the G334X gas-fired heater from natural gas to propane.

## 1.2 Notes structure

Additional symbols for identification of dangers and user instructions.



**WARNING!**

### RISK TO LIFE

Identifies possible dangers emanating from a product, which might lead to serious injury or death if appropriate care is not taken.



**WARNING!**

### RISK TO LIFE

from electric shock.



### USER NOTE

Tip for the optimum utilization and setting of the control(s) plus other useful information.

## 1.3 Please observe these notes



**WARNING!**

### RISK TO LIFE

from explosion of flammable gases.

- Never work on gas lines unless you are licensed for this type of work.



**WARNING!**

### RISK TO LIFE

from electric shock.

- Disconnect the power supply to the heating system before conducting any work on it, e.g. switch off the heating emergency switch outside the boiler room.
- It is not sufficient just to switch off the control.

# 2 Scope of delivery

1. Honeywell gas solenoid valve conversion kit # 393 691, comprising:
  - black safety screw
  - pressure adjustment screw
  - red spring
  - yellow label for gas valve
2. 2 BBR 12 ignition gas orifices
3. main gas orifices and seals
4. unit label (to be filled out and attached to the unit)
5. Technical documents

### 3 Conversion to propane

Read the instructions before conversion for your safety.



**WARNING!**

#### RISK TO LIFE

due to not observing the attached conversion instructions.

- If you wish to convert the boiler for operation with propane, the conversion from natural gas to propane must be carried out first as specified by the attached conversion instructions.

#### The following instructions must be followed for conversion of the boiler to propane:

1. If the boiler has been operating, close the gas valve. Otherwise continue with step 3.
2. Disconnect heating system from the power supply and set the thermostat to the lowest setting.
3. Remove safety screws from the left and right side panels, then lift the front panel of the boiler and pull it forward.

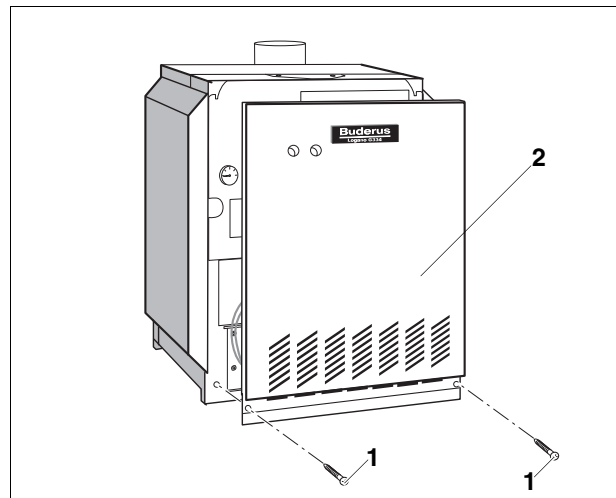


Fig. 1 Removing front panel of boiler

1 Screws

2 Boiler front panel

4. Turn gas valve ON/OFF button clockwise to OFF position. Do not use force.



**WARNING!**

#### RISK TO LIFE

from explosion of flammable gases.

- Wait five (5) minutes until all gas residues have dissipated. Check whether there is any smell of gas, including at floor level. If there is a gas odor: STOP! Follow instructions in section "B" of the safety instructions on Page 9. If there is no sign of a gas odor, continue with the next step.

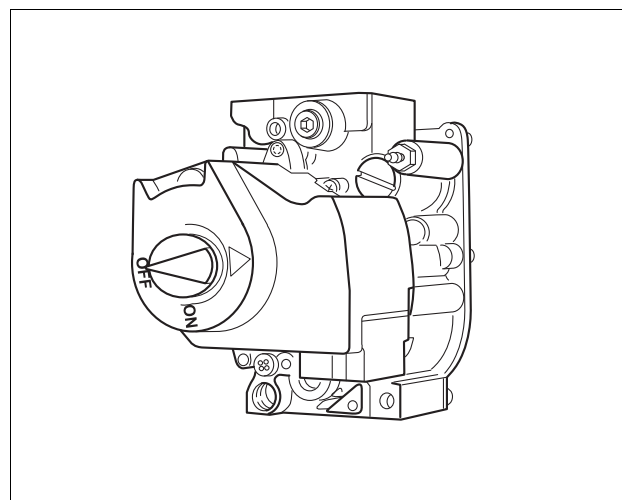
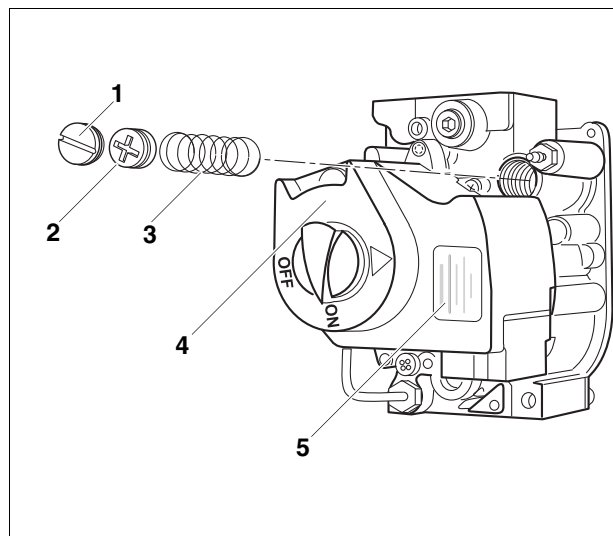


Fig. 2 Gas valve

**Replace main gas orifices**

5. Remove the safety screw for the orifice pressure adjustment on the gas valve.
6. Remove manifold pressure adjustment screw.
7. Remove stainless steel spiral spring.
8. Install the red spring from the Honeywell LP conversion kit in the gas valve.
9. Screw in the new gas adjustment screw from the Honeywell LP conversion kit until it is flush with the top of the gas valve.  
Then turn the manifold pressure adjustment screw six (6) full revolutions of 360° clockwise. This corresponds to a pressure preset of approx. 10.0 W.C. This setting must be checked with a pressure gauge on completion of the conversion.
10. Install new black safety screw from the Honeywell LP conversion kit.
11. Clean the gas valve housing and attach to yellow label from the Honeywell LP conversion kit to a visible spot on the gas valve.



*Fig. 3 Gas valve*

- 1 Safety screw
- 2 Manifold pressure adjustment screw
- 3 Stainless steel spiral spring
- 4 Gas valve
- 5 Yellow label

12. Disconnect pilot burner gas line from gas valve.
13. Disconnect ignition cable from automatic ignition.

**RISK TO LIFE**

due to incorrectly connected wiring.

**WARNING!**

- When conducting maintenance work label all cables before disconnecting them.

14. Label connection lines of flame roll-out switch and disconnect from the roll-out switch.
15. Disconnect connection lines to the gas valve.
16. Tie gas line with wire or cord (secure).
17. Unscrew retaining screws on gas supply line and on burner. Place the gas connection pipe gasket in a safe place.
18. Check gasket for damage and replace if damaged.
19. Unscrew retaining nuts on burner plate and pull gas burner straight out.
20. When removing the burner make sure that the spacers remain on the studs.
21. Install the new main gas orifices and copper gasket. Check with → Tab. 1 that the correct orifices for operation of the boiler are installed.

Orifice sizes for propane				
Model	G334 X-73	G334 X-92	G334 X-116	G334 X-132
Orifice size	235	240	250	250
Number	5	6	7	8

Tab. 1 Orifice sizes

**USER NOTE**

These orifice sizes (Tab. 1) are exclusively for installations between 0-8500 feet above sea level. Follow the "Conversion instructions for high altitudes" for installations between 8501 and 12000 feet above sea level.

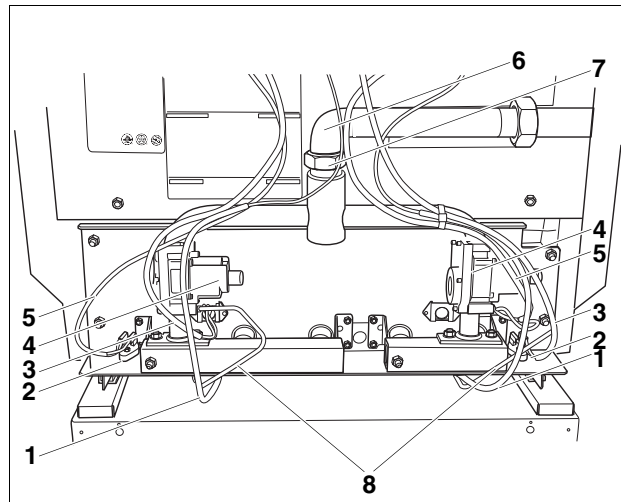


Fig. 4 Removing gas burner

- 1 Ignition cable
- 2 Flame roll-out switch
- 3 Connection lines to the gas valve
- 4 Gas valve
- 5 Connection lines to the flame roll-out switch
- 6 Gas supply line
- 7 Retaining screw on the gas feed line
- 8 Pilot burner gas line

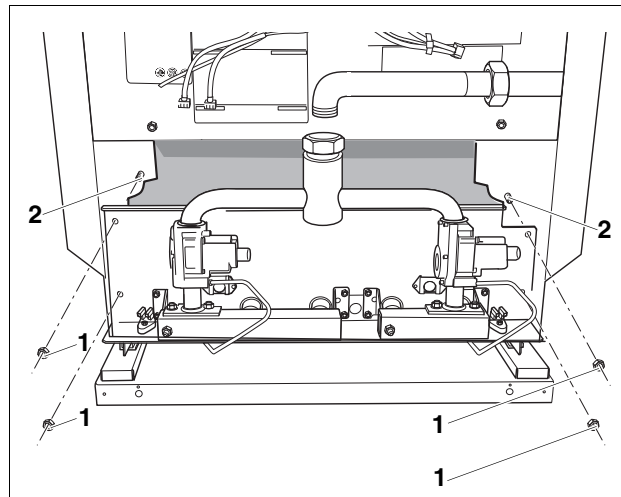


Fig. 5 Removing the gas burner

- 1 Fixing nuts
- 2 Threaded studs

22. Unscrew pilot burner unit from gas burner.
23. Disconnect ignition gas line from pilot burner.
24. Remove pilot burner orifice.
25. Place the new BBR 12 pilot burner orifice in the pilot burner assembly.
26. Screw the ignition gas line to the pilot burner assembly.
27. Install gas burners in boiler in reverse order of removal. Tighten the fixing nuts well.
28. Tighten the screws (→ Fig. 4 page 6) on the gas supply line and the burner again. Make sure that the connection pipe gasket removed in step 17 is replaced.
29. Check gasket for damage and replace if damaged.
30. Attach connection lines for the flame roll-out switch.
31. Remove wire or rope that was used to hold the gas supply line in step 16.
32. Connect pilot gas line (→ Fig. 4 page 6) to the gas valve again.
33. Connect ignition cables (→ Fig. 4 page 6) to the automatic igniters.
34. Enter the required information on the conversion label and attach on the outside of the boiler jacket as close as possible to the nameplate.

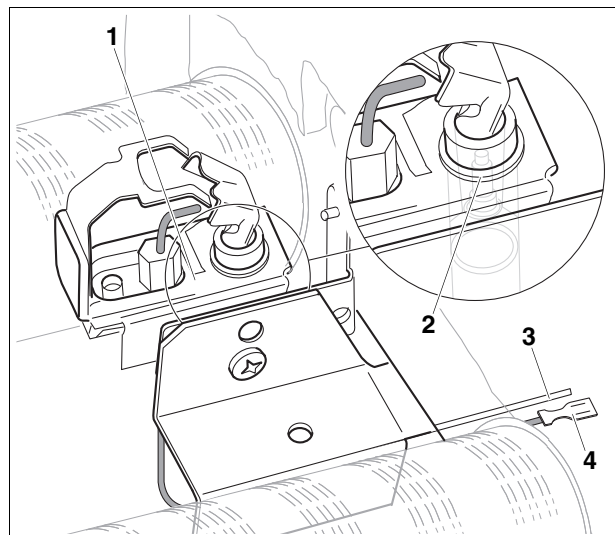


Fig. 6 Pilot burner assembly (cut-out view)

- 1 Pilot burner assembly
- 2 Pilot burner orifice
- 3 Pilot gas line
- 4 Ignition cable

### Carrying out leak test



#### USER NOTE

The boiler has two gas valves. Make all measurements and adjustments on both gas valves.

35. Open gas shut-off valve in the gas line.



#### SYSTEM DAMAGE

due to short-circuit.

#### CAUTION!

- Cover the hazardous locations before checking for leaks.
- Do not spray the leak solution on wiring openings, plugs or electrical connections. Do not allow the solution to drip on these locations.

36. Check the gas connection line to the gas valve for leaks with soap solution. If no leaks are found, continue with step 38. If any leaks are found, close gas shut-off valve.

37. Seal leaks and repeat step 36.

38. Close main gas shut-off valve. Remove the screw plug for the gas pressure measuring port on the gas valve. Install pressure measuring nipple and attach a manometer pressure gauge to measure the gas pressure.

39. Remove the screw plug for the manifold pressure measuring port on the gas valve. Install pressure measuring nipple and attach a manometer pressure gauge to measure the manifold pressure.

40. Open gas valve and measure the gas supply pressure of the boiler. The supply pressure for natural gas must be between 7" and 10.5" W.C. and between 11" and 13" W.C. for propane gas. If the supply pressure for natural gas is not between 7" and 10.5" W.C. and not between 11" and 13" W.C. for propane gas, contact the customer service technician or the gas company.

41. Always follow the start-up instructions on the next page.

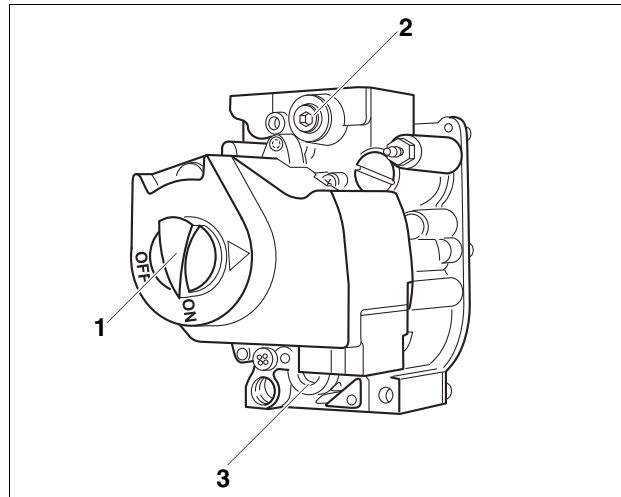


Fig. 7 Gas valve

- 1 ON/OFF button (at ON position)
- 2 Screw plug for gas supply pressure measuring port
- 3 Screw plug for manifold measuring port



## 4 Start-up instructions

Read the instructions before start-up for your safety.



**WARNING!**

### RISK TO LIFE

due to not observing the start-up instructions and resulting incorrect operation.

- If these instructions are not followed exactly, a fire or explosion may be caused with serious property damage or loss of life or serious injury.
- Observe the start-up instructions.



**WARNING!**

### DANGER OF EXPLOSION

If you smell gas there is a danger of explosion.

- No open flame. No smoking.
- Prevent spark formation.  
Do not operate electrical switches, including telephones, plugs or door bells.
- Shut off main gas supply valve.
- Open doors and windows.
- Warn other occupants of the building.
- Evacuate the building.
- Call gas company or fire department from outside the building.

- A** This unit is equipped with an igniter that automatically starts the pilot burner. Do not attempt to ignite it manually.
- B** Check for an odor of gas around the system. This test must also be conducted at floor level, because some types of gas are heavier than air and may accumulate at floor level.
- C** Switch on the ON/OFF switch on the gas valve by hand only. Never use a tool as assistance. If you cannot actuate the ON/OFF switch on the gas valve by hand, do not attempt to repair it. Contact a qualified technician. Any attempt to use force or to repair the switch may cause a fire or explosion.
- D** Do not operate the unit if any part is under water. Contact a qualified customer service technician immediately to have the unit checked and to replace the parts of the control and gas valves that were under water.

## 4.1 Making boiler ready for operation

**STOP!** First read the safety instructions on → page 9 of this manual.

1. Carry out leak test (→ page 8). Wait five (5) minutes until all gas residues have dissipated. Finally check whether there is any smell of gas, including at floor level. If there is a gas odor: STOP! Follow instructions in section “B” of the safety instructions on → page 9 of this manual. If there is no sign of a gas odor, continue with the next step.
2. Open main gas valve.

### 4.1.1 Placing heating system with aquastat control in operation

The boiler is fully functional with the factory-installed aquastat.

3. Switch on ON/OFF switch (building side) (ON position). This switches on the boiler with all its components. Then continue with step 7.
4. Make sure that the room thermostat signals a heat requirement (set thermostat at least 10 °F above room temperature).

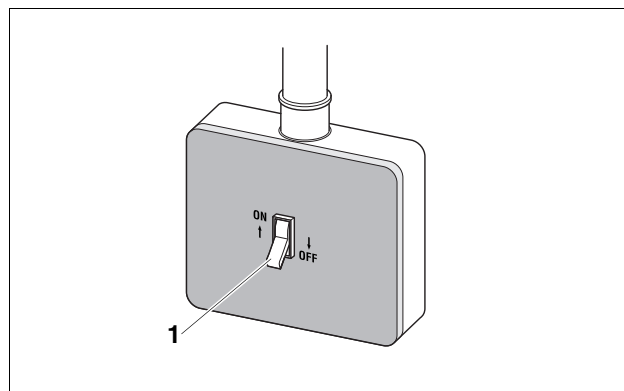


Fig. 8 Switching on heating system (with aquastat)

1 ON/OFF switch (main switch)

#### 4.1.2 Placing heating system with Logamatic 2107 (accessory) in operation

The boiler is fully functional with the factory-installed aquastat. The Logamatic 2107 control can also be installed in addition to the factory-installed aquastat.

Switch on the heating system with the ON/OFF switch on the control. The burner starts operating if heat is required (→ observe control service manual).

5. Make sure that heat is required at the control. Select “Manual operation” (hand symbol) with the mode selector switch.
6. Switch on ON/OFF switch (“I” position). Then continue with step 7.



#### USER NOTE

After carrying out the instructions for starting described below, the control must be set to “AUT” mode (automatic operation) with the mode selector.

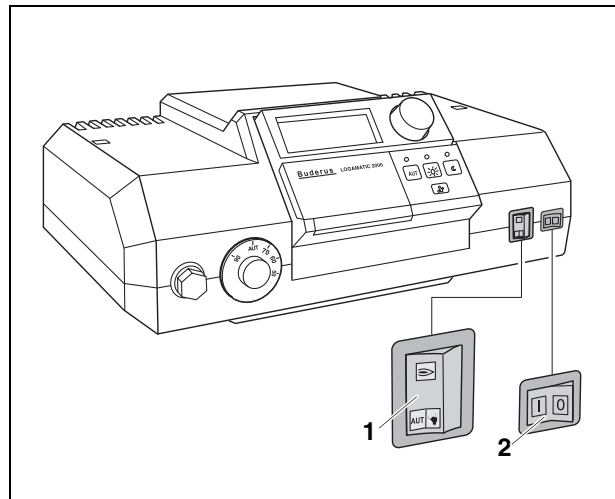


Fig. 9 Switching on heating system (with Logamatic 2107 control)

- 1 Mode selection switch
- 2 ON/OFF switch

#### 4.2 Then carry out start-up procedures.

The following start-up procedures must be carried out regardless of the control type.

7. Look at the igniter through the sight glass in the burner housing.

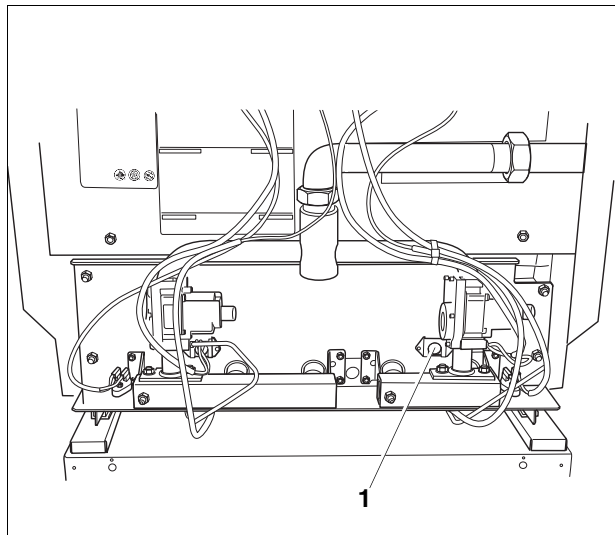


Fig. 10 Front view

- 1 Sight glass

8. Turn gas valve ON/OFF switch counterclockwise to ON position.
9. The automatic igniter must generate sparks towards the pilot burner. The pilot flame must appear and then ignite the main burner. If the main burner does not ignite, close the gas valve. Disconnect heating system from the power supply and inform your customer service technician or gas company.
10. If the main burner has ignited, the gas valve must be checked for leaks with soap solution. If no leaks are found, continue with step 12. If leaks have been found, switch ON/OFF switch on gas valve clockwise to the OFF position. Disconnect heating system from the power supply and set the thermostat to the lowest setting.
11. Seal leaks. Repeat steps 1 and 2 (regardless of the control in use).

**Caution:**

With aquastat control continue with steps 3 and 4, with the Logamatic 2107 continue with steps 5 and 6.

Then repeat steps 7 to 10 regardless of the control in use.

12. Check the gas supply pressure at the connection while the boiler is operating. The supply pressure for natural gas must be between 7" and 10.5" W.C. and between 11" and 13" W.C. for propane gas. Record the measured values in the commissioning protocol in the installation and maintenance instructions.

G334 X	Natural gas inch W.C.	Propane inch W.C.
73	4.4	10.4
92	4.4	10.3
116	4.1	10.3
132	4.2	10.2

Tab. 2 Manifold pressure

13. Check manifold pressure. The manifold pressure must be set in accordance with the values in → Tab. 2. To set the manifold pressure the cover (→ Fig. 11) on the gas valve must be removed. Turn the adjustment screw clockwise to increase the pressure and counterclockwise to reduce the pressure. This setting must be adjusted while the boiler is operating.
14. Record the set value in the commissioning protocol of the installation and maintenance instructions and screw the safety screw (→ Fig. 11 page 12) into the gas valve again.

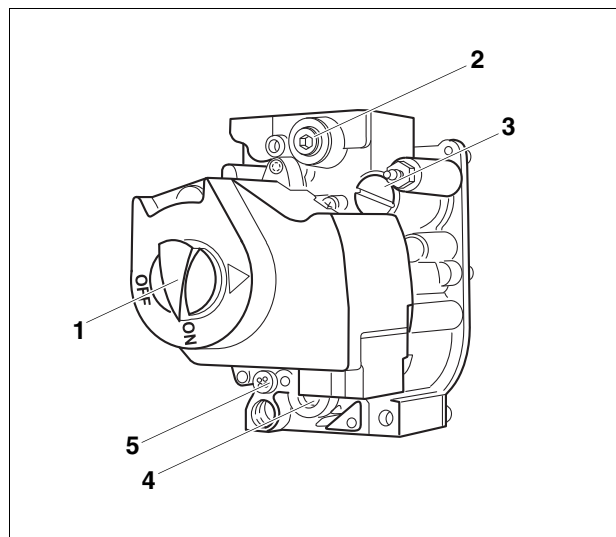


Fig. 11 Gas valve

- 1 ON/OFF button (at ON position)
- 2 Screw plug for gas supply pressure measuring port
- 3 Safety screw for inlet pressure setting
- 4 Screw plug for manifold measuring port
- 5 Safety screw for pilot pressure setting

15. Observe pilot flame through the sight glass (→ Fig. 10 page 11) in the burner housing.
16. The flame must envelope the flame guard 1/2 to 1 1/2 inches. If this is the case continue with step 20.
17. If the pilot flame is too small or too large, the pressure for the pilot must be adjusted with the corresponding adjustment screw.

**USER NOTE**

The adjustment screw is behind the pilot pressure adjustment safety screw (→ Fig. 11 page 12).

18. Remove safety screw for pilot pressure setting (→ Fig. 11 page 12). Turn the inner adjustment screw clockwise to reduce the pilot flame and counterclockwise to enlarge the pilot flame.
19. After adjustment tighten the pilot pressure adjustment safety screw (→ Fig. 11 page 12) again.
20. Observe main burner flame through the sight glass (→ Fig. 10 page 11) in the burner housing. The flame must have a steady and fixed contour and generally has a bluish color. If the main burner flame meets the requirements, proceed with step 21. If the main burner flame is too weak or is yellow or goes out, turn the ON/OFF switch (→ Fig. 11 page 12) on the gas valve clockwise to OFF. Close the gas valve and disconnect the heating system from the power supply and contact the customer service technician or the gas company.

**Checking ignition safety switch**

21. Test the safety switch by closing the gas shut-off valve. The main burner flame (→ Fig. 13) and the pilot flame (→ Fig. 12) are extinguished. After six (6) seconds at the most the main gas solenoid valve on the gas valve must close with an audible noise.
22. After 90 seconds the automatic igniter must switch to lock status and stop generating sparks.
23. Disconnect the heating system from the power supply. Open main gas shut-off valve. Switch on unit power supply. A normal operating cycle must follow.
24. If the gas valve operates correctly, proceed to step 25. If the gas valve does not operate correctly, switch ON/OFF switch (→ Fig. 14) on the gas valve clockwise to the OFF position immediately. Close main gas shut-off valve. Disconnect heating system from the power supply and inform the customer service technician or gas company.

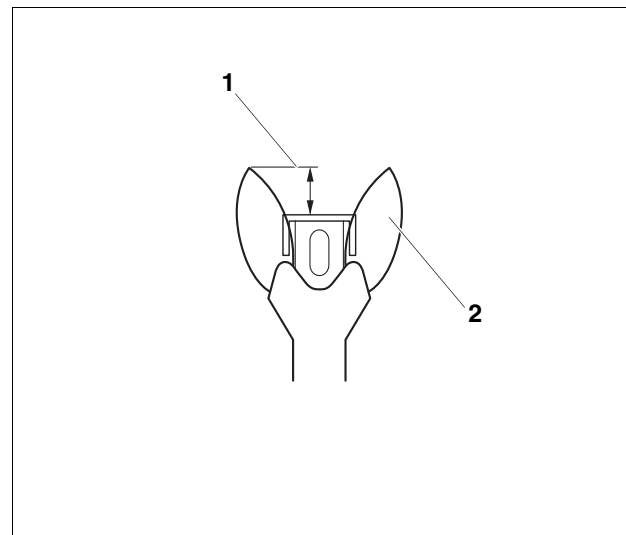


Fig. 12 Correct pilot flame setting

- 1 1/2 to 1 1/2 inches
- 2 Pilot flame

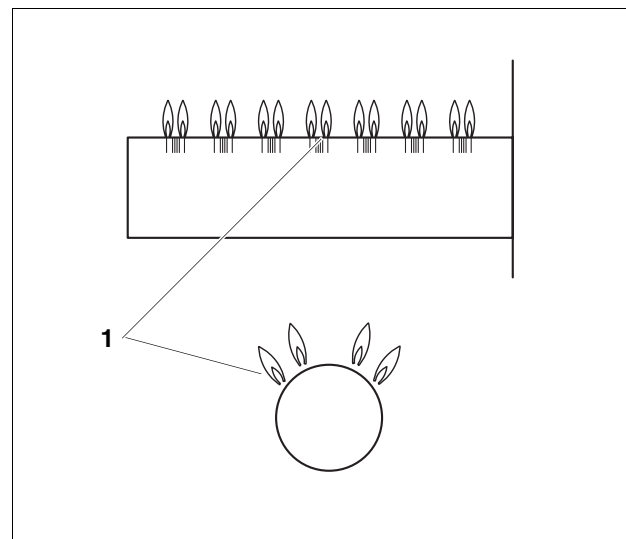


Fig. 13 Main burner

- 1 Main burner flame

25. Turn gas valve ON/OFF button clockwise to OFF position.
26. Close main gas shut-off valve.
27. Disconnect heating system from the power supply and set the thermostat to the lowest setting.
28. Remove pressure measuring nipple and pressure gauge for measuring gas supply pressure and manifold pressure from the gas valve and close the openings with the screw plugs.
29. Repeat steps 1 to 10 (depending on the control) and 20 to restart the heating system. Check the screw plugs for leaks with soap solution. If no leaks are found, continue with step 31. If leaks are found, close gas shut-off valve and switch ON/OFF button on gas valve clockwise to the OFF position. Disconnect the heating system from the power supply.
30. Seal leaks. Open gas shut-off valve and repeat step 24.
31. Carefully wipe away the soap solution to prevent corrosion caused by the alkali content of the soap.
32. Check the function of the maximum aquastat to make sure that it switches off the boiler as soon as the boiler water temperature set at the aquastat or the Logamatic 2107 control is reached. Record the result in the commissioning protocol of the installation and maintenance instructions.
33. Replace front panel of boiler.

#### With the Logamatic 2107 control only

34. Select AUT (automatic mode) with the mode selection switch.

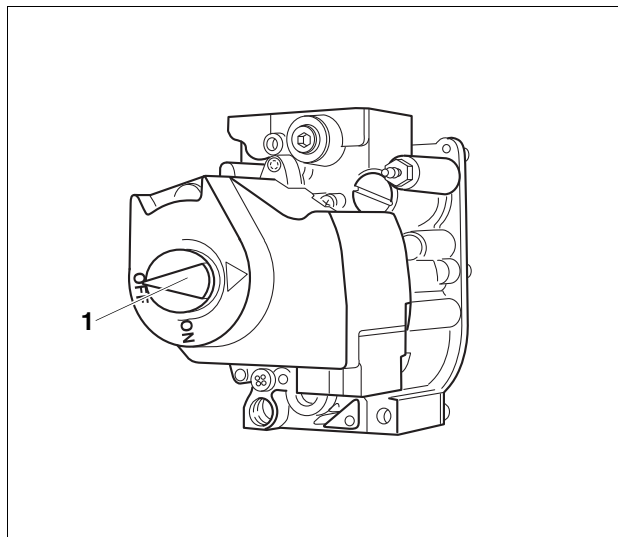


Fig. 14 Gas valve

1 ON/OFF button (at OFF position)



**United States and Canada**

Bosch Thermotechnology Corp.  
50 Wentworth Avenue  
Londonderry, NH 03053  
Tel. 603-552-1100  
Fax 603-965-7581  
[www.buderus.us](http://www.buderus.us)  
U.S.A.

Products manufactured by  
Bosch Thermotechnik GmbH  
Sophienstrasse 30-32  
D-35576 Wetzlar  
[www.buderus.com](http://www.buderus.com)

Bosch Thermotechnology Corp. reserves the right  
to make changes without notice due to continuing  
engineering and technological advances.

**Buderus**