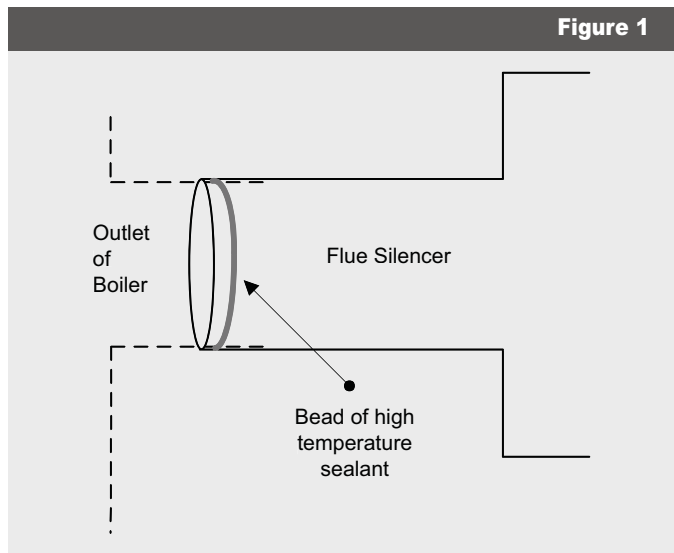


Technical service bulletin Flue Silencer Installation Instructions

Compact Muffler Installation Instructions

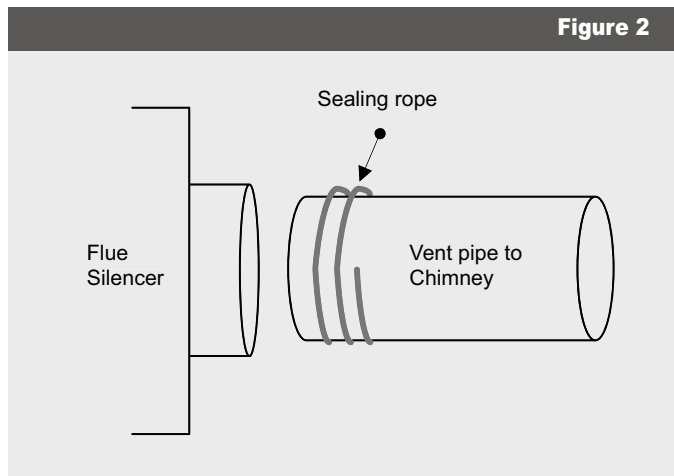
Boiler side connection – Fig. 1

- Slide long flue connection of Flue Silencer onto outlet of boiler or onto vent pipe coming from the boiler.
- Secure the Flue Silencer to the outlet of boiler or vent pipe and seal with high temperature silicone.



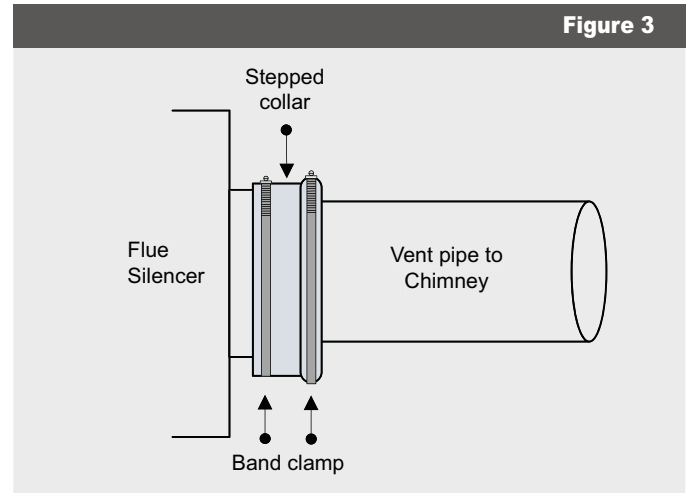
Chimney side connection – Fig. 2

- Wrap 3/8" sealing rope around vent pipe.
- Slide vent pipe into Flue Silencer outlet until against factory installed sealing rope stops.



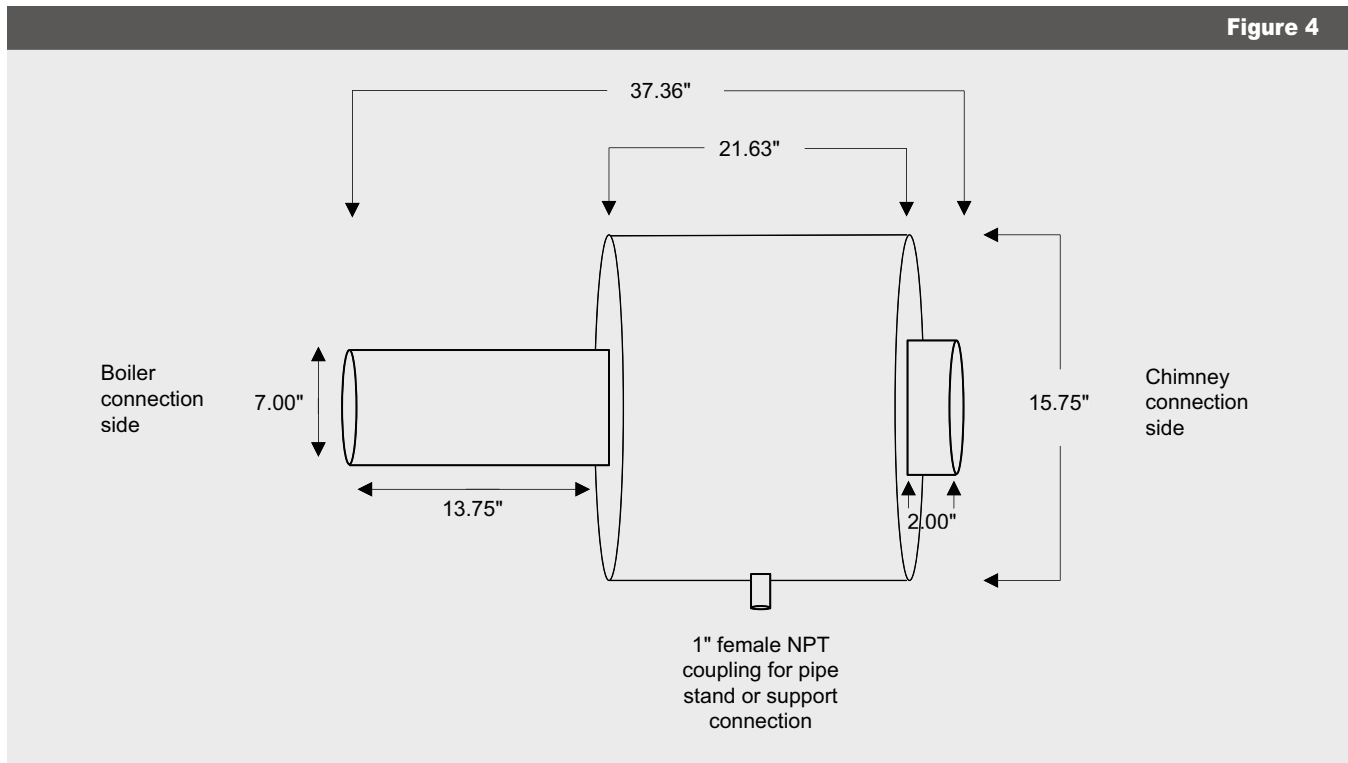
Completed installation Fig. 3

- Wrap the stepped collar over connection (thin side on Flue Silencer, bulb side over vent pipe) and secure with two band clamps provided.
- Do not over tighten clamp over vent pipe.



- **Minimum clearance to combustions is 18".**
- Flue silencer can be mounted in the horizontal or vertical position.
- If a barometric damper is being used it must be between the flue silencer and chimney.

Flue Silencer dimensions - Fig. 4



Buderus

Bosch Thermotechnology Corp.
50 Wentworth Ave
Londonderry, NH 03053
Tel: (800) 283-3787
Fax: (603) 965-7581
www.buderus.us