

4

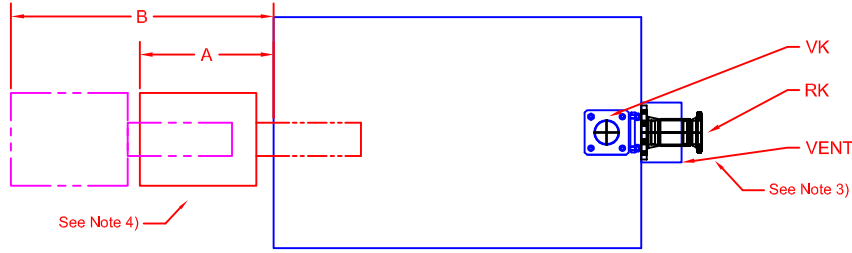
3

2

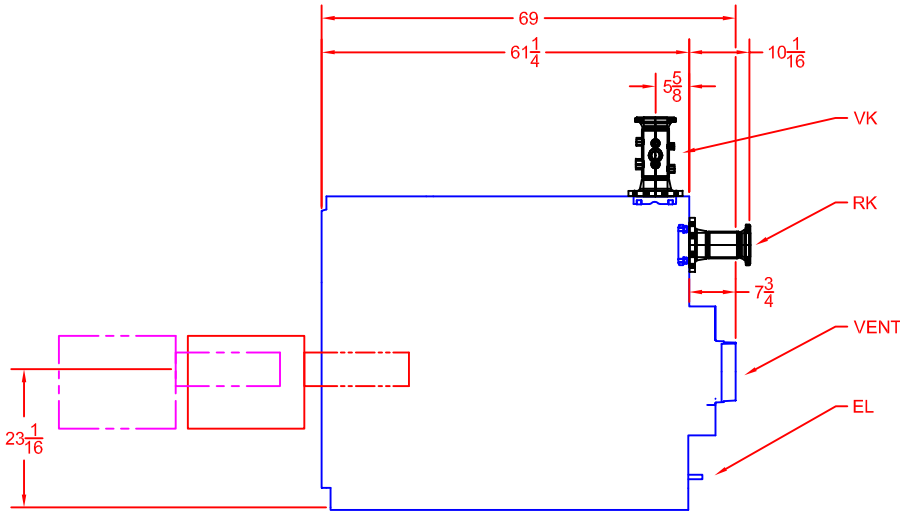
1

REVISIONS

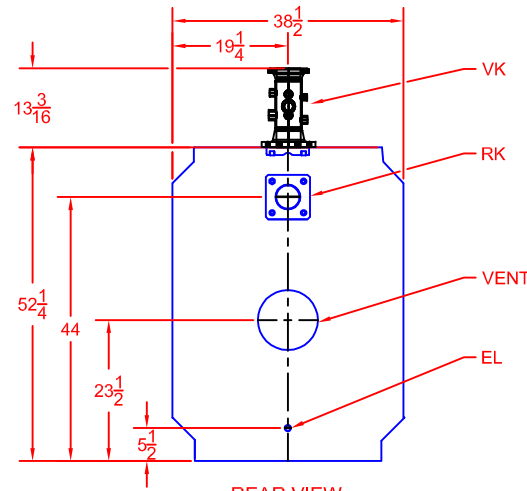
REV	DESCRIPTION	DATE	APPROVED
A	Released	5/12/2009	



PLAN VIEW



SIDE VIEW



REAR VIEW

G515-8 (1009 MBH)									
Oil									
Riello	A	B	Power Flame	A	B	Beckett	A	B	
RL28/2	31 3/4	45 5/8	C1-0	30 7/8	34 1/8	CF1400	23 1/4	29 1/4	

Legend		
ABR.	Name	Size
VK	Supply	4
RK	Return 1	4
EL	Boiler Drain	3/4

NOTE 1. 'A' Dimension is to the back of the burner.
 'B' Dimension is the extraction dimension.

- 2. All dimensions are in inches.
- 3. Manifold provided, field assembly required.
- 4. Burner shipped separately; field assembly required.

Bosch Thermotechnology Corp.
 50 Wentworth Ave.
 Londonderry, NH 03053
 Phone: 603-552-1100

Tolerance
 Fraction=±1/4"
 x.x=±0.030
 x.xx=±0.015
 x.xxx=±0.005

(UNLESS OTHERWISE NOTED)

This drawing is the exclusive property of Bosch Thermotechnology Corporation, it may not be reproduced or given to third parties.

Drawn By:
 M SPIRIDIGLOZZI
 Approved By:
 J MILLS



Bosch Thermotechnology Corp.

DESCRIPTION
G515-8 BOILER BURNER SPECIFICATION

SIZE	SCALE	PART NO.	REV.
A	$\frac{3}{8} = 1'$	BTC 412006102	A
DATE 4/2/2009		SHEET 1 of 1	

4

3

2

1

4

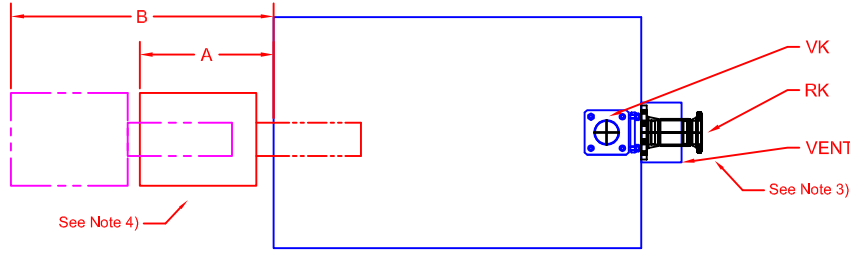
3

2

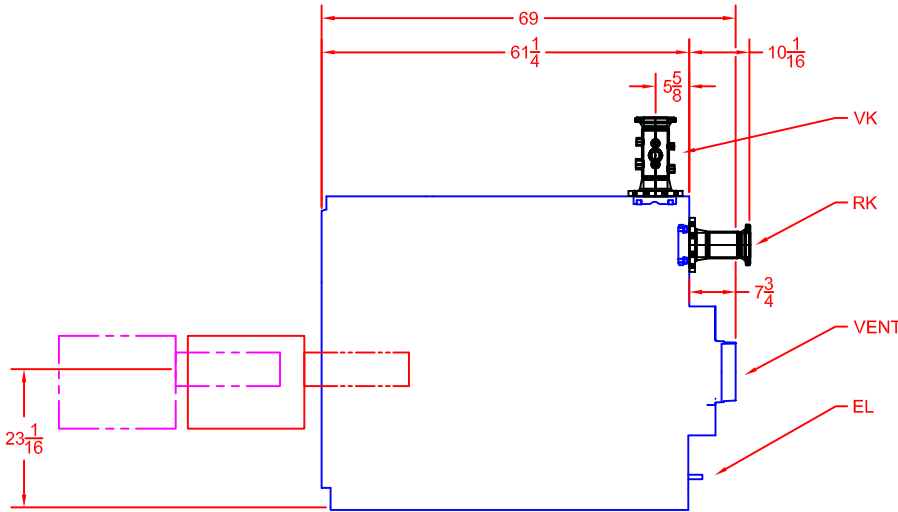
1

REVISIONS

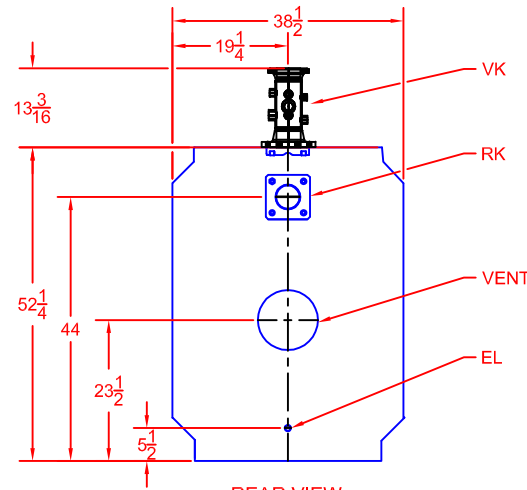
REV	DESCRIPTION	DATE	APPROVED
A	Released	5/12/2009	



PLAN VIEW



SIDE VIEW



REAR VIEW

G515-8 (1009 MBH)					
Combination					
Riello	A	B	Power Flame	A	B
RLS28	22 7/8	30 5/16	C1-GO-12	30 7/8	34 1/8

Legend		
ABR.	Name	Size
VK	Supply	4
RK	Return 1	4
EL	Boiler Drain	3/4

NOTE 1. 'A' Dimension is to the back of the burner.
 'B' Dimension is the extraction dimension.

- 2. All dimensions are in inches.
- 3. Manifold provided, field assembly required.
- 4. Burner shipped separately; field assembly required.

Bosch Thermotechnology Corp.
 50 Wentworth Ave.
 Londonderry, NH 03053
 Phone: 603-552-1100

Tolerance
 Fraction = ± 1/4"
 x.x = ± 0.030
 x.xx = ± 0.015
 x.xxx = ± 0.005

(UNLESS OTHERWISE NOTED)

This drawing is the exclusive property of Bosch Thermotechnology Corporation, it may not be reproduced or given to third parties.

Drawn By:
 M SPIRIDIGLOZZI
 Approved By:
 J MILLS

Buderus

Bosch Thermotechnology Corp.

Bosch Group

DESCRIPTION
G515-8 BOILER BURNER SPECIFICATION

SIZE	SCALE	PART NO.	REV.
A	$\frac{3}{8} = 1'$	BTC 412006102	A

DATE 4/2/2009

SHEET 1 of 1

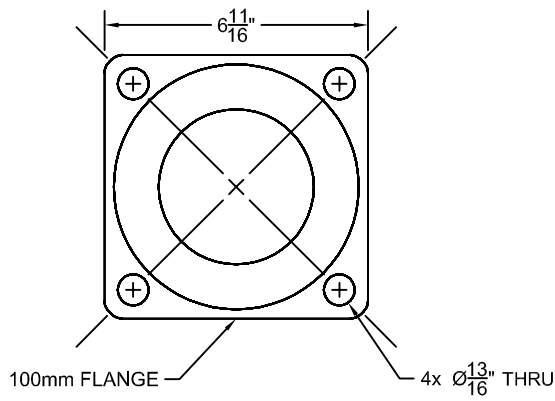
4

3

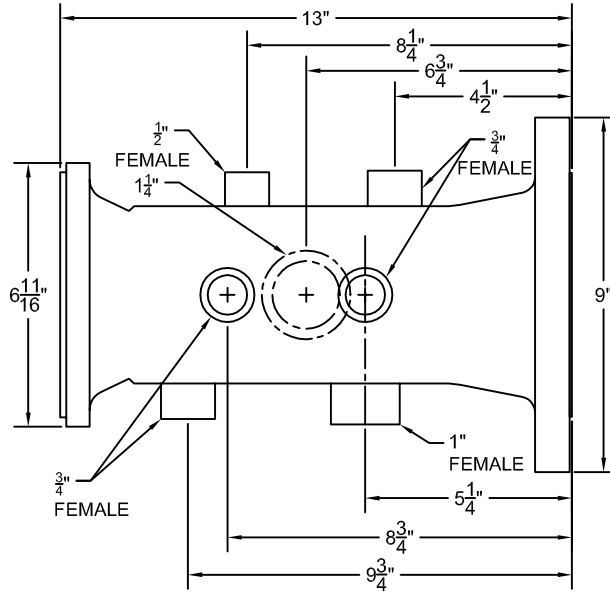
2

1

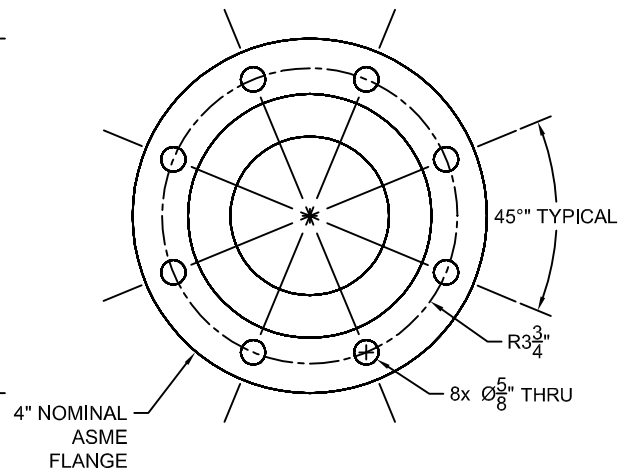
REVISIONS			
REV	DESCRIPTION	DATE	APPROVED
A	RELEASED	6/12/2009	



END VIEW



SIDE VIEW



END VIEW

NOTE
1. All dimensions are in inches.
2. All pipe sizes are NPT.

Bosch Thermotechnology Corp.
50 Wentworth Ave.
Londonderry, NH 03053
Phone: 603-552-1100

Tolerance

Fraction= $\pm \frac{1}{4}$ "
x.x= ± 0.030
x.xx= ± 0.015
x.xxx= ± 0.005

(UNLESS OTHERWISE NOTED)

This drawing is the exclusive property of Bosch Thermotechnology Corporation, it may not be reproduced or given to third parties.

Drawn By:
M SPIRIDIGLOZZI

Approved By:
J MILLS

Buderus
Bosch Group

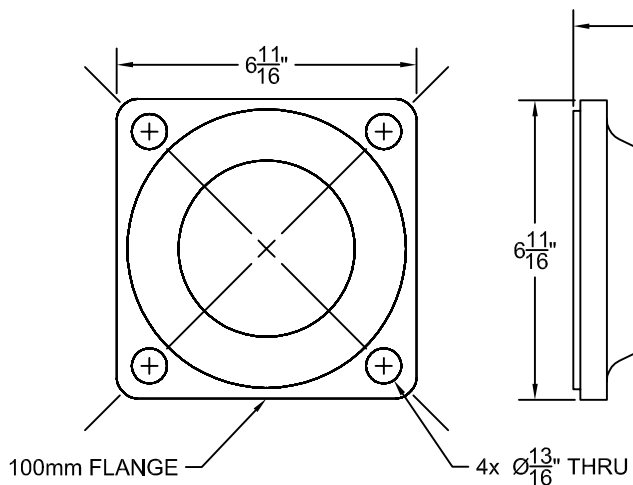
Bosch Thermotechnology Corp.

DESCRIPTION
G515 SUPPLY MANIFOLD SPECIFICATION

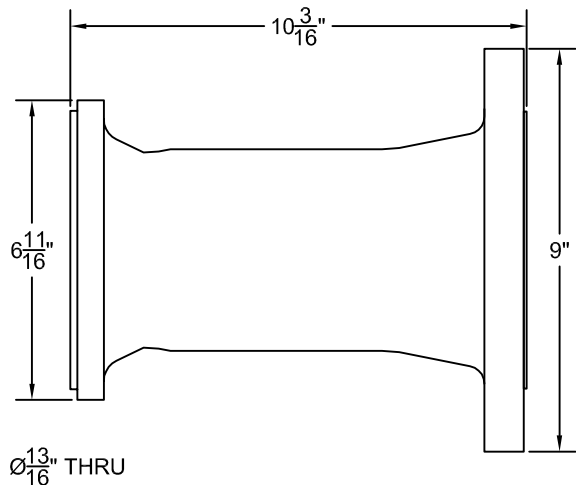
SIZE A	SCALE NTS	PART NO. BTC 412006113	REV. A
------------------	--------------	---------------------------	-----------

DATE 6/9/2009	SHEET 1 of 2
---------------	--------------

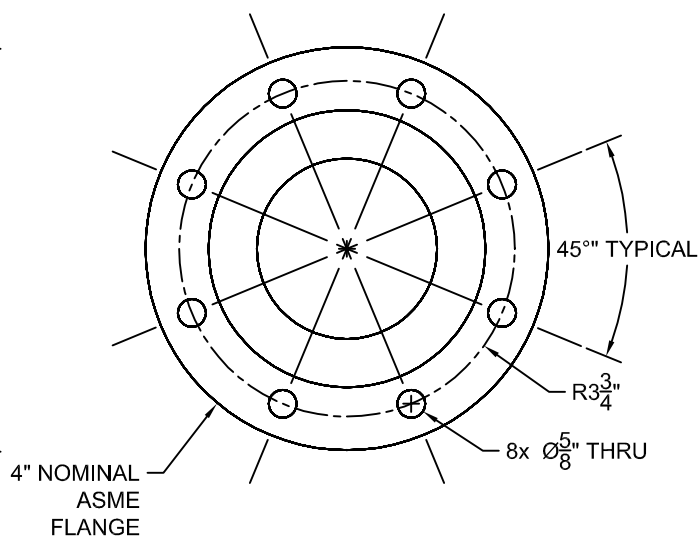
REVISIONS			
REV	DESCRIPTION	DATE	APPROVED
A	RELEASED	6/12/2009	



END VIEW



SIDE VIEW



END VIEW

NOTE
1. All dimensions are in inches.
2. All pipe sizes are NPT.

Bosch Thermotechnology Corp.
50 Wentworth Ave.
Londonderry, NH 03053
Phone: 603-552-1100

Tolerance
Fraction= $\pm \frac{1}{4}$ "
x.x= ± 0.030
x.xx= ± 0.015
x.xxx= ± 0.005
(UNLESS OTHERWISE NOTED)

This drawing is the exclusive property of Bosch Thermotechnology Corporation, it may not be reproduced or given to third parties.

Drawn By:
M SPIRIDIGLOZZI
Approved By:
J MILLS

Buderus
Bosch Group

Bosch Thermotechnology Corp.

DESCRIPTION
G515 RETURN MANIFOLD SPECIFICATION

SIZE A	SCALE NTS	PART NO. BTC 412006113	REV. A
------------------	--------------	---------------------------	-----------

DATE 6/9/2009 SHEET 2 of 2