

4

3

2

1

D

D

C

C

B

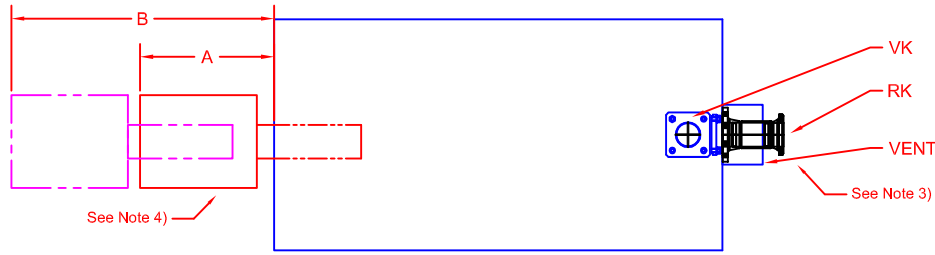
B

A

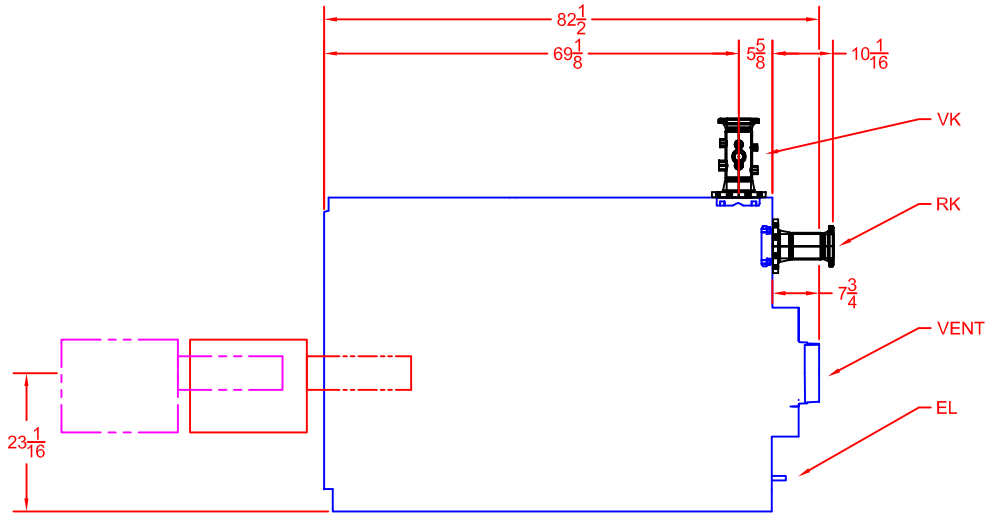
A

REVISIONS

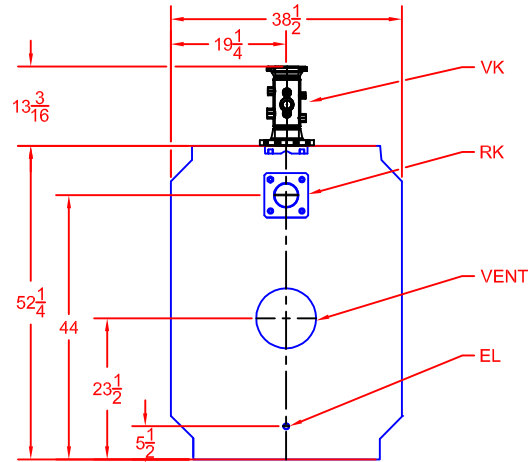
REV	DESCRIPTION	DATE	APPROVED
A	Released	5/12/2009	



PLAN VIEW



SIDE VIEW



REAR VIEW

G515-10 (1391 MBH)

Oil

Riello	A	B	Power Flame	A	B	Beckett	A	B
RL38/2	31 3/4	45 5/8	C2-OA	35 1/8	39 1/8	CF2300A	23 1/4	29 1/4

Legend		
ABR.	Name	Size
VK	Supply	4
RK	Return 1	4
EL	Boiler Drain	3/4

NOTE 1. 'A' Dimension is to the back of the burner.
 'B' Dimension is the extraction dimension.

- 2. All dimensions are in inches.
- 3. Manifold provided, field assembly required.
- 4. Burner shipped separately; field assembly required.

Bosch Thermotechnology Corp.
 50 Wentworth Ave.
 Londonderry, NH 03053
 Phone: 603-552-1100

Tolerance
 Fraction=±1/4"
 x.x=±0.030
 x.xx=±0.015
 x.xxx=±0.005

(UNLESS OTHERWISE NOTED)

This drawing is the exclusive property of Bosch Thermotechnology Corporation, it may not be reproduced or given to third parties.

Drawn By:
 M SPIRIDIGLOZZI
 Approved By:
 J MILLS



Bosch Thermotechnology Corp.

DESCRIPTION
G515-10 BOILER BURNER SPECIFICATION

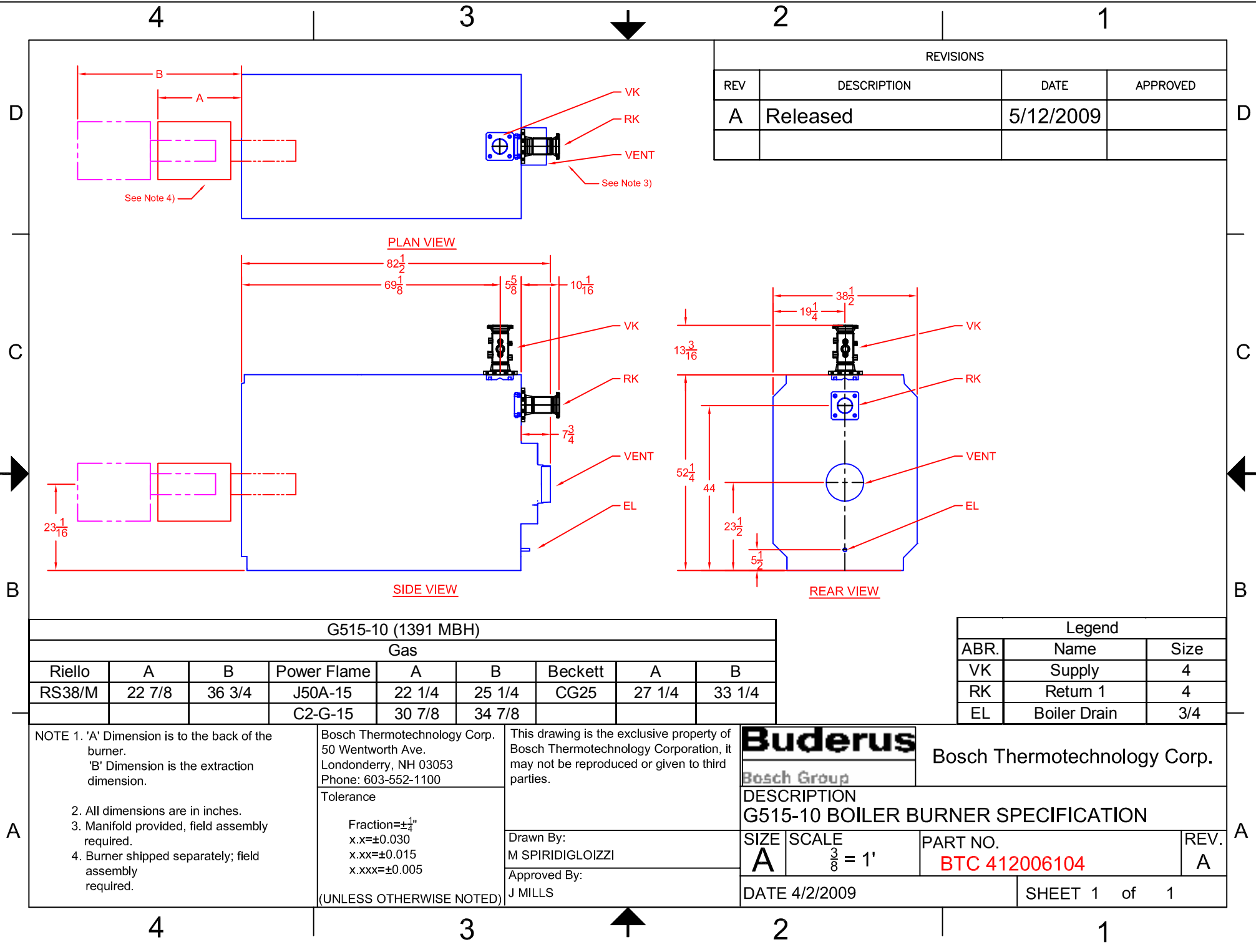
SIZE A	SCALE 3/8" = 1'	PART NO. BTC 412006104	REV. A
DATE 4/2/2009		SHEET 1 of 1	

4

3

2

1



REVISIONS			
REV	DESCRIPTION	DATE	APPROVED
A	Released	5/12/2009	

G515-10 (1391 MBH)								
Gas								
Riello	A	B	Power Flame	A	B	Beckett	A	B
RS38/M	22 7/8	36 3/4	J50A-15	22 1/4	25 1/4	CG25	27 1/4	33 1/4
			C2-G-15	30 7/8	34 7/8			

Legend		
ABR.	Name	Size
VK	Supply	4
RK	Return 1	4
EL	Boiler Drain	3/4

NOTE 1. 'A' Dimension is to the back of the burner.
 'B' Dimension is the extraction dimension.

2. All dimensions are in inches.
 3. Manifold provided, field assembly required.
 4. Burner shipped separately; field assembly required.

Bosch Thermotechnology Corp.
 50 Wentworth Ave.
 Londonderry, NH 03053
 Phone: 603-552-1100

Tolerance

Fraction=±1/4"
 x.x=±0.030
 x.xx=±0.015
 x.xxx=±0.005

(UNLESS OTHERWISE NOTED)

This drawing is the exclusive property of Bosch Thermotechnology Corporation, it may not be reproduced or given to third parties.

Drawn By:
 M SPIRIDIGLOZZI

Approved By:
 J MILLS

Buderus Bosch Thermotechnology Corp.

Bosch Group

DESCRIPTION
G515-10 BOILER BURNER SPECIFICATION

SIZE	SCALE	PART NO.	REV.
A	3/8" = 1"	BTC 412006104	A

DATE 4/2/2009 SHEET 1 of 1

4

3

2

1

D

D

C

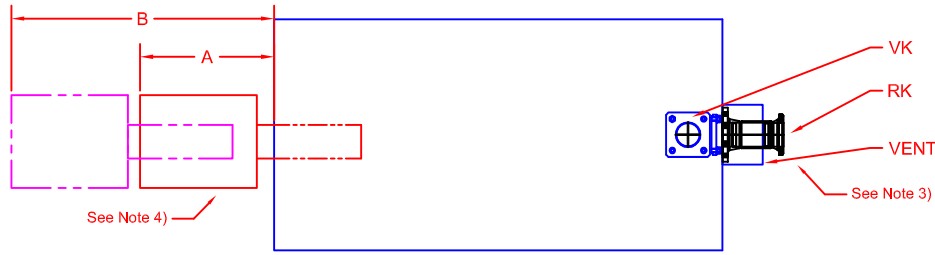
C

B

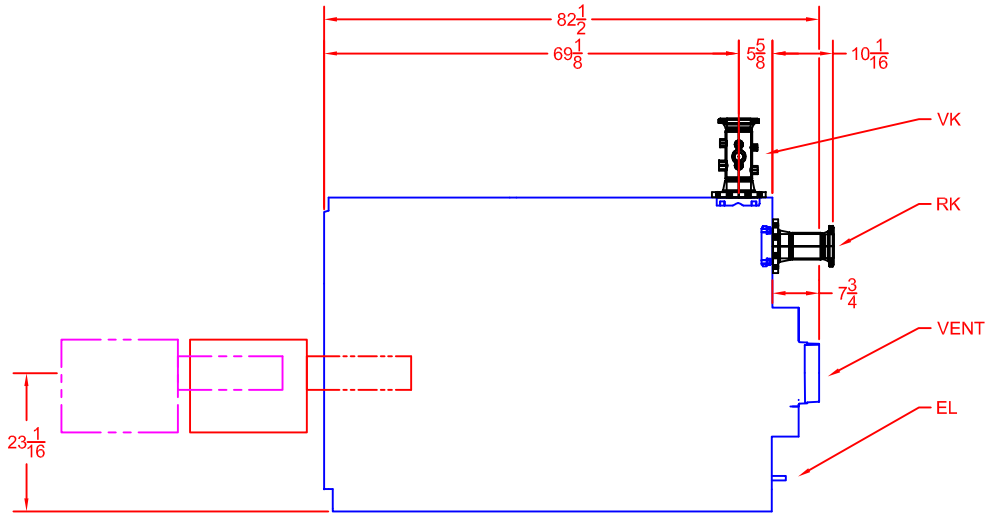
B

A

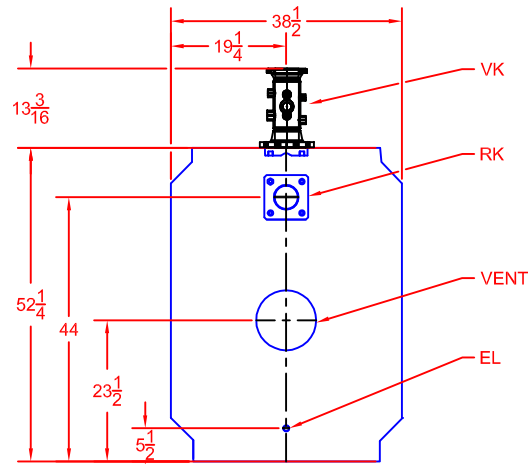
A



PLAN VIEW



SIDE VIEW



REAR VIEW

REVISIONS

REV	DESCRIPTION	DATE	APPROVED
A	Released	5/12/2009	

G515-10 (1391 MBH)

Combination

Riello	A	B	Power Flame	A	B
RLS38	22 7/8	30 13/16	C2-GO-15	35 1/8	39 1/8

Legend		
ABR.	Name	Size
VK	Supply	4
RK	Return 1	4
EL	Boiler Drain	3/4

NOTE 1. 'A' Dimension is to the back of the burner.
 'B' Dimension is the extraction dimension.

- 2. All dimensions are in inches.
- 3. Manifold provided, field assembly required.
- 4. Burner shipped separately; field assembly required.

Bosch Thermotechnology Corp.
 50 Wentworth Ave.
 Londonderry, NH 03053
 Phone: 603-552-1100

Tolerance
 Fraction=±1/4"
 x.x=±0.030
 x.xx=±0.015
 x.xxx=±0.005

(UNLESS OTHERWISE NOTED)

This drawing is the exclusive property of Bosch Thermotechnology Corporation, it may not be reproduced or given to third parties.

Drawn By:
 M SPIRIDIGLOZZI
 Approved By:
 J MILLS



Bosch Thermotechnology Corp.

DESCRIPTION
G515-10 BOILER BURNER SPECIFICATION

SIZE A	SCALE 3/8" = 1"	PART NO. BTC 412006104	REV. A
------------------	--------------------	----------------------------------	------------------

DATE 4/2/2009

SHEET 1 of 1

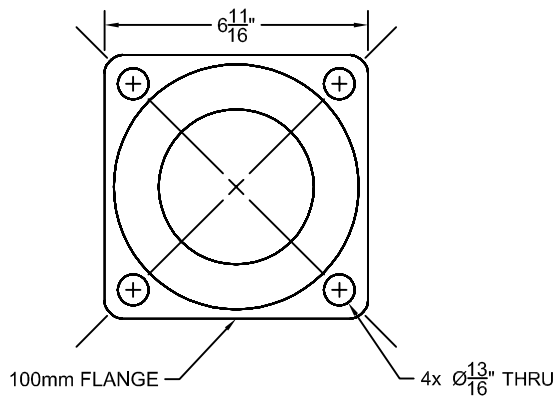
4

3

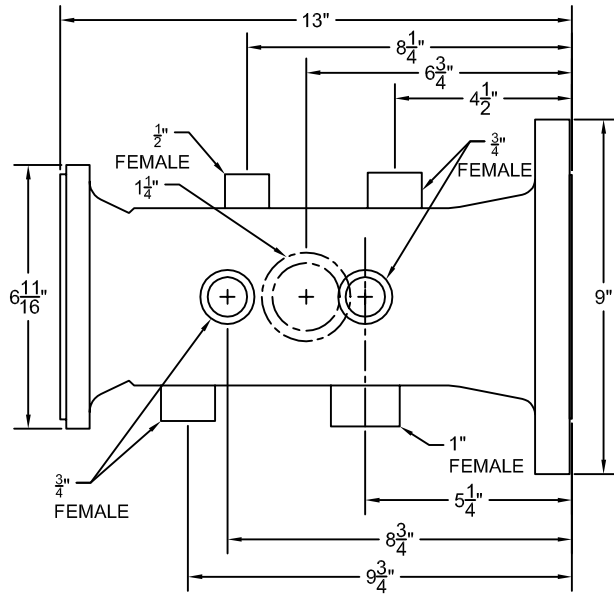
2

1

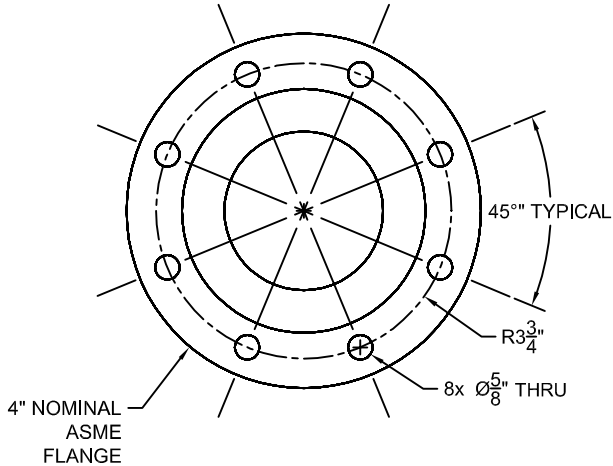
REVISIONS			
REV	DESCRIPTION	DATE	APPROVED
A	RELEASED	6/12/2009	



END VIEW



SIDE VIEW



END VIEW

NOTE
1. All dimensions are in inches.
2. All pipe sizes are NPT.

Bosch Thermotechnology Corp.
50 Wentworth Ave.
Londonderry, NH 03053
Phone: 603-552-1100

Tolerance

Fraction = $\pm \frac{1}{4}$ "
x.x = ± 0.030
x.xx = ± 0.015
x.xxx = ± 0.005

(UNLESS OTHERWISE NOTED)

This drawing is the exclusive property of Bosch Thermotechnology Corporation, it may not be reproduced or given to third parties.

Drawn By:
M SPIRIDIGLOZZI

Approved By:
J MILLS

Buderus

Bosch Thermotechnology Corp.

Bosch Group

DESCRIPTION
G515 SUPPLY MANIFOLD SPECIFICATION

SIZE
A

SCALE
NTS

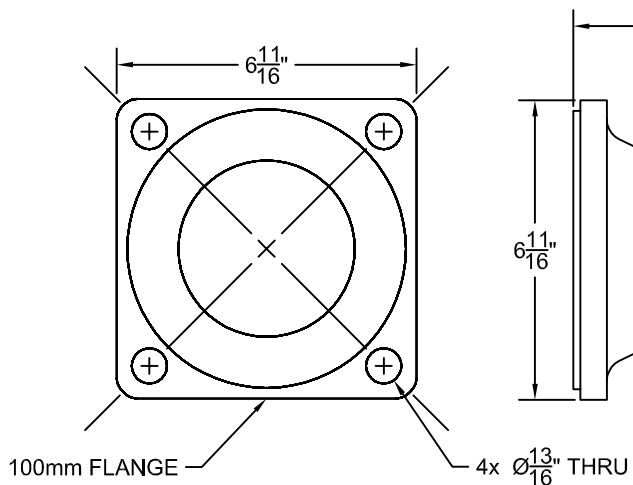
PART NO.
BTC 412006113

REV.
A

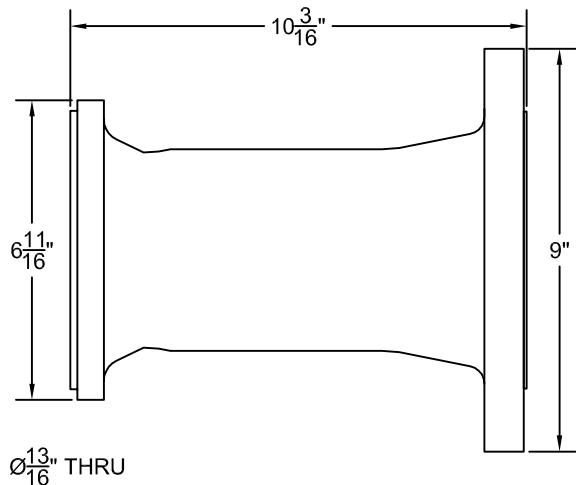
DATE 6/9/2009

SHEET 1 of 2

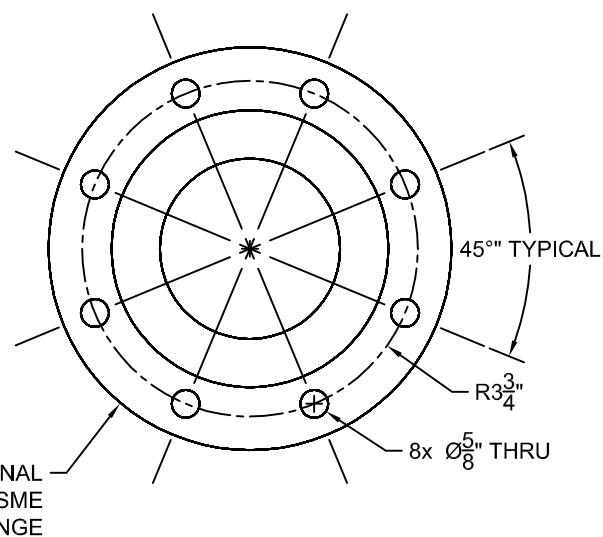
REVISIONS			
REV	DESCRIPTION	DATE	APPROVED
A	RELEASED	6/12/2009	



END VIEW



SIDE VIEW



END VIEW

NOTE
1. All dimensions are in inches.
2. All pipe sizes are NPT.

Bosch Thermotechnology Corp.
50 Wentworth Ave.
Londonderry, NH 03053
Phone: 603-552-1100

Tolerance
Fraction = $\pm \frac{1}{4}$ "
x.x = ± 0.030
x.xx = ± 0.015
x.xxx = ± 0.005
(UNLESS OTHERWISE NOTED)

This drawing is the exclusive property of Bosch Thermotechnology Corporation, it may not be reproduced or given to third parties.

Drawn By:
M SPIRIDIGLOZZI
Approved By:
J MILLS

Buderus
Bosch Group

Bosch Thermotechnology Corp.

DESCRIPTION
G515 RETURN MANIFOLD SPECIFICATION

SIZE A	SCALE NTS	PART NO. BTC 412006113	REV. A
------------------	--------------	---------------------------	-----------

DATE 6/9/2009 SHEET 2 of 2