

| REVISIONS | | | |
|-----------|-------------|-----------|----------|
| REV | DESCRIPTION | DATE | APPROVED |
| A | Released | 5/12/2009 | |

| | | | | | | | | |
|--------------------|--------|--------|-------------|--------|--------|---------|--------|--------|
| G515-11 (1582 MBH) | | | | | | | | |
| Oil | | | | | | | | |
| Riello | A | B | Power Flame | A | B | Beckett | A | B |
| RL50/2 | 31 3/4 | 45 5/8 | C2-OB | 35 1/8 | 39 1/8 | CF2300A | 23 1/4 | 29 1/4 |

| Legend | | |
|--------|--------------|------|
| ABR. | Name | Size |
| VK | Supply | 4 |
| RK | Return 1 | 4 |
| EL | Boiler Drain | 3/4 |

NOTE 1. 'A' Dimension is to the back of the burner.
 'B' Dimension is the extraction dimension.

2. All dimensions are in inches.
 3. Manifold provided, field assembly required.
 4. Burner shipped separately; field assembly required.

Bosch Thermotechnology Corp.
 50 Wentworth Ave.
 Londonderry, NH 03053
 Phone: 603-552-1100

Tolerance

Fraction=±1/4"
 x.x=±0.030
 x.xx=±0.015
 x.xxx=±0.005

(UNLESS OTHERWISE NOTED)

This drawing is the exclusive property of Bosch Thermotechnology Corporation, it may not be reproduced or given to third parties.

Drawn By:
 M SPIRIDIGLOZZI

Approved By:
 J MILLS

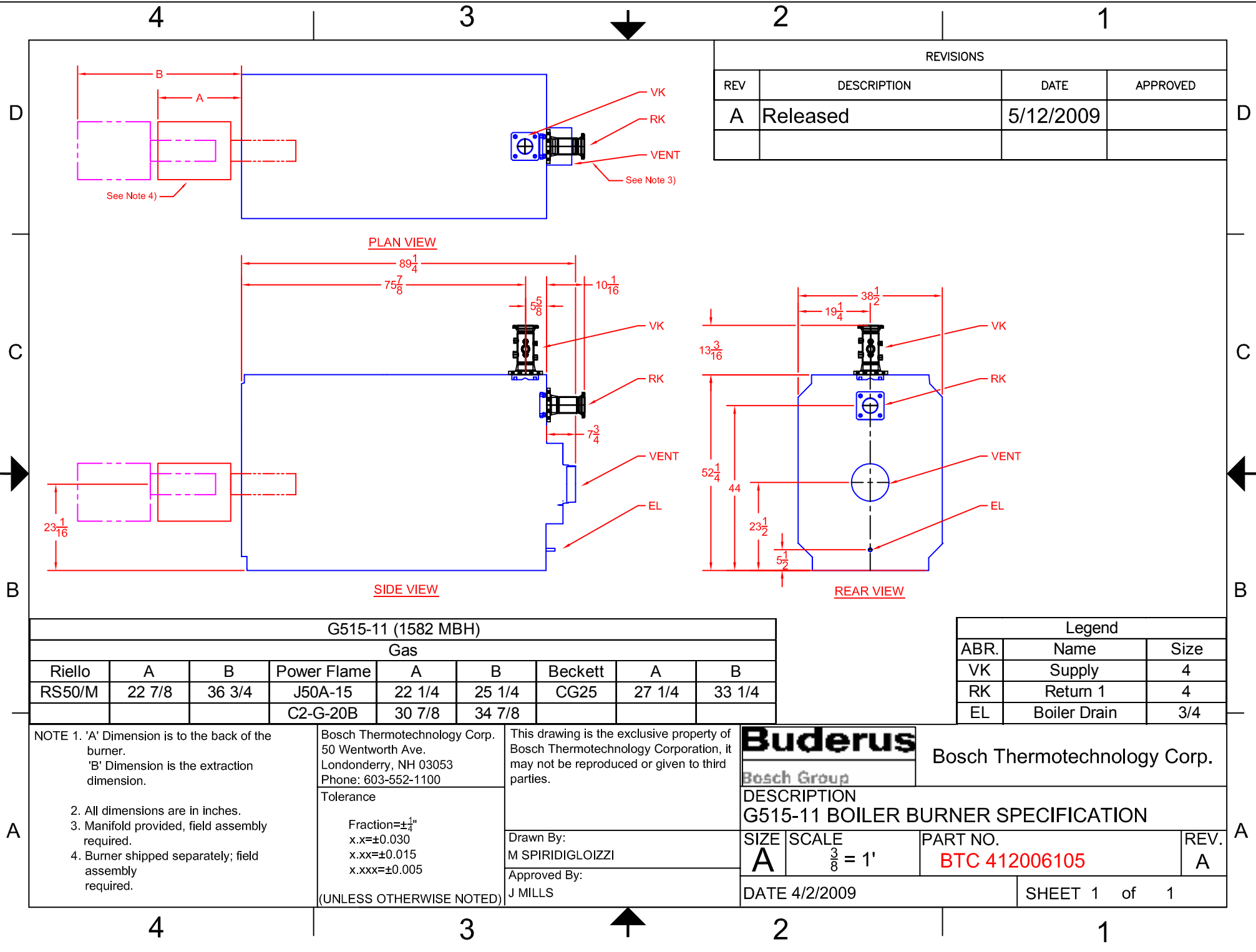
Buderus
 Bosch Group

Bosch Thermotechnology Corp.

DESCRIPTION
G515-11 BOILER BURNER SPECIFICATION

| | | | |
|------------------|--------------------|----------------------------------|------------------|
| SIZE A | SCALE 3/8" = 1" | PART NO. BTC 412006105 | REV. A |
|------------------|--------------------|----------------------------------|------------------|

DATE 4/2/2009 SHEET 1 of 1



| REVISIONS | | | |
|-----------|-------------|-----------|----------|
| REV | DESCRIPTION | DATE | APPROVED |
| A | Released | 5/12/2009 | |

| G515-11 (1582 MBH) | | | | | | | | |
|--------------------|--------|--------|-------------|--------|--------|---------|--------|--------|
| Gas | | | | | | | | |
| Riello | A | B | Power Flame | A | B | Beckett | A | B |
| RS50/M | 22 7/8 | 36 3/4 | J50A-15 | 22 1/4 | 25 1/4 | CG25 | 27 1/4 | 33 1/4 |
| | | | C2-G-20B | 30 7/8 | 34 7/8 | | | |

| Legend | | |
|--------|--------------|------|
| ABR. | Name | Size |
| VK | Supply | 4 |
| RK | Return 1 | 4 |
| EL | Boiler Drain | 3/4 |

NOTE 1. 'A' Dimension is to the back of the burner.
 'B' Dimension is the extraction dimension.

2. All dimensions are in inches.
 3. Manifold provided, field assembly required.
 4. Burner shipped separately; field assembly required.

Bosch Thermotechnology Corp.
 50 Wentworth Ave.
 Londonderry, NH 03053
 Phone: 603-552-1100

Tolerance

Fraction = $\pm\frac{1}{4}$ "
 x.x = ± 0.030
 x.xx = ± 0.015
 x.xxx = ± 0.005

(UNLESS OTHERWISE NOTED)

This drawing is the exclusive property of Bosch Thermotechnology Corporation, it may not be reproduced or given to third parties.

Drawn By:
 M SPIRIDIGLOZZI

Approved By:
 J MILLS

Buderus Bosch Thermotechnology Corp.

Bosch Group

DESCRIPTION
G515-11 BOILER BURNER SPECIFICATION

| | | | |
|------|--------------------|----------------------|------|
| SIZE | SCALE | PART NO. | REV. |
| A | $\frac{3}{8} = 1'$ | BTC 412006105 | A |

DATE 4/2/2009 SHEET 1 of 1

4

3

2

1

D

D

C

C

B

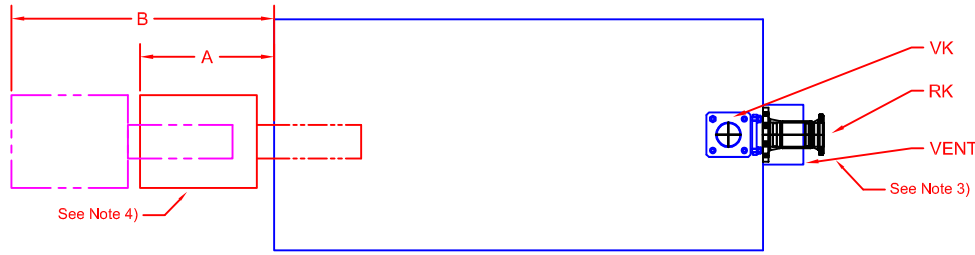
B

A

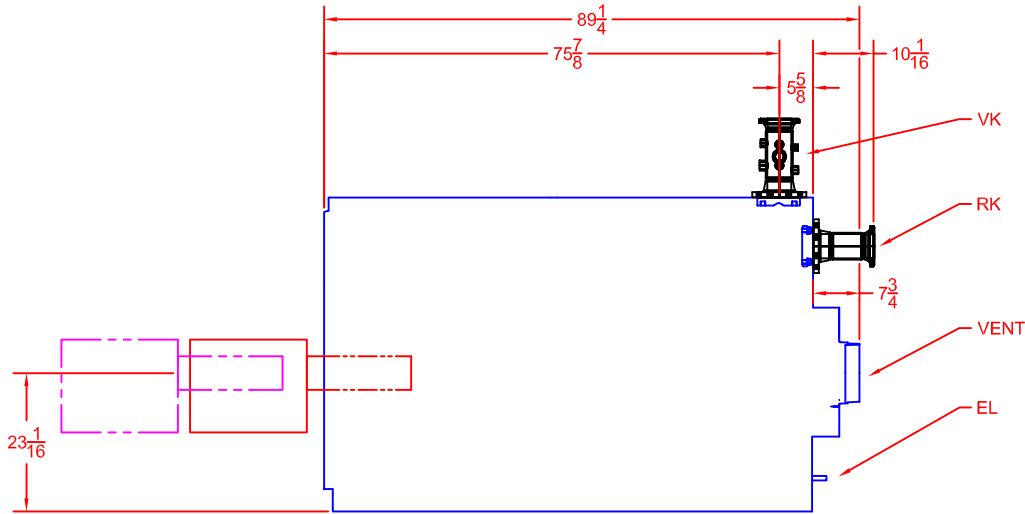
A

REVISIONS

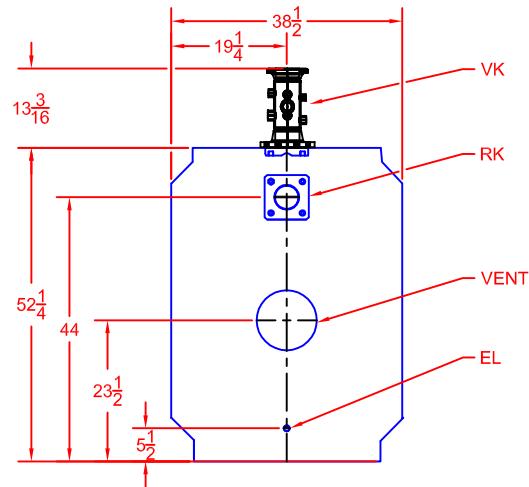
| REV | DESCRIPTION | DATE | APPROVED |
|-----|-------------|-----------|----------|
| A | Released | 5/12/2009 | |



PLAN VIEW



SIDE VIEW



REAR VIEW

| | | | | | |
|--------------------|--------|---------|-------------|--------|--------|
| G515-11 (1582 MBH) | | | | | |
| Combination | | | | | |
| Riello | A | B | Power Flame | A | B |
| RLS50 | 22 7/8 | 31 5/16 | C2-GO-20B | 35 1/8 | 39 1/8 |

| Legend | | |
|--------|--------------|------|
| ABR. | Name | Size |
| VK | Supply | 4 |
| RK | Return 1 | 4 |
| EL | Boiler Drain | 3/4 |

NOTE 1. 'A' Dimension is to the back of the burner.
 'B' Dimension is the extraction dimension.

- 2. All dimensions are in inches.
- 3. Manifold provided, field assembly required.
- 4. Burner shipped separately; field assembly required.

Bosch Thermotechnology Corp.
 50 Wentworth Ave.
 Londonderry, NH 03053
 Phone: 603-552-1100

Tolerance
 Fraction = ± 1/4"
 x.x = ± 0.030
 x.xx = ± 0.015
 x.xxx = ± 0.005
 (UNLESS OTHERWISE NOTED)

This drawing is the exclusive property of Bosch Thermotechnology Corporation, it may not be reproduced or given to third parties.

Drawn By:
 M SPIRIDIGLOZZI
 Approved By:
 J MILLS

Buderus
 Bosch Group

Bosch Thermotechnology Corp.

DESCRIPTION
 G515-11 BOILER BURNER SPECIFICATION

| | | | |
|------|-----------|---------------|------|
| SIZE | SCALE | PART NO. | REV. |
| A | 3/8" = 1" | BTC 412006105 | A |

DATE 4/2/2009

SHEET 1 of 1

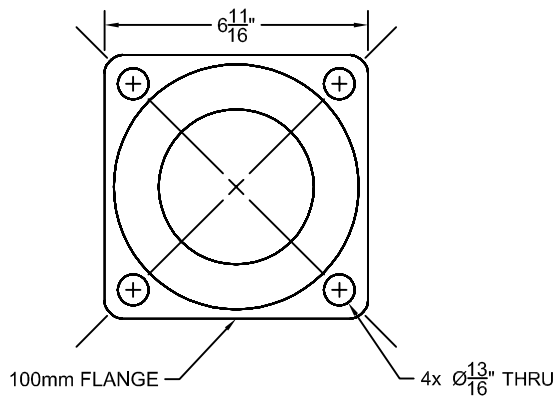
4

3

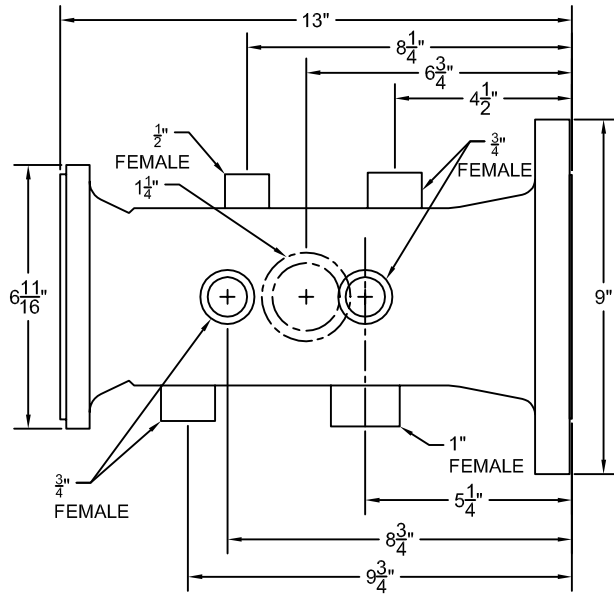
2

1

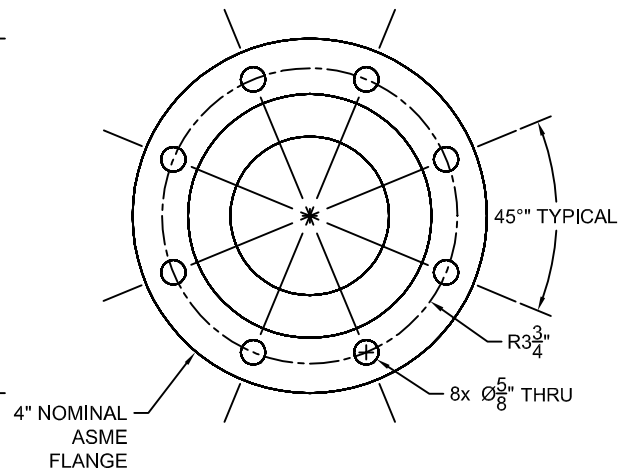
| REVISIONS | | | |
|-----------|-------------|-----------|----------|
| REV | DESCRIPTION | DATE | APPROVED |
| A | RELEASED | 6/12/2009 | |



END VIEW



SIDE VIEW



END VIEW

NOTE
1. All dimensions are in inches.
2. All pipe sizes are NPT.

Bosch Thermotechnology Corp.
50 Wentworth Ave.
Londonderry, NH 03053
Phone: 603-552-1100

Tolerance

Fraction = $\pm \frac{1}{4}$ "
x.x = ± 0.030
x.xx = ± 0.015
x.xxx = ± 0.005

(UNLESS OTHERWISE NOTED)

This drawing is the exclusive property of Bosch Thermotechnology Corporation, it may not be reproduced or given to third parties.

Drawn By:
M SPIRIDIGLOZZI

Approved By:
J MILLS

Buderus

Bosch Group

Bosch Thermotechnology Corp.

DESCRIPTION
G515 SUPPLY MANIFOLD SPECIFICATION

SIZE
A

SCALE
NTS

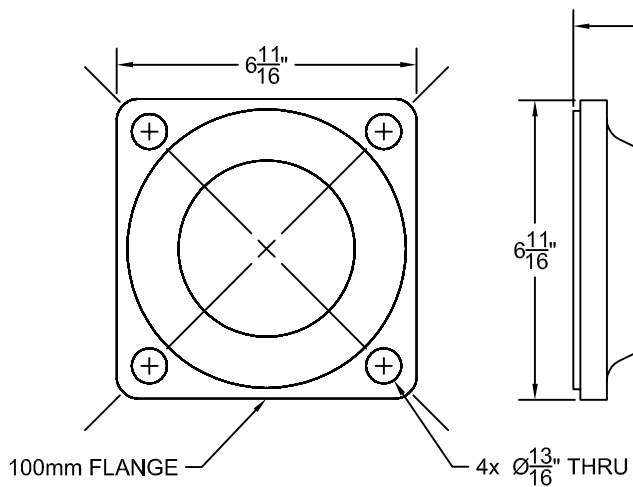
PART NO.
BTC 412006113

REV.
A

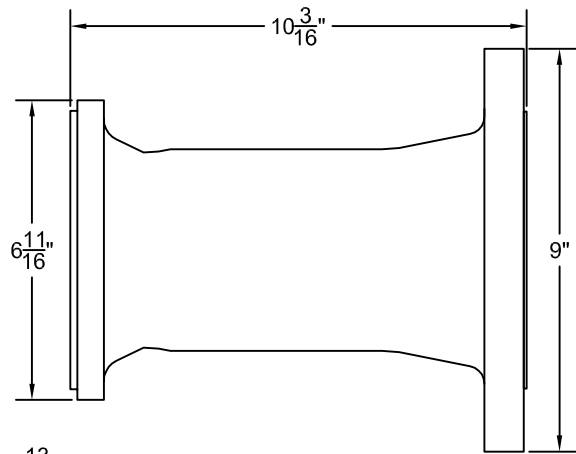
DATE 6/9/2009

SHEET 1 of 2

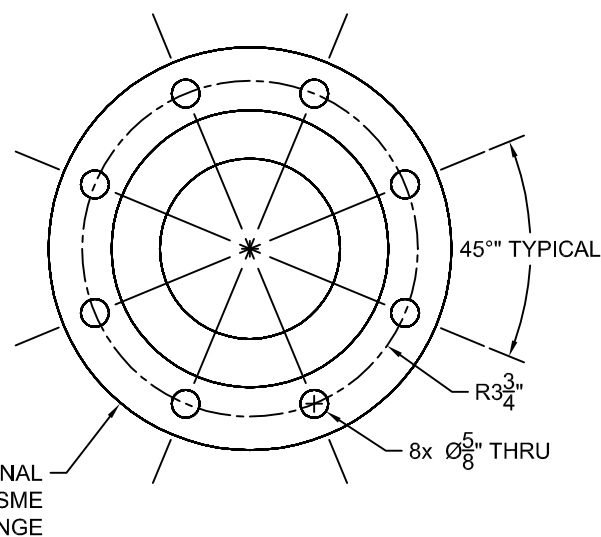
| REVISIONS | | | |
|-----------|-------------|-----------|----------|
| REV | DESCRIPTION | DATE | APPROVED |
| A | RELEASED | 6/12/2009 | |



END VIEW



SIDE VIEW



END VIEW

NOTE
1. All dimensions are in inches.
2. All pipe sizes are NPT.

Bosch Thermotechnology Corp.
50 Wentworth Ave.
Londonderry, NH 03053
Phone: 603-552-1100

Tolerance
Fraction = $\pm \frac{1}{4}$ "
x.x = ± 0.030
x.xx = ± 0.015
x.xxx = ± 0.005
(UNLESS OTHERWISE NOTED)

This drawing is the exclusive property of Bosch Thermotechnology Corporation, it may not be reproduced or given to third parties.

Drawn By:
M SPIRIDIGLOZZI
Approved By:
J MILLS

Buderus
Bosch Group

Bosch Thermotechnology Corp.

DESCRIPTION
G515 RETURN MANIFOLD SPECIFICATION

| | | | |
|------------------|--------------|---------------------------|-----------|
| SIZE A | SCALE NTS | PART NO. BTC 412006113 | REV. A |
|------------------|--------------|---------------------------|-----------|

DATE 6/9/2009 SHEET 2 of 2