

4

3

2

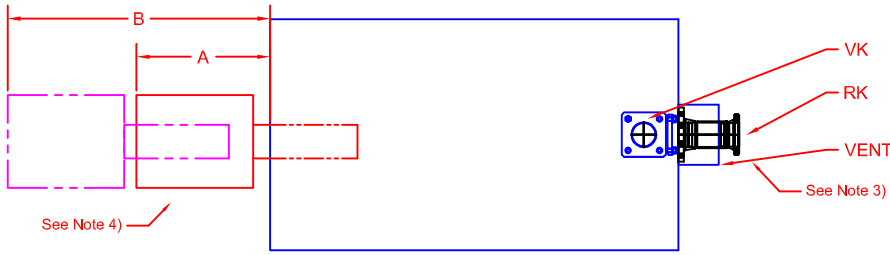
1

REVISIONS

| REV | DESCRIPTION | DATE | APPROVED |
|-----|-------------|-----------|----------|
| A | Released | 5/12/2009 | |

D

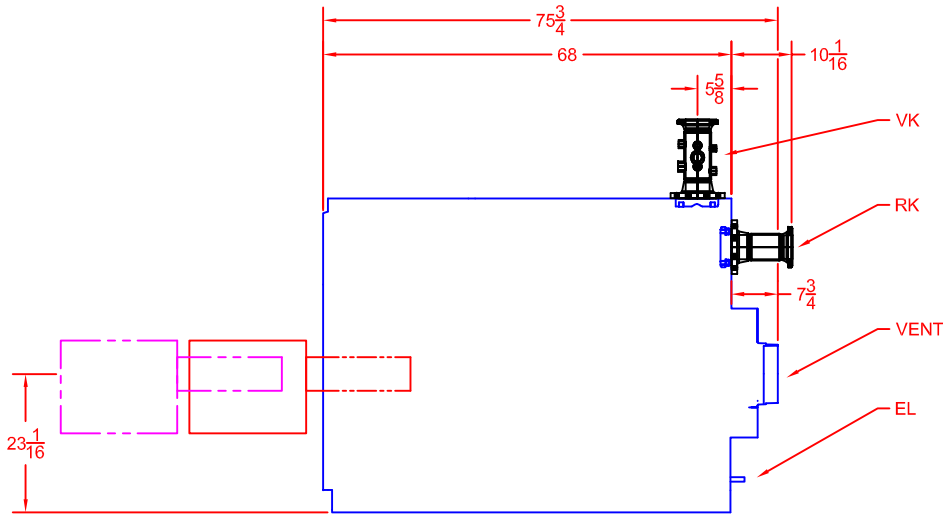
D



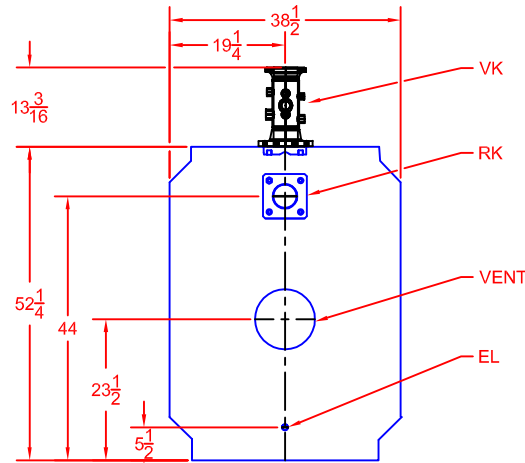
PLAN VIEW

C

C



SIDE VIEW



REAR VIEW

B

B

G515-9 (1200 MBH)

Oil

| Riello | A | B | Power Flame | A | B | Beckett | A | B |
|--------|--------|--------|-------------|--------|--------|---------|--------|--------|
| RL38/2 | 31 3/4 | 45 5/8 | C2-OA | 35 1/8 | 39 1/8 | CF2300A | 23 1/4 | 29 1/4 |

| Legend | | |
|--------|--------------|------|
| ABR. | Name | Size |
| VK | Supply | 4 |
| RK | Return 1 | 4 |
| EL | Boiler Drain | 3/4 |

NOTE 1. 'A' Dimension is to the back of the burner.
 'B' Dimension is the extraction dimension.

- 2. All dimensions are in inches.
- 3. Manifold provided, field assembly required.
- 4. Burner shipped separately; field assembly required.

Bosch Thermotechnology Corp.
 50 Wentworth Ave.
 Londonderry, NH 03053
 Phone: 603-552-1100

Tolerance
 Fraction=±1/4"
 x.x=±0.030
 x.xx=±0.015
 x.xxx=±0.005
 (UNLESS OTHERWISE NOTED)

This drawing is the exclusive property of Bosch Thermotechnology Corporation, it may not be reproduced or given to third parties.

Drawn By:
 M SPIRIDIGLOZZI
 Approved By:
 J MILLS

Buderus
 Bosch Group

Bosch Thermotechnology Corp.

DESCRIPTION
G515-9 BOILER BURNER SPECIFICATION

| | | | |
|------------------|--------------------|----------------------------------|------------------|
| SIZE A | SCALE 3/8" = 1' | PART NO. BTC 412006103 | REV. A |
| DATE 4/2/2009 | | SHEET 1 of 1 | |

4

3

2

1

A

A

4

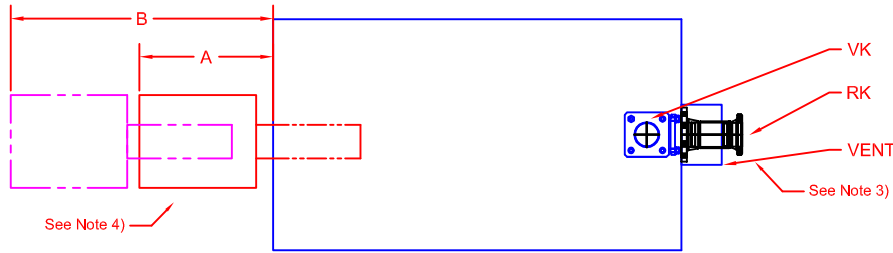
3

2

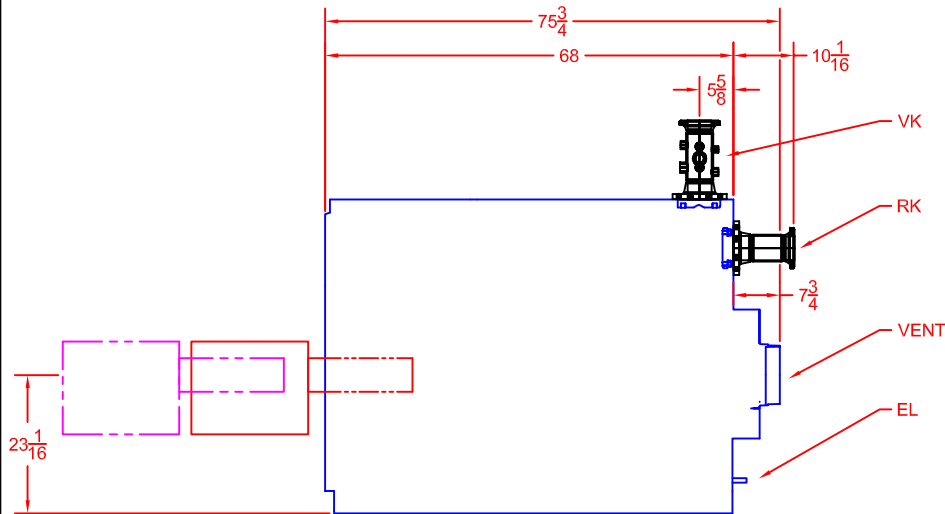
1

REVISIONS

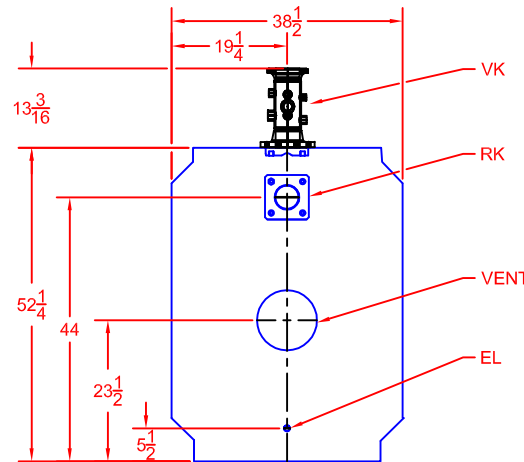
| REV | DESCRIPTION | DATE | APPROVED |
|-----|-------------|-----------|----------|
| A | Released | 5/12/2009 | |



PLAN VIEW



SIDE VIEW



REAR VIEW

G515-9 (1200 MBH)

Gas

| Riello | A | B | Power Flame | A | B | Beckett | A | B |
|--------|--------|--------|-------------|--------|--------|---------|--------|--------|
| RS38/M | 22 7/8 | 36 3/4 | J50A-15 | 26 | 25 1/4 | CG25 | 27 1/4 | 33 1/4 |
| | | | C2-G-15 | 30 7/8 | 34 7/8 | | | |

Legend

| ABR. | Name | Size |
|------|--------------|------|
| VK | Supply | 4 |
| RK | Return 1 | 4 |
| EL | Boiler Drain | 3/4 |

NOTE 1. 'A' Dimension is to the back of the burner.
'B' Dimension is the extraction dimension.

- All dimensions are in inches.
- Manifold provided, field assembly required.
- Burner shipped separately; field assembly required.

Bosch Thermotechnology Corp.
50 Wentworth Ave.
Londonderry, NH 03053
Phone: 603-552-1100

Tolerance

Fraction = $\pm \frac{1}{4}$ "
x.x = ± 0.030
x.xx = ± 0.015
x.xxx = ± 0.005

(UNLESS OTHERWISE NOTED)

This drawing is the exclusive property of Bosch Thermotechnology Corporation, it may not be reproduced or given to third parties.

Drawn By:
M SPIRIDIGLOZZI

Approved By:
J MILLS

Buderus

Bosch Thermotechnology Corp.

Bosch Group

DESCRIPTION

G515-9 BOILER BURNER SPECIFICATION

SIZE

A

SCALE

 $\frac{3}{8} = 1'$

PART NO.

BTC 412006103

REV.

A

DATE 4/2/2009

SHEET 1 of 1

4

3

2

1

4

3

2

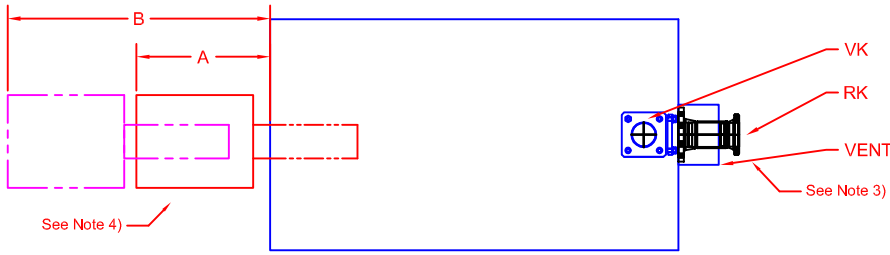
1

REVISIONS

| REV | DESCRIPTION | DATE | APPROVED |
|-----|-------------|-----------|----------|
| A | Released | 5/12/2009 | |

D

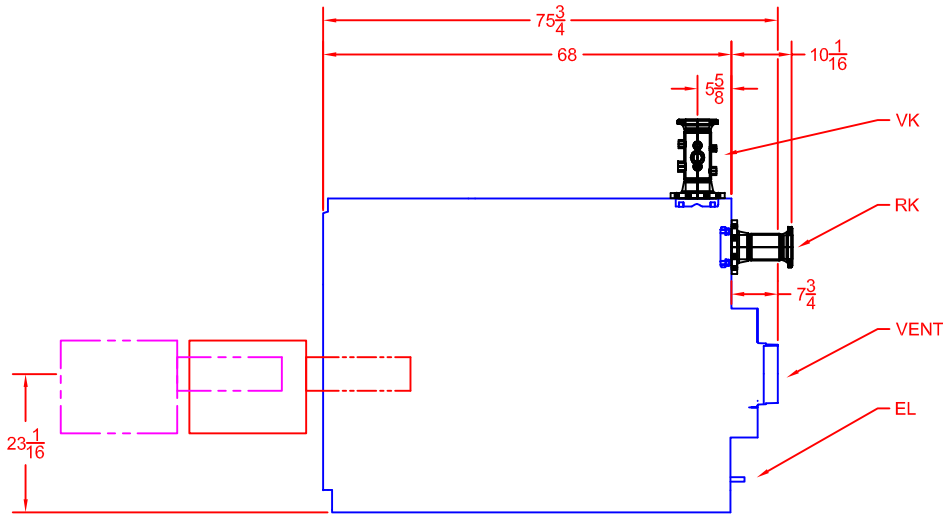
D



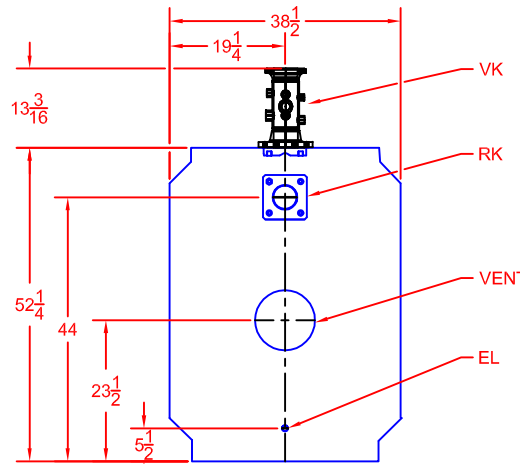
PLAN VIEW

C

C



SIDE VIEW



REAR VIEW

B

B

| | | | | | |
|-------------------|--------|----------|-------------|--------|--------|
| G515-9 (1200 MBH) | | | | | |
| Combination | | | | | |
| Riello | A | B | Power Flame | A | B |
| RLS38 | 22 7/8 | 30 13/16 | C2-GO-15 | 35 1/8 | 39 1/8 |

| Legend | | |
|--------|--------------|------|
| ABR. | Name | Size |
| VK | Supply | 4 |
| RK | Return 1 | 4 |
| EL | Boiler Drain | 3/4 |

NOTE 1. 'A' Dimension is to the back of the burner.
 'B' Dimension is the extraction dimension.

- 2. All dimensions are in inches.
- 3. Manifold provided, field assembly required.
- 4. Burner shipped separately; field assembly required.

Bosch Thermotechnology Corp.
 50 Wentworth Ave.
 Londonderry, NH 03053
 Phone: 603-552-1100

Tolerance
 Fraction=±1/4"
 x.x=±0.030
 x.xx=±0.015
 x.xxx=±0.005
 (UNLESS OTHERWISE NOTED)

This drawing is the exclusive property of Bosch Thermotechnology Corporation, it may not be reproduced or given to third parties.

Drawn By:
 M SPIRIDIGLOZZI
 Approved By:
 J MILLS

Buderus

Bosch Thermotechnology Corp.

Bosch Group

DESCRIPTION
G515-9 BOILER BURNER SPECIFICATION

| | | | |
|------|--------------------|----------------------|------|
| SIZE | SCALE | PART NO. | REV. |
| A | $\frac{3}{8} = 1'$ | BTC 412006103 | A |

DATE 4/2/2009

SHEET 1 of 1

4

3

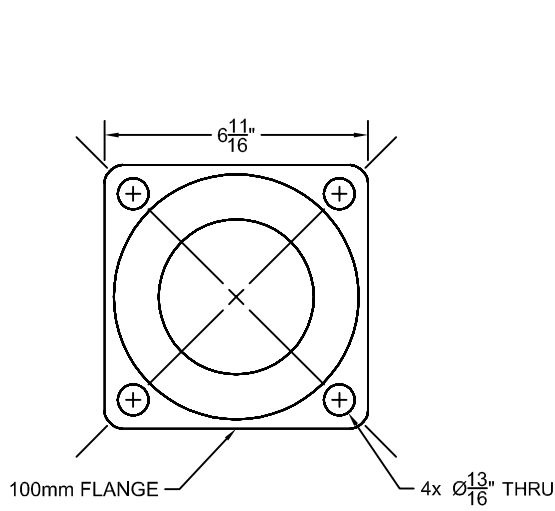
2

1

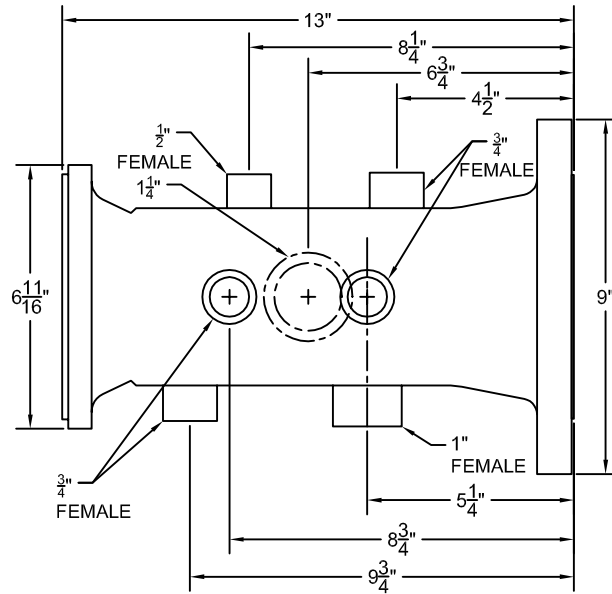
A

A

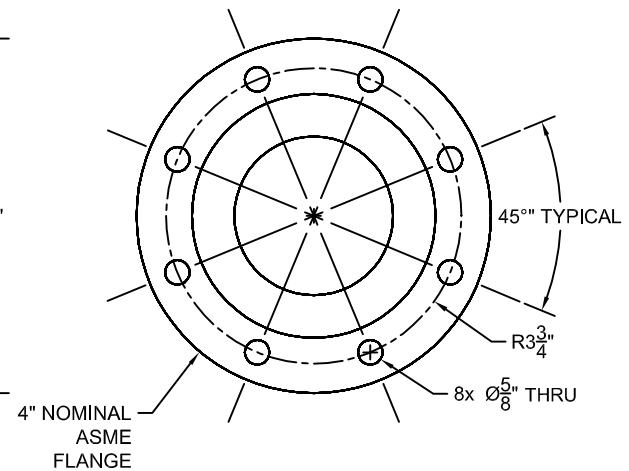
| REVISIONS | | | |
|-----------|-------------|-----------|----------|
| REV | DESCRIPTION | DATE | APPROVED |
| A | RELEASED | 6/12/2009 | |



END VIEW



SIDE VIEW



END VIEW

NOTE
1. All dimensions are in inches.
2. All pipe sizes are NPT.

Bosch Thermotechnology Corp.
50 Wentworth Ave.
Londonderry, NH 03053
Phone: 603-552-1100

Tolerance
Fraction = $\pm \frac{1}{4}$ "
x.x = ± 0.030
x.xx = ± 0.015
x.xxx = ± 0.005

(UNLESS OTHERWISE NOTED)

This drawing is the exclusive property of Bosch Thermotechnology Corporation, it may not be reproduced or given to third parties.

Drawn By:
M SPIRIDIGLOZZI

Approved By:
J MILLS

Buderus

Bosch Group

Bosch Thermotechnology Corp.

DESCRIPTION
G515 SUPPLY MANIFOLD SPECIFICATION

SIZE
A

SCALE
NTS

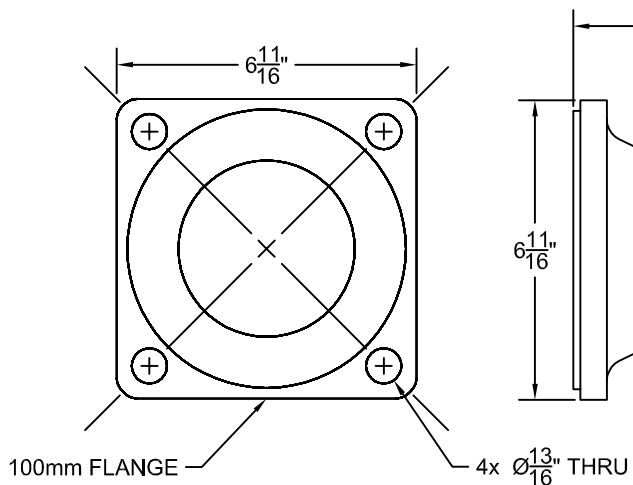
PART NO.
BTC 412006113

REV.
A

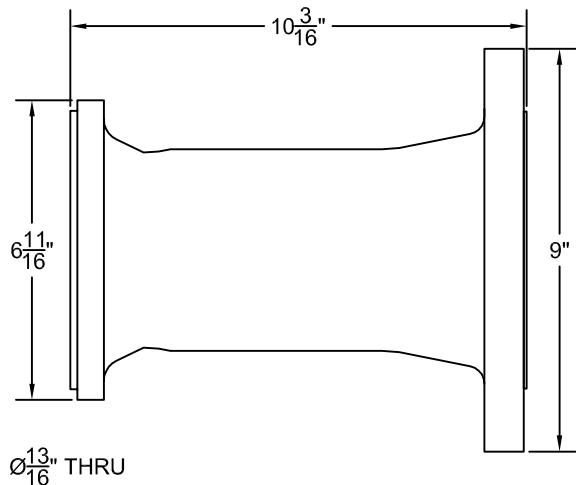
DATE 6/9/2009

SHEET 1 of 2

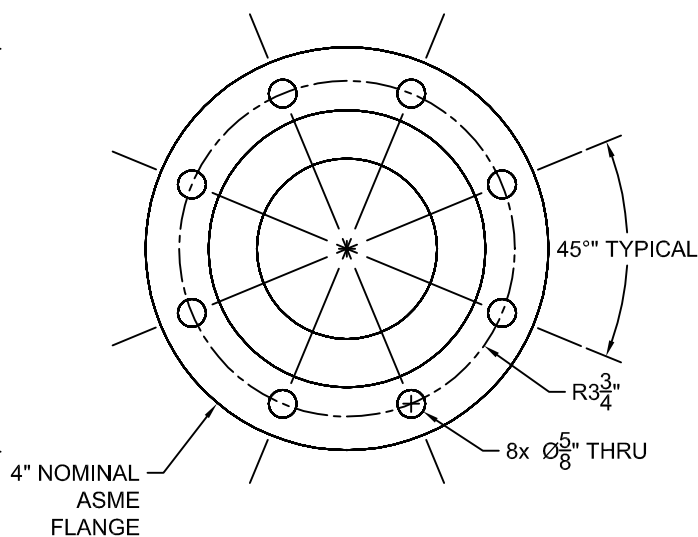
| REVISIONS | | | |
|-----------|-------------|-----------|----------|
| REV | DESCRIPTION | DATE | APPROVED |
| A | RELEASED | 6/12/2009 | |



END VIEW



SIDE VIEW



END VIEW

NOTE
1. All dimensions are in inches.
2. All pipe sizes are NPT.

Bosch Thermotechnology Corp.
50 Wentworth Ave.
Londonderry, NH 03053
Phone: 603-552-1100

Tolerance

Fraction= $\pm \frac{1}{4}$ "
x.x= ± 0.030
x.xx= ± 0.015
x.xxx= ± 0.005

(UNLESS OTHERWISE NOTED)

This drawing is the exclusive property of Bosch Thermotechnology Corporation, it may not be reproduced or given to third parties.

Drawn By:
M SPIRIDIGLOZZI

Approved By:
J MILLS

Buderus

Bosch Group

Bosch Thermotechnology Corp.

DESCRIPTION
G515 RETURN MANIFOLD SPECIFICATION

SIZE
A

SCALE
NTS

PART NO.
BTC 412006113

REV.
A

DATE 6/9/2009

SHEET 2 of 2