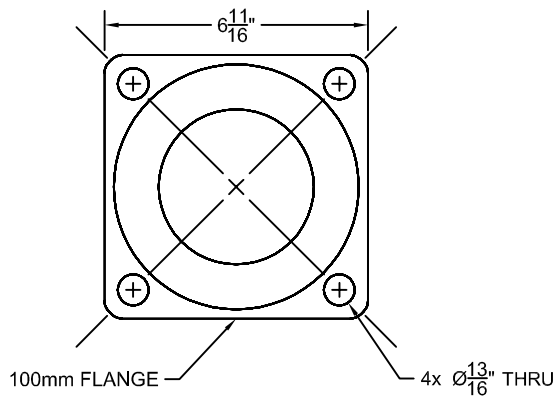
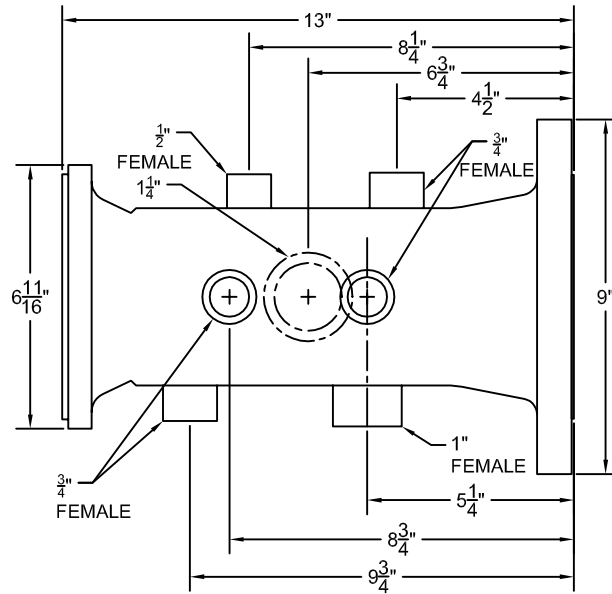


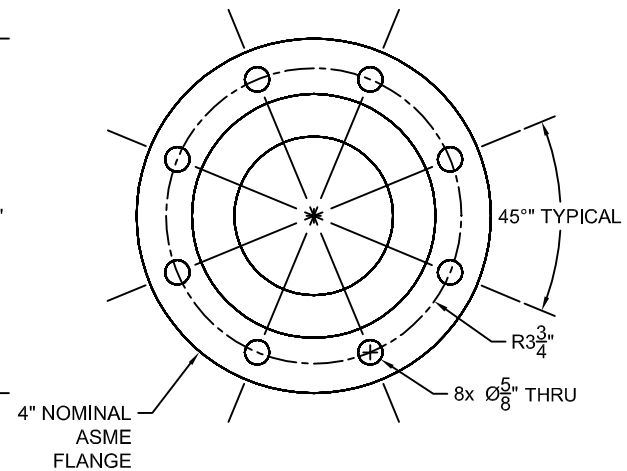
REVISIONS			
REV	DESCRIPTION	DATE	APPROVED
A	RELEASED	6/12/2009	



END VIEW



SIDE VIEW



END VIEW

NOTE  
1. All dimensions are in inches.  
2. All pipe sizes are NPT.

Bosch Thermotechnology Corp.  
50 Wentworth Ave.  
Londonderry, NH 03053  
Phone: 603-552-1100

Tolerance  
Fraction =  $\pm \frac{1}{4}$ "  
x.x =  $\pm 0.030$   
x.xx =  $\pm 0.015$   
x.xxx =  $\pm 0.005$

(UNLESS OTHERWISE NOTED)

This drawing is the exclusive property of Bosch Thermotechnology Corporation, it may not be reproduced or given to third parties.

Drawn By:  
M SPIRIDIGLOZZI

Approved By:  
J MILLS

**Buderus**

Bosch Group

Bosch Thermotechnology Corp.

DESCRIPTION  
G515 SUPPLY MANIFOLD SPECIFICATION

SIZE  
A

SCALE  
NTS

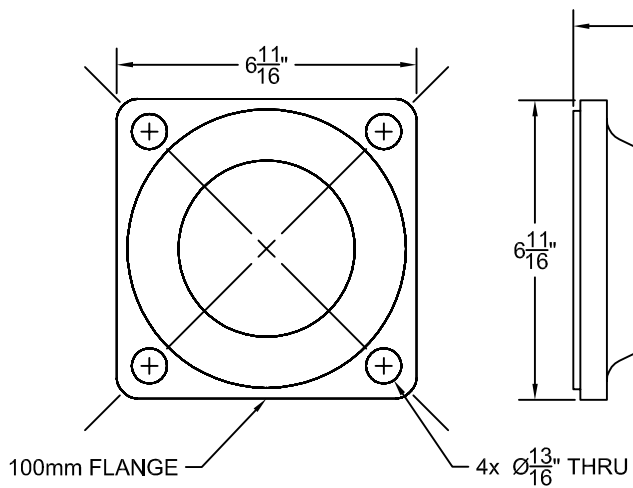
PART NO.  
BTC 412006113

REV.  
A

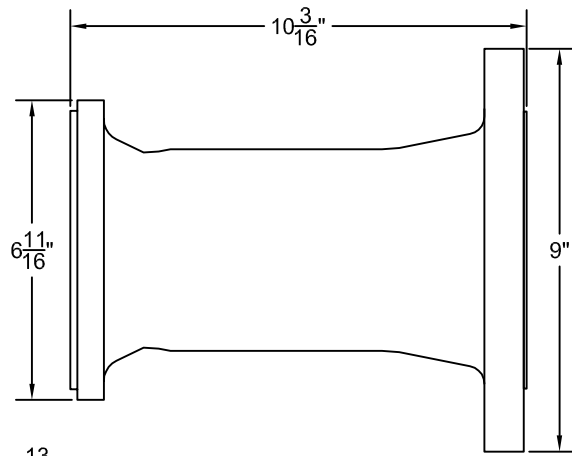
DATE 6/9/2009

SHEET 1 of 2

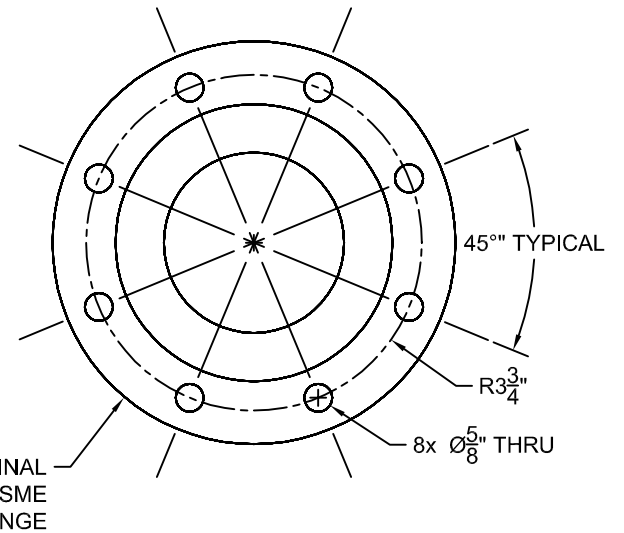
REVISIONS			
REV	DESCRIPTION	DATE	APPROVED
A	RELEASED	6/12/2009	



END VIEW



SIDE VIEW



END VIEW

NOTE  
1. All dimensions are in inches.  
2. All pipe sizes are NPT.

Bosch Thermotechnology Corp.  
50 Wentworth Ave.  
Londonderry, NH 03053  
Phone: 603-552-1100

Tolerance  
Fraction =  $\pm \frac{1}{4}$ "  
x.x =  $\pm 0.030$   
x.xx =  $\pm 0.015$   
x.xxx =  $\pm 0.005$   
(UNLESS OTHERWISE NOTED)

This drawing is the exclusive property of Bosch Thermotechnology Corporation, it may not be reproduced or given to third parties.

Drawn By:  
M SPIRIDIGLOZZI  
Approved By:  
J MILLS

**Buderus**

Bosch Group

Bosch Thermotechnology Corp.

DESCRIPTION  
G515 RETURN MANIFOLD SPECIFICATION

SIZE  
A

SCALE  
NTS

PART NO.  
BTC 412006113

REV.  
A

DATE 6/9/2009

SHEET 2 of 2