

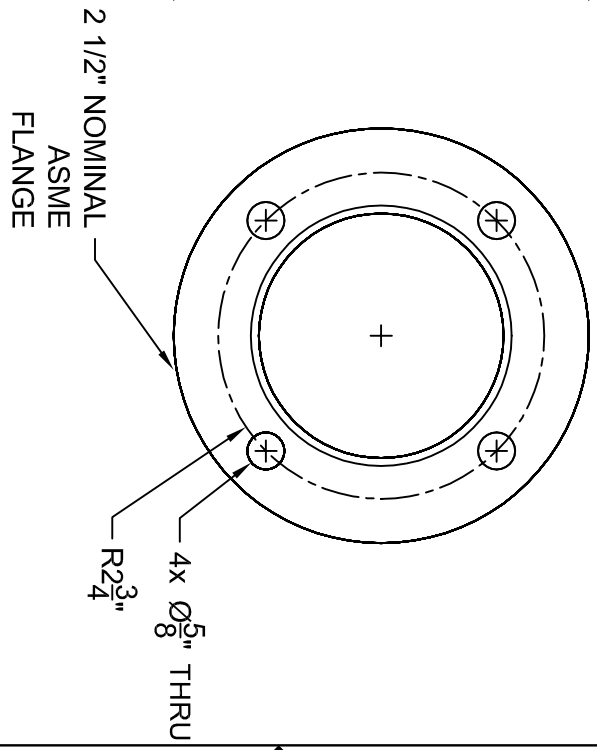
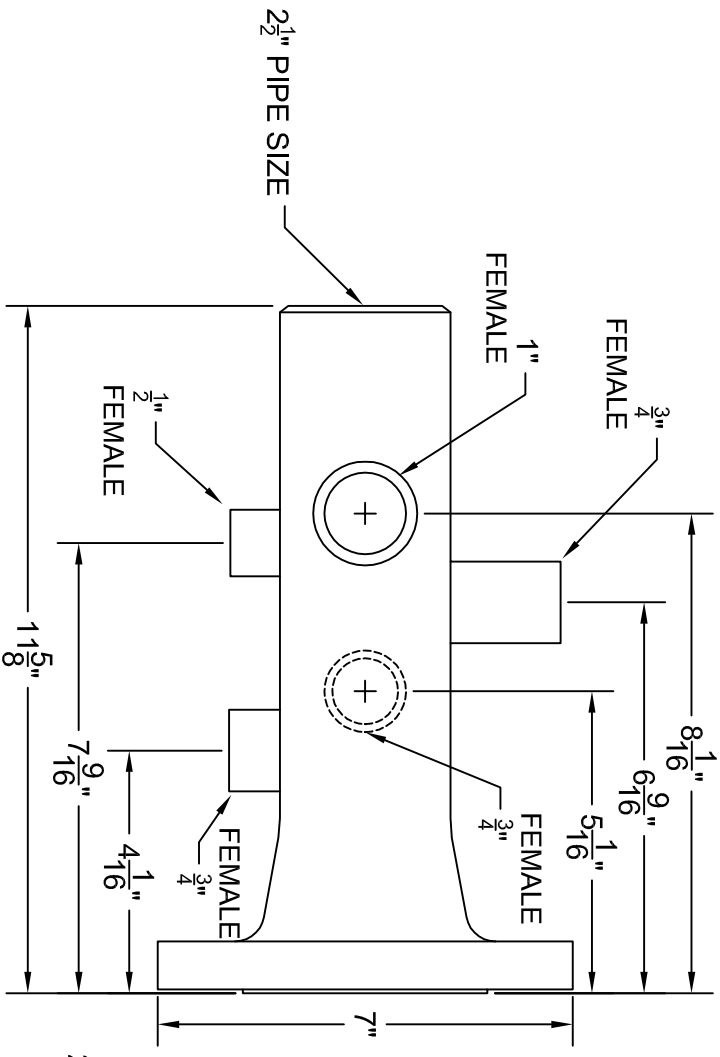
4

3

2

1

REVISIONS			
REV	DESCRIPTION	DATE	APPROVED
A	RELEASED	6/12/2009	



### SIDE VIEW

### END VIEW

NOTE

1. All dimensions are in inches.
2. All pipe sizes are NPT.

Bosch Thermotechnology Corp.  
 50 Wentworth Ave.  
 Londonderry, NH 03053  
 Phone: 603-852-1100

This drawing is the exclusive property of Bosch Thermotechnology Corporation, it may not be reproduced or given to third parties.

Tolerance

Fraction=±1/16"  
 x.x=±0.030  
 x.xx=±0.015  
 x.xxx=±0.005

(UNLESS OTHERWISE NOTED)

Drawn By:  
 M SPIRIDIDLOIZZI

Approved By:  
 J MILLS

**Buderus**  
 Bosch Group

Bosch Thermotechnology Corp.

DESCRIPTION

SB735/145-185 2 1/2" SUPPLY MANIFOLD SPECIFICATION

SIZE SCALE  
 A NTS

PART NO.  
 BTC 433006112

REV.  
 A

DATE 6/9/2009

SHEET 1 of 1

A

B

C

D

A

B

C

D

4

3

2

1