

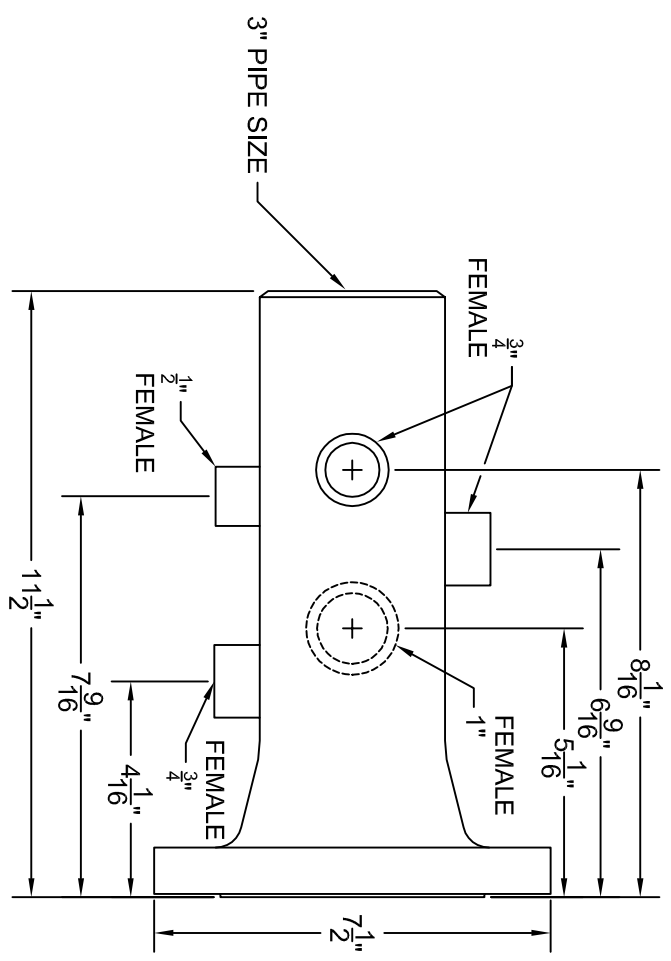
4

3

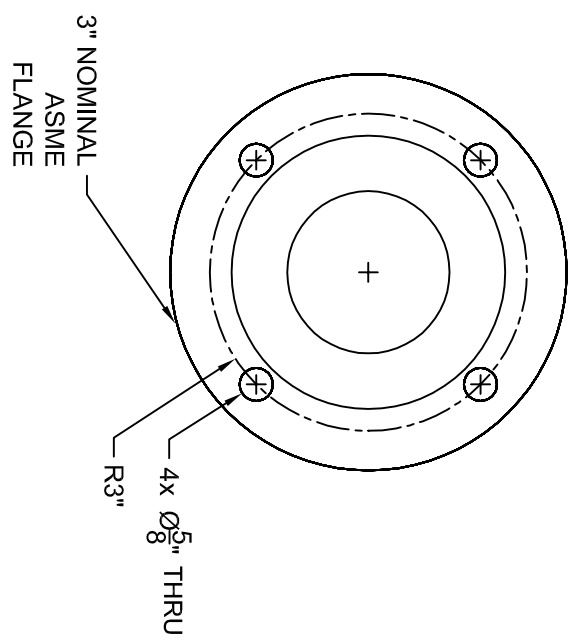
2

1

REVISIONS			
REV	DESCRIPTION	DATE	APPROVED
A	RELEASED	6/12/2009	



SIDE VIEW



END VIEW

NOTE

1. All dimensions are in inches.
2. All pipe sizes are NPT.

Bosch Thermotechnology Corp.
 50 Wentworth Ave.
 Londonderry, NH 03053
 Phone: 603-852-1100

This drawing is the exclusive property of Bosch Thermotechnology Corporation, it may not be reproduced or given to third parties.

Tolerance

Fraction= $\pm\frac{1}{16}$ "
 x.x= ± 0.030
 x.xx= ± 0.015
 x.xxx= ± 0.005

(UNLESS OTHERWISE NOTED)

Drawn By:
 M SPIRIDIDLOIZZI

Approved By:
 J MILLS

Buderus

Bosch Thermotechnology Corp.

Bosch Group

DESCRIPTION
SB615-240/310 3" SUPPLY MANIFOLD SPECIFICATION

SIZE SCALE
A NTS

PART NO.
BTC 433006113

REV.
A

DATE 6/9/2009

SHEET 1 of 1

A

B

C

D

4

3

2

1

A

B

C

D