

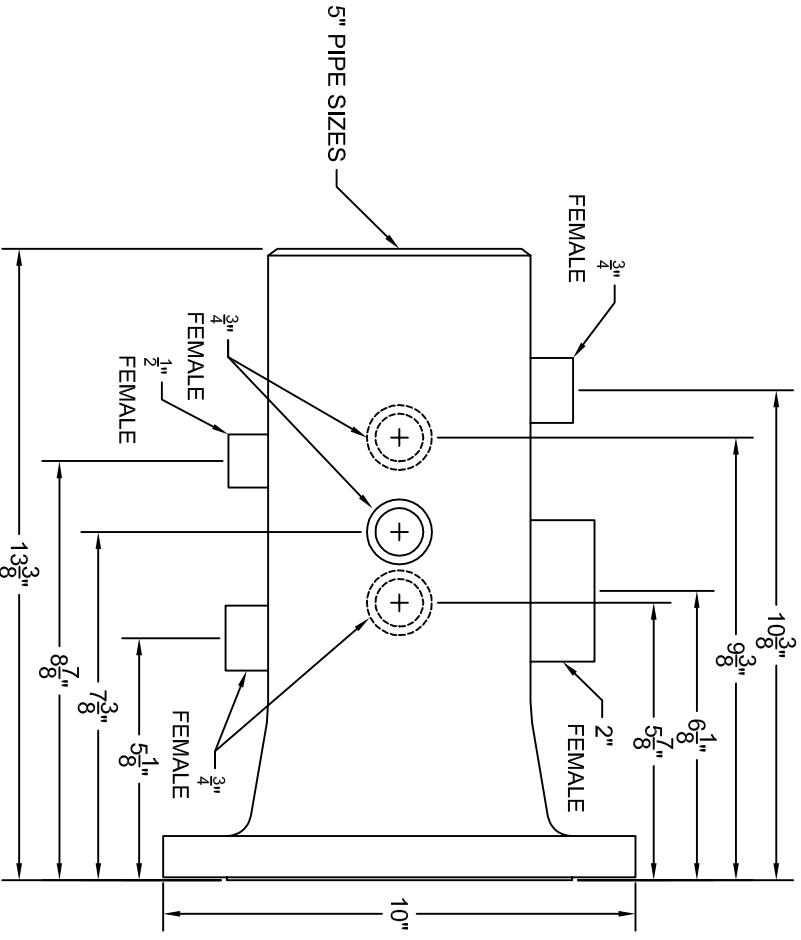
4

3

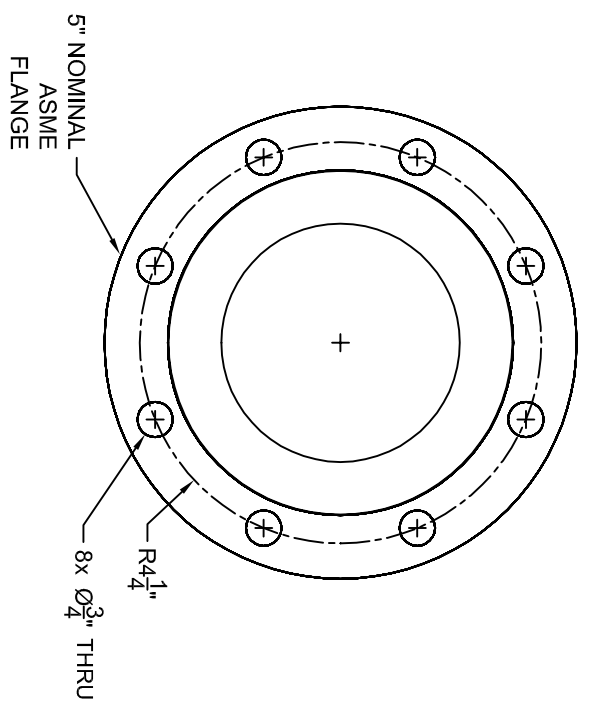
2

1

REVISIONS			
REV	DESCRIPTION	DATE	APPROVED
A	RELEASED	6/12/2009	



**SIDE VIEW**



**END VIEW**

NOTE

1. All dimensions are in inches.
2. All pipe sizes are NPT.

Bosch Thermotechnology Corp.  
 50 Wentworth Ave.  
 Londonderry, NH 03053  
 Phone: 603-852-1100

This drawing is the exclusive property of Bosch Thermotechnology Corporation, it may not be reproduced or given to third parties.

Tolerance

Fraction=±1/4"  
 x.x=±0.030  
 x.xx=±0.015  
 x.xxx=±0.005

(UNLESS OTHERWISE NOTED)

Drawn By: M SPIRIDIDLOIZZI

Approved By: J MILLS

**Buderus**

Bosch Thermotechnology Corp.

Bosch Group

DESCRIPTION SB735/970-1200 5" SUPPLY MANIFOLD SPECIFICATION

SIZE	SCALE	PART NO.	REV.
A	NTS	BTC 434006107	A

DATE	SHEET	of
6/9/2009	1	1

A

B

C

D

A

B

C

D

4

3

2

1