


BLOWER REPLACEMENT INSTRUCTIONS

Introduction

This document shows step-by-step instructions that will assist in the removal and replacement of the blower for QV and WQ Series.


Warnings

	Warnings in this document are identified by a warning triangle printed against a gray background. Keywords at the start of the warning indicate the type and seriousness of the ensuing risk if measures to prevent the risk are not taken.
---	---


The following keywords are defined and can be used in this document:


- **DANGER** indicates a situation that, if not avoided, will result in death or serious injury.
- **WARNING** indicates a situation that, if not avoided, could result in death or serious injury.
- **CAUTION** indicates a situation that, if not avoided, could result in minor to moderate injury.
- **NOTICE** is used to address practices not related to personal injury.


Important Information

	This symbol indicates important information where there is no risk to property or people.
---	---

SAFETY WARNINGS

	DANGER: PERSONAL INJURY HAZARD Before performing service turn off electrical power to unit and observe the proper process of locking-out power at the main/disconnect box and follow all safety precautions outlined in unit's IOM before performing any repairs to unit.
---	---

	WARNING: PERSONAL INJURY HAZARD Installation and servicing of this equipment can be hazardous due to system pressure and electrical components. Only trained and qualified personnel should install, repair, or service the equipment.
---	--

	WARNING: PERSONAL INJURY HAZARD When working on equipment, always observe precautions described in the literature, tags, and labels attached to the unit. Follow all safety codes. Wear safety glasses and work gloves.
---	---

Tools required

- 5/8" socket with long extension
- 5/8" wrench

Instructions

- 1) Turn off power and apply "Lock Out Tag Out"
 - a. Remove line voltage connections and ensure there is no power supply to the lines.
- 2) Remove blower access panel. (See Fig. 1a & 1b)

- 3) Disconnect motor power and control harness from motor module. Set aside to re-connect later.
- 4) Remove motor module mounting bracket with module and sit on the divider (vertical configuration) or unit base (horizontal configuration). (See Fig. 2)

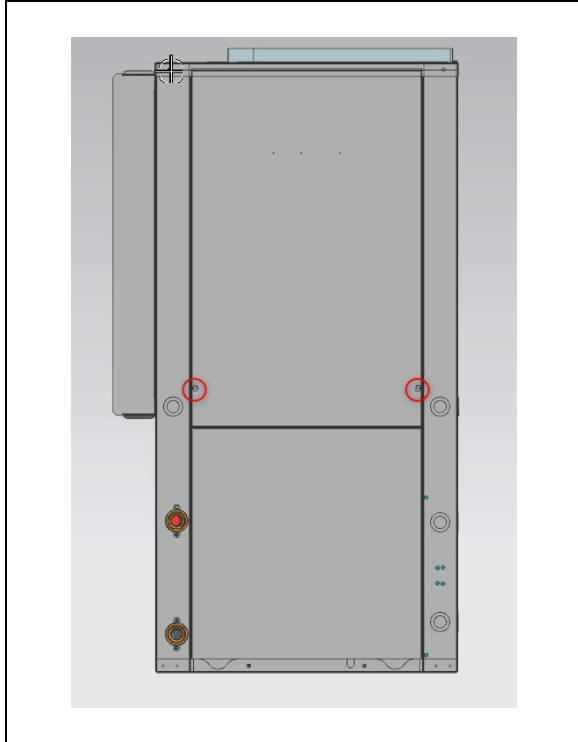


Fig. 1a Blower Access Panel for Vertical unit configuration

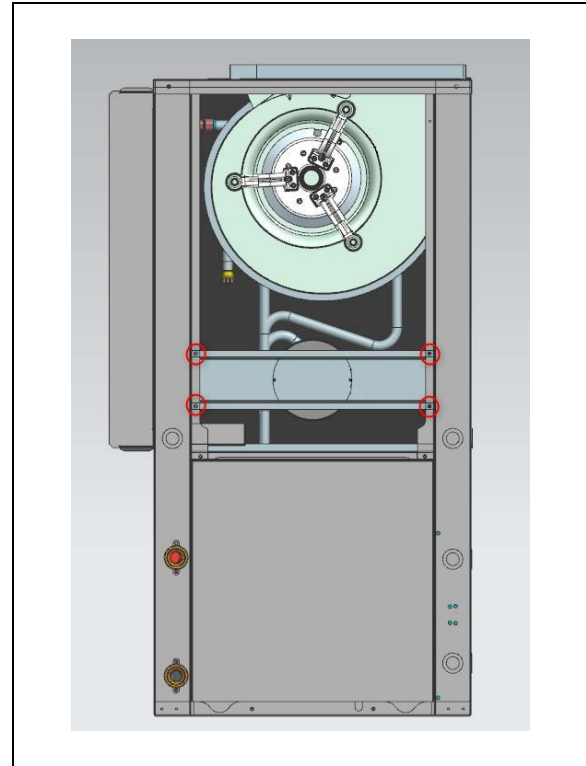


Fig. 2 Mounting Bracket Screw Locations

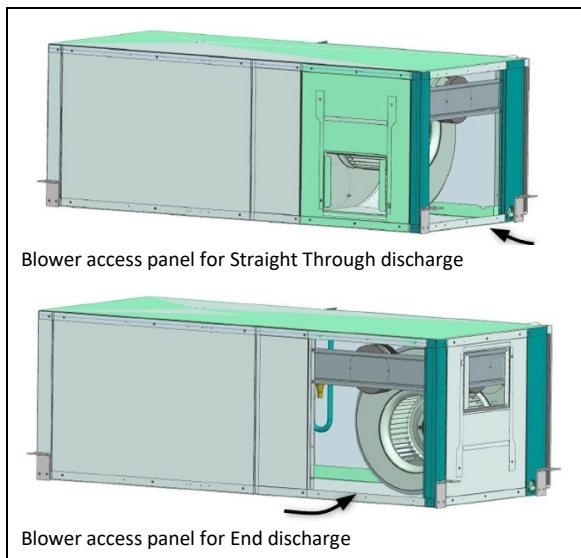


Fig. 1b Blower access Panel for Horizontal unit configuration

- 5) Locate and remove 4, 5/8" nuts holding the blower housing to the blower panel (2 in front, 2 in back). **NOTE:** Blower WILL fall once the nuts are removed. Make sure the blower is supported. (See Fig. 3 & 4)

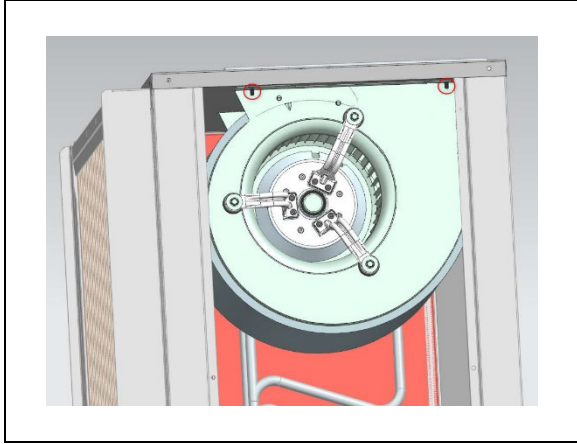


Fig. 3 Front Blower Housing Nut Locations

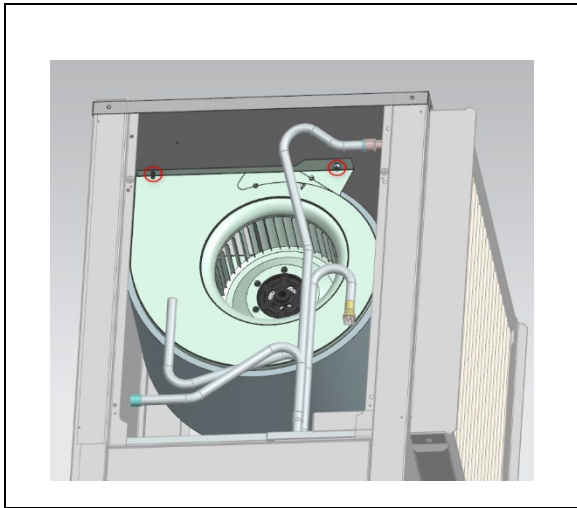


Fig. 4 Rear Blower Housing Nut Locations

- 6) Lower the blower (vertical units) or pull blower away from panel (Horizontal units). Be sure to avoid damage to the evaporator. (See Fig. 5)

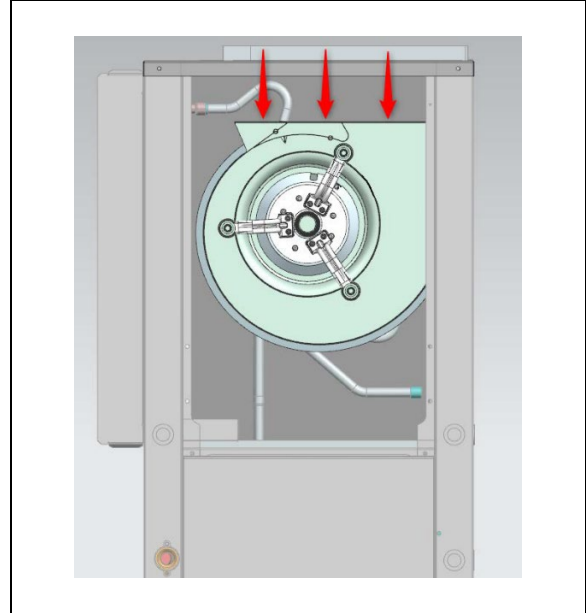


Fig. 5 Direction for Blower Removal

- 7) Rotate blower in preparation for removal:
 For Vertical units, rotate 90° as shown (discharge opening to the evaporator), and next bring discharge opening to the front by rotating 90° as shown. (See Fig. 6,7,8)
 For horizontal units, rotate 90° (discharge opening toward front.)

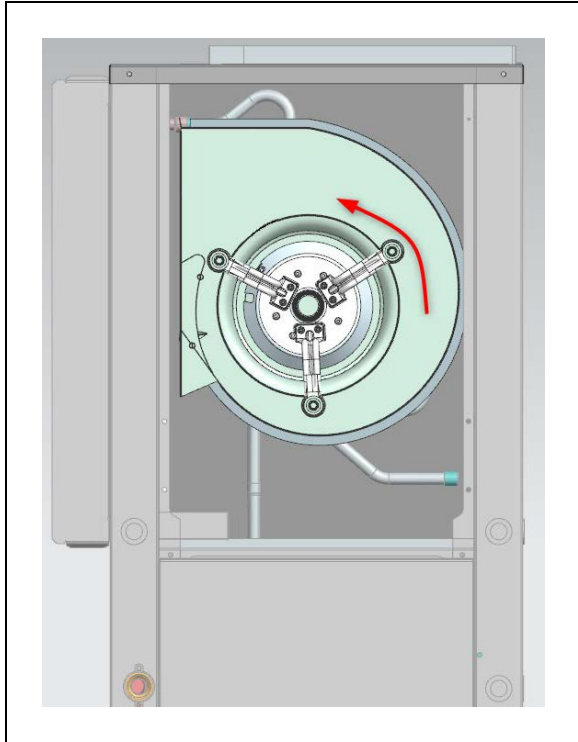


Fig. 6 Rotate Blower towards Evaporator

- 8) Pull blower towards self to remove from unit.
(See Fig. 8)

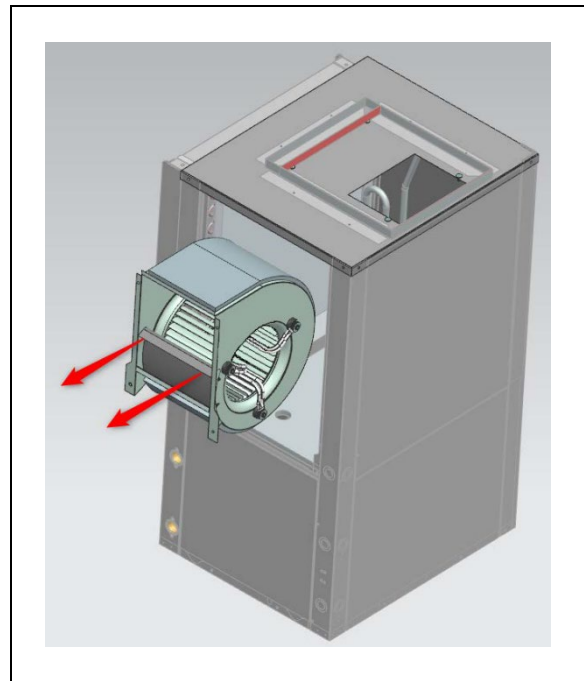


Fig. 8 Direction for Blower Removal

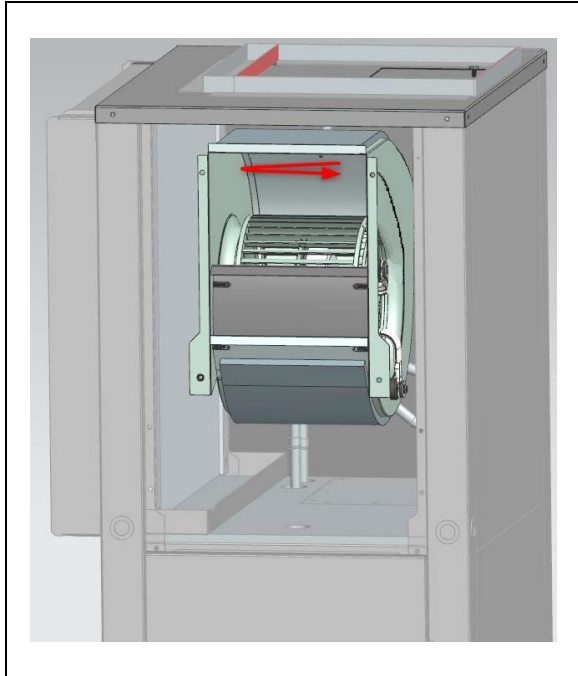


Fig. 7 Rotate Blower towards Self

- 9) To install the new blower, follow instructions in reverse.

If you have any questions regarding the information provided in this document, please contact the Bosch Technical Support Department by phone at 1-800-283-3787, or via email at

boiler.techsupport@us.bosch.com