




Climate 5000 Series 12K BTU Single Zone Hyper Heat System Cassette IDU

Engineering
Submittal
Sheet



BOSCH

Overview and Project Information	
  	Project Name
	Location
	Architect
	Engineer
	General Contractor
	Reference #

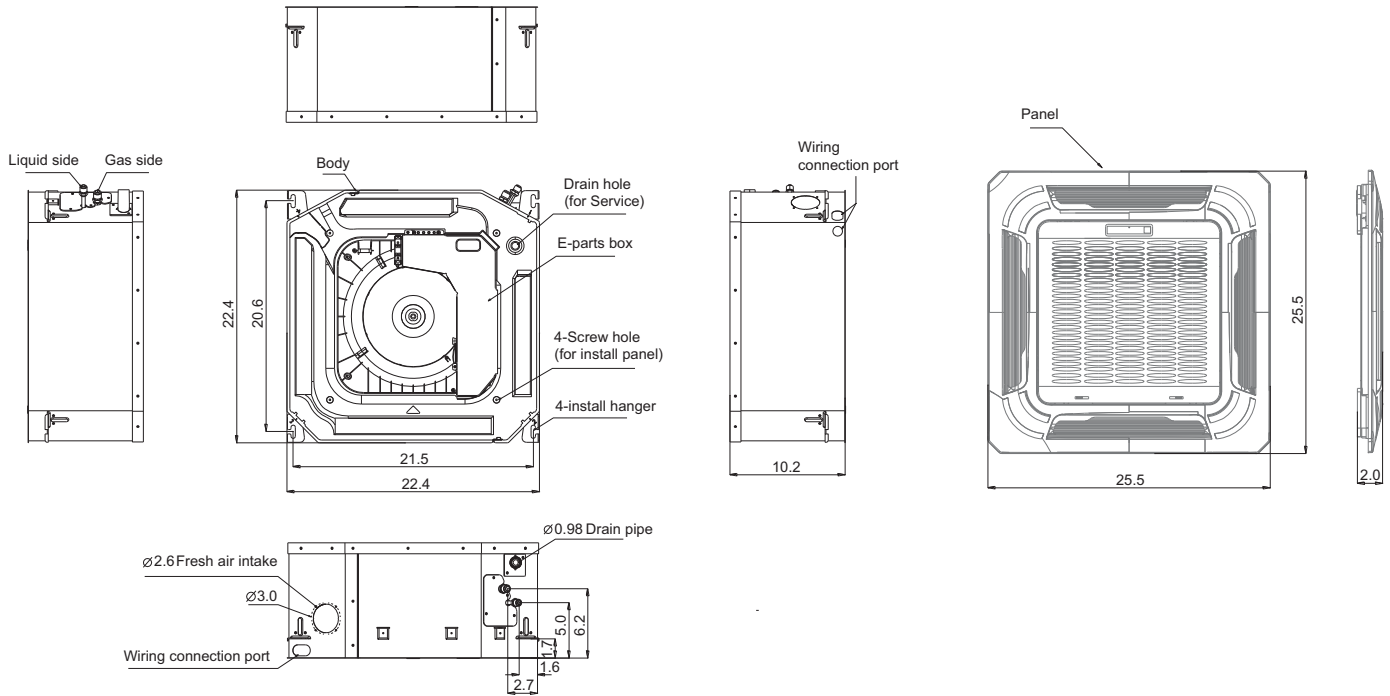
12K Btu Single Zone Hyper Heat System - Cassette IDU		
Indoor model #	8733953110	
Indoor model name	BMS500-AAU012-1AHCXB	
Outdoor model #	8733953116	
Outdoor model name	BMS500-AAS012-1CSXHB	
Performance Data		
Cooling	Capacity (Btu/h):	12000
	Input (W)	960
	Rated current (A)	4.39
	EER (Btu/w)	12.5
	SEER (Btu/w)	19.5
Heating at 47°F	Capacity (Btu/h)	12000
	Input (W)	960
	Rated current (A)	4.39
	COP (W/W)	3.66
	HSPF4	10.6
	HSPF5	9.2
Electrical Data		
Power supply (V / Ø / Hz)	208-230 / 1 / 60	
Min. Circuit ampacity (A)	9	
Max. Fuse (A)	15	
Compressor Data		
Type:	Twin-Rotary	
Refrigerant oil /oil charge (ml)	ESTER OIL VG74 / 500	
Input (W)	870	
Rated current (RLA / A)	5.65	
Piping		
Refrigerant Charge (oz/g)	52.9 / 1500	
Liquid side (in/mm)	1/4" / Ø6.35	
Gas side (in/mm)	1/2" / Ø12.7	
Additional charge per ft (oz)	0.16	
Refrigerant precharge (ft/m)	25 / 7.6	
Max. refrigerant pipe length (ft/m)	82 / 25	
Max. difference in height (ft/m)	33 / 10	

Operation Range		
ODU	Cooling (°F / °C)	-22~122 / -30~50
	Heating (°F / °C)	-22~86 / -30~30
IDU	Cooling (°F / °C)	62~90 / 17~32
	Heating (°F / °C)	32~86 / 0~30
System Data		
Refrigerant Type		R410A
Design pressure (PSIG)		550/340
Dehumidification (pts/hr)		2.54
IDU	Fan motor qty (ea)	1
	Fan motor input (W)	45.0
	Fan motor RLA (A)	0.465
	Fan speed (RPM)	680 / 580 / 500
	Air flow, H / M / L (CFM)	379 / 309 / 291
	Noise level, H / M / L (dB(A))	43 / 39 / 36
	Net weight (lbs / kg)	35.3 / 16.0
	Gross weight (lbs / kg)	41.0 / 18.6
	Panel Net weight (lbs / kg)	5.5 / 2.5
	Panel Gross weight (lbs / kg)	9.9 / 4.5
ODU	Drain pipe diameter (in / mm)	OD 0.98 / 25
	Fan motor qty (ea)	1
	Fan motor input (W)	63
	Fan motor RLA (A)	0.38
	Fan motor speed (RPM)	810 / 700 / 450
	Air flow, Max (CFM)	1177
	Noise level, Max (dB(A))	56.0
	Net weight (lbs / kg)	88.2 / 40.0
Gross weight (lbs / kg)	93.7 / 42.5	
Accessories		
BMS-CCG-XXX (8733953125)	Decorative Grille - 9K ~ 18K	
BMS-WT2-XXX (8733953128)	Wired Wall Thermostat	
BMS-DRY-XXX (8733953129)	24V Interface	
BMS-PK2-7X1 (8733951011)	25ft Lineset	
BMS-PK2-5X1 (8733951017)	16ft Lineset	

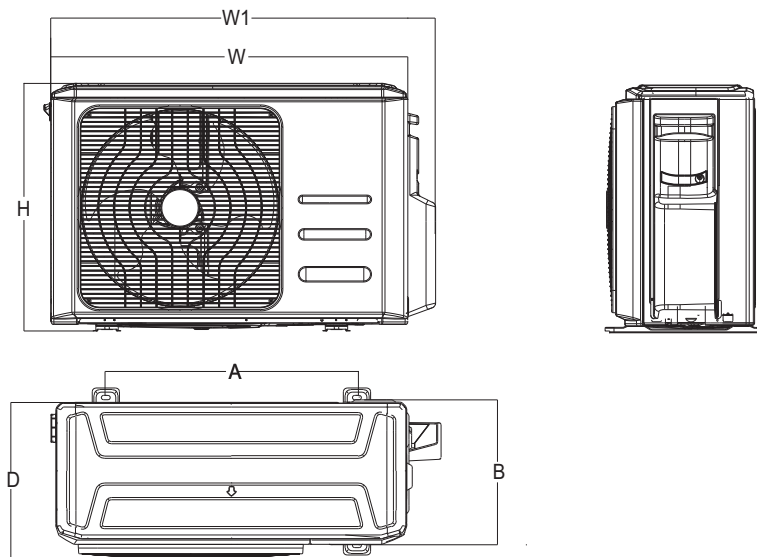
Climate 5000 Series - 12K Btu Single Zone Hyper Heat System - Cassette IDU



Indoor Unit Dimensions and Connections



Outdoor Unit Dimensions and Connections



Model	W (in)	D (in)	H (in)	W1 (in)	A (in)	B (in)
BMS500-AAS012-1CSXHB	31.5	13.1	21.8	34.3	20.2	13.4