




Climate 5000 Series 12K BTU Single Zone Hyper Heat System Ducted IDU

Engineering
Submittal
Sheet



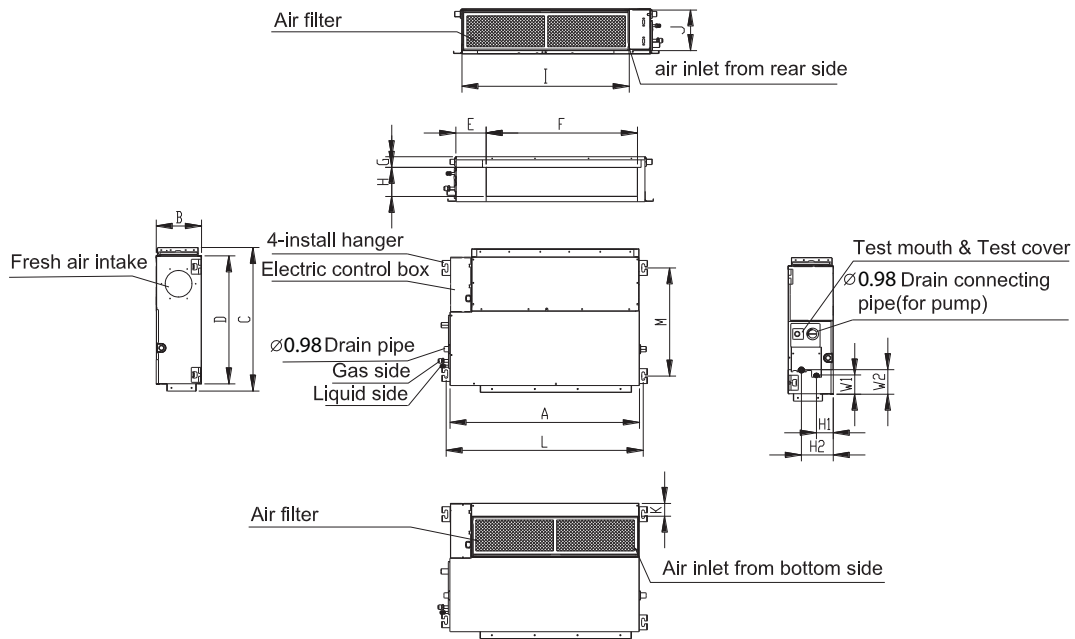
BOSCH

Overview and Project Information	
  	Project Name
	Location
	Architect
	Engineer
	General Contractor
	Reference #

12K Btu Single Zone Hyper Heat System - Ducted IDU		
Indoor model #	8733953103	
Indoor model name	BMS500-AAU012-1AHDXB	
Outdoor model #	8733953116	
Outdoor model name	BMS500-AAS012-1CSXHB	
Performance Data		
Cooling	Capacity (Btu/h):	12000
	Input (W)	960
	Rated current (A)	4.4
	EER (Btu/w)	12.5
	SEER (Btu/w)	20.5
Heating at 47°F	Capacity (Btu/h)	12000
	Input (W)	1065
	Rated current (A)	4.88
	COP (W/W)	3.3
	HSPF4	11
	HSPF5	9.5
Electrical Data		
Power supply (V / Ø / Hz)	208-230 / 1 / 60	
Min. Circuit ampacity (A)	9	
Max. Fuse (A)	15	
Compressor Data		
Type:	Twin-Rotary	
Refrigerant oil /oil charge (ml)	ESTER OIL VG74 / 500	
Input (W)	870	
Rated current (RLA / A)	5.65	
Piping		
Refrigerant Charge (oz/g)	52.9 / 1500	
Liquid side (in/mm)	1/4" / Ø6.35	
Gas side (in/mm)	1/2" / Ø12.7	
Additional charge per ft (oz)	0.16	
Refrigerant precharge (ft/m)	25 / 7.6	
Max. refrigerant pipe length (ft/m)	82 / 25	
Max. difference in height (ft/m)	33 / 10	

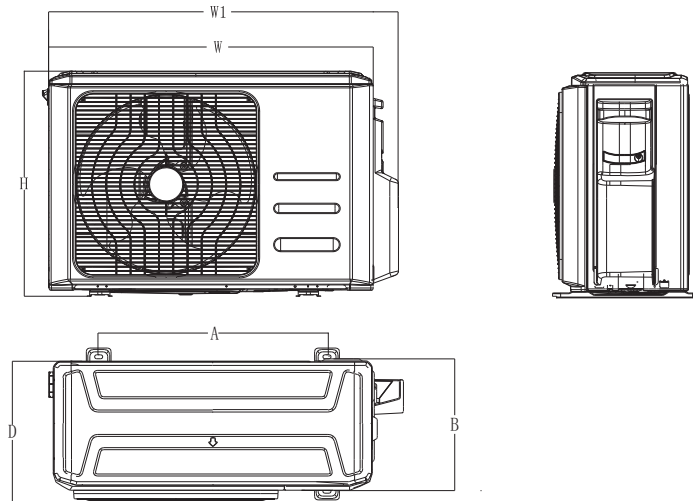
Operation Range		
ODU	Cooling (°F / °C)	-22~122 / -30~50
	Heating (°F / °C)	-22~86 / -30~30
IDU	Cooling (°F / °C)	62~90 / 17~32
	Heating (°F / °C)	32~86 / 0~30
System Data		
Refrigerant Type		R410A
Design pressure (PSIG)		550/340
Dehumidification (pts/hr)		2.54
IDU	Fan motor qty (ea)	1
	Fan motor input (W)	130.0
	Fan motor RLA (A)	1.11
	Fan speed (RPM)	1170 / 1030 / 850
	Air flow, H / M / L (CFM)	353 / 283 / 177
	Noise level, H / M / L (dB(A))	38 / 36 / 33.5
	Net weight (lbs / kg)	37.5 / 17.7
	Gross weight (lbs / kg)	48.3 / 21.9
	ESP range (Pa)	0 - 40
	Drain pipe diameter (in / mm)	0.98" / 25
	ODU	Fan motor qty (ea)
Fan motor input (W)		63
Fan motor RLA (A)		0.38
Fan motor speed (RPM)		810 / 700 / 450
Air flow, Max (CFM)		1177
Noise level, Max (dB(A))		56.0
Net weight (lbs / kg)		88.2 / 40.0
Gross weight (lbs / kg)	93.7 / 42.5	
Accessories		
BMS-WT2-XXX (8733953128)	Wired Wall Thermostat	
BMS-DRY-XXX (8733953129)	24V Interface	
BMS-PK2-7X1 (8733951011)	25ft Lineset	
BMS-PK2-5X1 (8733951017)	16ft Lineset	

Indoor Unit Dimensions and Connections



Model	Outline dimension (in)				Air outlet dimension (in)				Return air (in)			Mounting (in)		Gas and liquid valve (in)			
	A	B	C	D	E	F	G	H	I	J	K	L	M	H1	H2	W1	W2
BMS500-AAU012-1AHDXB	27.6	7.9	19.9	17.7	5.4	21.1	1.2	6.0	23.6	7.3	2.0	29.2	14.2	3.3	5.5	3.3	3.3

Outdoor Unit Dimensions and Connections



Model	W (in)	D (in)	H (in)	W1 (in)	A (in)	B (in)
BMS500-AAS012-1CSXHB	31.5	13.1	21.8	34.3	20.2	13.4

Air Volume

