

Climate 5000 Series 12K BTU Single Zone Hyper Heat System Wall Mounted IDU

Engineering
Submittal
Sheet



BOSCH

Overview and Project Information



Project Name	
Location	
Architect	
Engineer	
General Contractor	
Reference #	

12K Btu Single Zone Hyper Heat System - Wall Mounted IDU

Indoor model #	8733953095
Indoor model name	BMS500-AAU012-1AHWXB
Outdoor model #	8733953116
Outdoor model name	BMS500-AAS012-1CSXHB

Performance Data

Mode	Capacity (Btu/h):	Input (W)	Rated current (A)	EER (Btu/w)	SEER (Btu/w)	
Cooling	12000	960	4.2	13	22.5	
	Heating at 47°F	12000	975	4.2	COP (W/W)	3.55
		Input (W)	975	4.2	HSPF4	12
		Rated current (A)	4.2	3.55	HSPF5	9.9
		Capacity (Btu/h)	12000			
Input (W)		975				
Rated current (A)		4.2				

Electrical Data

Power supply (V / Ø / Hz)	208-230 / 1 / 60
Min. Circuit ampacity (A)	9.0
Max. Fuse (A)	15.0

Compressor Data

Type:	Twin-Rotary
Refrigerant oil /oil charge (ml)	ESTER OIL VG74 / 500
Input (W)	870
Rated current (RLA / A)	5.65

Piping

Refrigerant Charge (oz/g)	52.9 / 1500
Liquid side (in/mm)	1/4" / Ø6.35
Gas side (in/mm)	1/2" / Ø12.7
Additional charge per ft (oz)	0.16
Refrigerant precharge (ft/m)	25 / 7.6
Max. refrigerant pipe length (ft/m)	82 / 25
Max. difference in height (ft/m)	33 / 10

Operation Range

ODU	Cooling (°F / °C)	-22~122 / -30~50
	Heating (°F / °C)	-22~86 / -30~30
IDU	Cooling (°F / °C)	62~90 / 17~32
	Heating (°F / °C)	32~86 / 0~30

System Data

Refrigerant Type	R410A
Design pressure (PSIG)	550/340
Dehumidification (pts/hr)	2.54

IDU	Fan motor qty (ea)	1
	Fan motor input (W)	50.0
	Fan motor RLA (A)	0.036
	Fan speed (RPM)	1170 / 900 / 700
	Air flow, H / M / L (CFM)	418 / 324 / 247
	Noise level, H / M / L (dB(A))	43 / 36 / 24
	Net weight (lbs / kg)	19.8 / 9.0
	Gross weight (lbs / kg)	25.4 / 11.5

ODU	Fan motor qty (ea)	1
	Fan motor input (W)	63
	Fan motor RLA (A)	0.38
	Fan motor speed (RPM)	810 / 700 / 450
	Air flow, Max (CFM)	1177
	Noise level, Max (dB(A))	56.0
	Net weight (lbs / kg)	88.2 / 40.0
	Gross weight (lbs / kg)	93.7 / 42.5

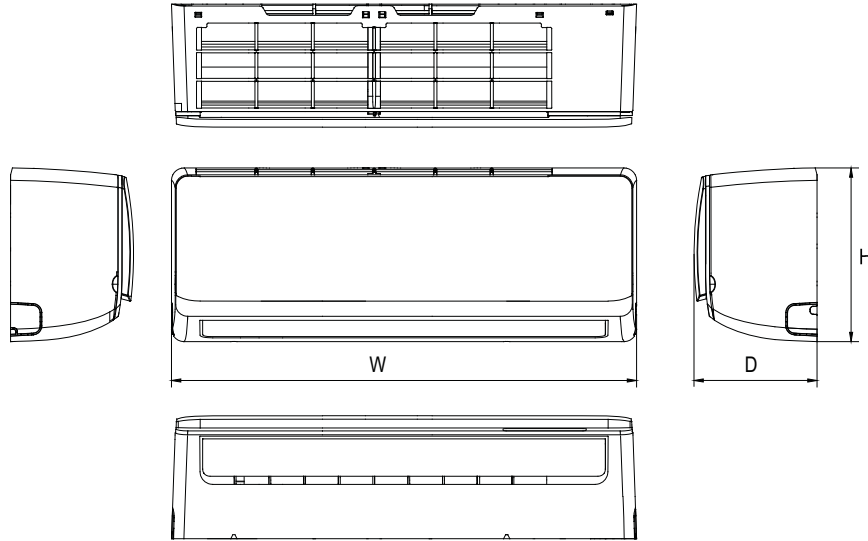
Accessories

BMS-WT1-XXX (8733953127)	Wired Wall Thermostat
BMS-DRY-XXX (8733953129)	24V Interface
BMS-PK2-7X1 (8733951011)	25ft Lineset
BMS-PK2-5X1 (8733951017)	16ft Lineset

Climate 5000 Series -
12K Btu Single Zone Hyper Heat System - Wall Mounted IDU

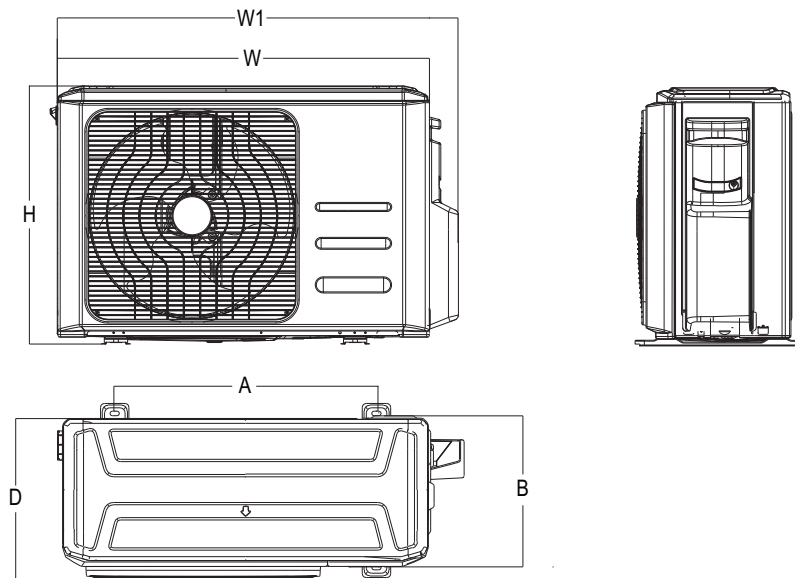


Indoor Unit Dimensions and Connections



Model	W (in)	D (in)	H (in)
BMS500-AAU012-1AHWXB	32.9	7.8	11.0

Outdoor Unit Dimensions and Connections



Model	W (in)	D (in)	H (in)	W1 (in)	A (in)	B (in)
BMS500-AAS012-1CSXHB	31.5	13.1	21.8	34.3	20.2	13.4