

Climate 5000 Series 18K BTU Multi Zone Regular System Outdoor Unit – Ducted

Engineering
Submittal
Sheet



BOSCH

Overview and Project Information



Project Name	
Location	
Architect	
Engineer	
General Contractor	
Reference #	
Date	

18K Btu Multi Zone Regular System Outdoor Unit - Ducted

Indoor model #	8733953102 (Qty 2)	
Indoor model name	BMS500-AAU009-1AHDXB (Qty 2)	
Outdoor model #	8733942703	
Outdoor model name	BMS500-AAM018-1CSXRA	
Performance Data		
Cooling	Capacity (Btu/h):	18000
	Input (W)	1525
	Rated current (A)	6.6
	EER (Btu/w)	11.8
	SEER (Btu/w)	18.5
Heating at 47°F	Capacity (Btu/h)	18500
	Input (W)	1427
	Rated current (A)	6.2
	COP (W/W)	3.8
	HSPF4	10
	HSPF5	8.5
Electrical Data		
Power supply (V / Ø / Hz)	208-230 / 1 / 60	
Min. Circuit ampacity (A)	18.0	
Max. Fuse (A)	25.0	
Compressor Data		
Type:	Twin-Rotary	
Refrigerant oil /oil charge (ml)	ESTER OIL VG74 / 500	
Input (W)	1170	
Rated current (RLA / A)	10.00	
Operation Range		
ODU	Cooling (°F / °C)	-13~122 / -25~50
	Heating (°F / °C)	-13~86 / -25~30

Piping

Refrigerant precharge (ft / m)	49 / 15	
Refrigerant charge (oz / g)	70.5 / 1999	
Additional charge per ft (oz)	0.161	
Liquid side (in / mm)	2 X 1/4" / Ø6.35	
Gas side (in / mm)	2 X 3/8" / Ø9.52	
Max. refrigerant pipe length (ft / m)	131 / 40	
Max. length to one IDU (ft / m)	82 / 25	
Max. height difference between IDU and ODU (ft / m)	49 / 15	
Max. height difference between IDU's (ft / m)	33 / 10	
System Data		
Refrigerant Type	R410A	
Design pressure (PSIG)	550/340	
Dehumidification (pts/hr)	3.79	
ODU	Fan motor qty (ea)	1
	Fan motor input (W)	115.0
	Fan motor RLA (A)	0.55
	Fan motor speed, H / M / L (RPM)	800 / 650 / 550
	Air flow, Max (CFM)	818
	Noise level, Max (dB(A))	62.4
	Net weight (lbs / kg)	105.8 / 48.0
	Gross weight (lbs / kg)	114.6 / 52.0
IDU	Minimum # of indoors	2
	Maximum # of indoors	2

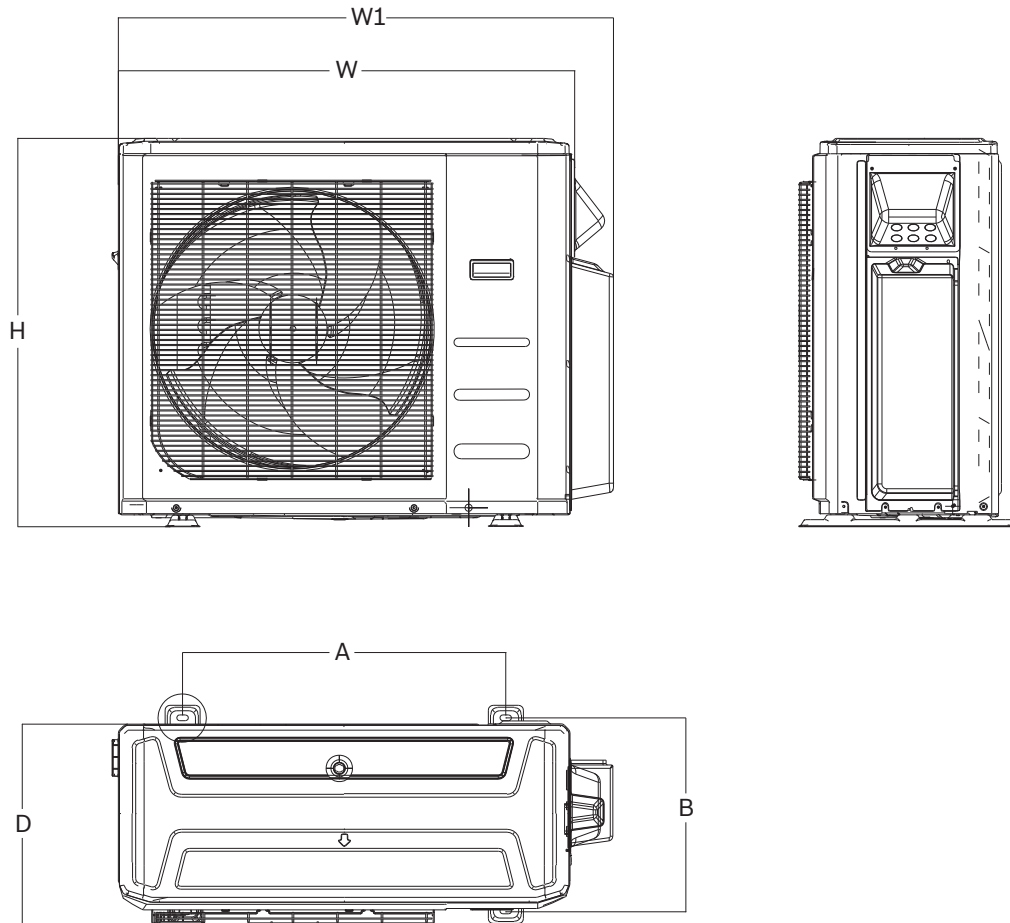
Climate 5000 Series

18K Btu Multi Zone Regular System Outdoor Unit – Ducted



BOSCH

Outdoor Unit Dimensions and Connections



Model	W (in)	D (in)	H (in)	W1 (in)	A (in)	B (in)
BMS500-AAM018-1CSXRA	33.3	14.3	27.6	36	21.3	13.8