




Climate 5000 Series 18K BTU Multi Zone Regular System Outdoor Unit – Non Ducted

Engineering
Submittal
Sheet



BOSCH

| Overview and Project Information | |
|---|--------------------|
|    | Project Name |
| | Location |
| | Architect |
| | Engineer |
| | General Contractor |
| | Reference # |
| | Date |

| 18K Btu Multi Zone Regular System Outdoor Unit - Non Ducted | | |
|---|------------------------------|------------------|
| Indoor model # | 8733953094 (Qty 2) | |
| Indoor model name | BMS500-AAU009-1AHWXB (Qty 2) | |
| Outdoor model # | 8733942703 | |
| Outdoor model name | BMS500-AAM018-1CSXRA | |
| Performance Data | | |
| Cooling | Capacity (Btu/h): | 18000 |
| | Input (W) | 1440 |
| | Rated current (A) | 6.3 |
| | EER (Btu/w) | 12.5 |
| | SEER (Btu/w) | 22.5 |
| Heating at 47°F | Capacity (Btu/h) | 19000 |
| | Input (W) | 1547 |
| | Rated current (A) | 6.7 |
| | COP (W/W) | 3.6 |
| | HSPF4 | 10.3 |
| | HSPF5 | 8.8 |
| Electrical Data | | |
| Power supply (V / Ø / Hz) | 208-230 / 1 / 60 | |
| Min. Circuit ampacity (A) | 18.0 | |
| Max. Fuse (A) | 25.0 | |
| Compressor Data | | |
| Type: | Twin-Rotary | |
| Refrigerant oil /oil charge (ml) | ESTER OIL VG74 / 500 | |
| Input (W) | 1170 | |
| Rated current (RLA / A) | 10.00 | |
| Operation Range | | |
| ODU | Cooling (°F / °C) | -13~122 / -25~50 |
| | Heating (°F / °C) | -13~86 / -25~30 |

| Piping | | |
|---|----------------------------------|-----------------|
| Refrigerant precharge (ft / m) | 49 / 15 | |
| Refrigerant charge (oz / g) | 70.5 / 1999 | |
| Additional charge per ft (oz) | 0.161 | |
| Liquid side (in / mm) | 2 X 1/4" / Ø6.35 | |
| Gas side (in / mm) | 2 X 3/8" / Ø9.52 | |
| Max. refrigerant pipe length (ft / m) | 131 / 40 | |
| Max. length to one IDU (ft / m) | 82 / 25 | |
| Max. height difference between IDU and ODU (ft / m) | 49 / 15 | |
| Max. height difference between IDU's (ft / m) | 33 / 10 | |
| System Data | | |
| Refrigerant Type | R410A | |
| Design pressure (PSIG) | 550/340 | |
| Dehumidification (pts/hr) | 3.79 | |
| ODU | Fan motor qty (ea) | 1 |
| | Fan motor input (W) | 115.0 |
| | Fan motor RLA (A) | 0.55 |
| | Fan motor speed, H / M / L (RPM) | 800 / 650 / 550 |
| | Air flow, Max (CFM) | 818 |
| | Noise level, Max (dB(A)) | 62.4 |
| | Net weight (lbs / kg) | 105.8 / 48.0 |
| | Gross weight (lbs / kg) | 114.6 / 52.0 |
| IDU | Minimum # of indoors | 2 |
| | Maximum # of indoors | 2 |

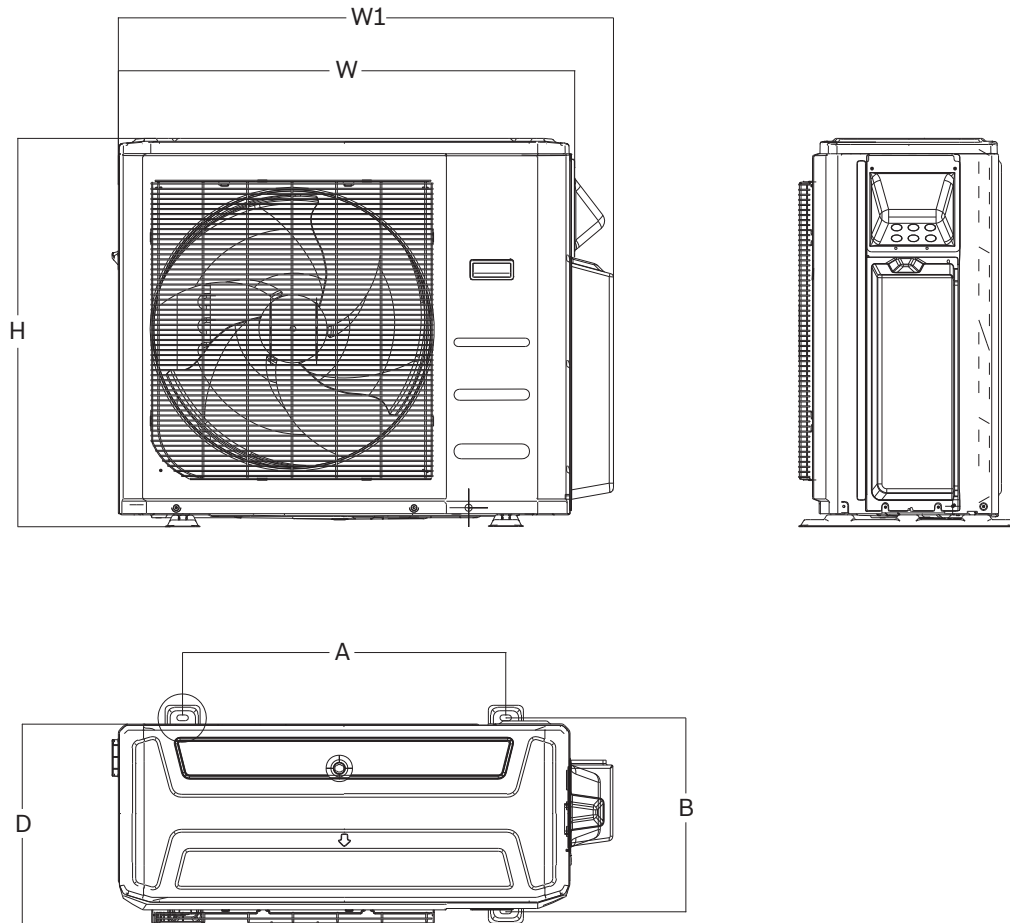
Climate 5000 Series

18K Btu Multi Zone Regular System Outdoor Unit – Non Ducted



BOSCH

Outdoor Unit Dimensions and Connections



| Model | W (in) | D (in) | H (in) | W1 (in) | A (in) | B (in) |
|----------------------|--------|--------|--------|---------|--------|--------|
| BMS500-AAM018-1CSXRA | 33.3 | 14.3 | 27.6 | 36 | 21.3 | 13.8 |