

Climate 5000 Series




18K BTU Single Zone Hyper Heat System

Ducted IDU

Engineering
Submittal
Sheet



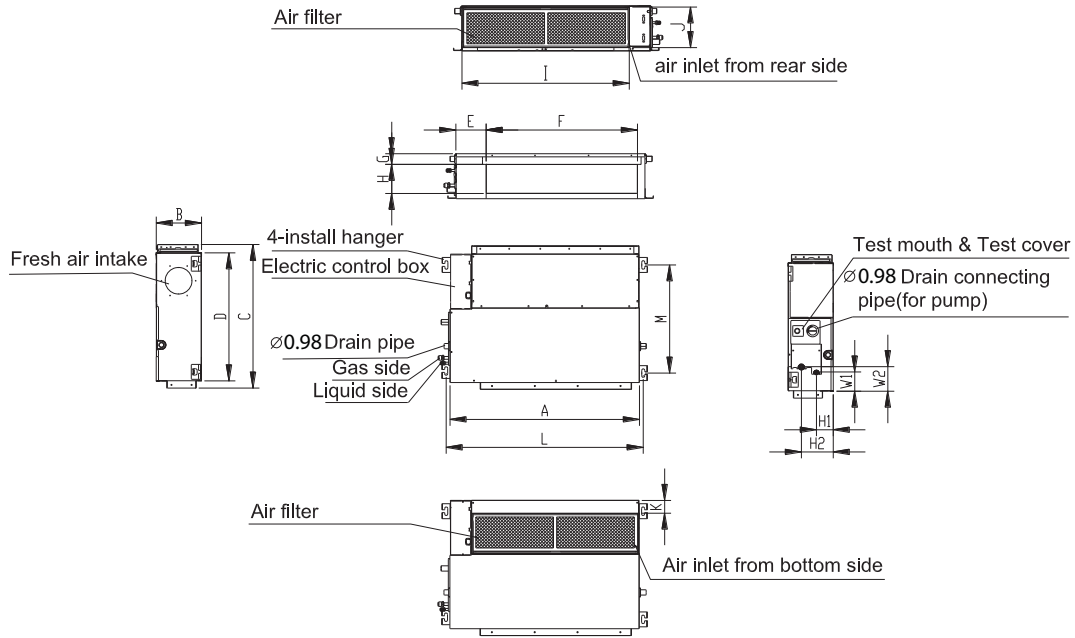
BOSCH

Overview and Project Information	
  	Project Name
	Location
	Architect
	Engineer
	General Contractor
	Reference #

18K Btu Single Zone Hyper Heat System - Ducted IDU		
Indoor model #	8733953104	
Indoor model name	BMS500-AAU018-1AHDXB	
Outdoor model #	8733953117	
Outdoor model name	BMS500-AAS018-1CSXHB	
Performance Data		
Cooling	Capacity (Btu/h):	16500
	Input (W)	1320
	Rated current (A)	6.0
	EER (Btu/w)	12.5
	SEER (Btu/w)	19.6
Heating at 47°F	Capacity (Btu/h)	19000
	Input (W)	1900
	Rated current (A)	8.7
	COP (W/W)	2.93
	HSPF4	11
	HSPF5	9.3
Electrical Data		
Power supply (V / Ø / Hz)	208-230 / 1 / 60	
Min. Circuit ampacity (A)	18	
Max. Fuse (A)	25	
Compressor Data		
Type:	Twin-Rotary	
Refrigerant oil /oil charge (ml)	ESTER OIL VG74 / 670	
Input (W)	1970	
Rated current (RLA / A)	12.90	
Piping		
Refrigerant Charge (oz/g)	68.8 / 1950	
Liquid side (in/mm)	1/4" / Ø6.35	
Gas side (in/mm)	1/2" / Ø12.7	
Additional charge per ft (oz)	0.16	
Refrigerant precharge (ft/m)	25 / 7.6	
Max. refrigerant pipe length (ft/m)	98 / 30	
Max. difference in height (ft/m)	66 / 20	

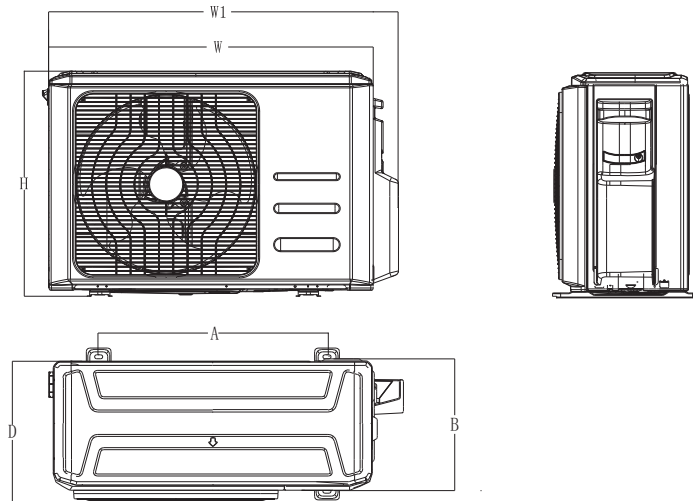
Operation Range		
ODU	Cooling (°F / °C)	-22~122 / -30~50
	Heating (°F / °C)	-22~86 / -30~30
IDU	Cooling (°F / °C)	62~90 / 17~32
	Heating (°F / °C)	32~86 / 0~30
System Data		
Refrigerant Type		R410A
Design pressure (PSIG)		550/340
Dehumidification (pts/hr)		3.45
IDU	Fan motor qty (ea)	1
	Fan motor input (W)	90.0
	Fan motor RLA (A)	1.20
	Fan speed (RPM)	850 / 700 / 450
	Air flow, H / M / L (CFM)	530 / 450 / 371
	Noise level, H / M / L (dB(A))	39 / 37 / 35
	Net weight (lbs / kg)	54.0 / 24.5
	Gross weight (lbs / kg)	66.1 / 30.0
	ESP range (Pa)	0 - 100
	Drain pipe diameter (in / mm)	0.98" / 25
ODU	Fan motor qty (ea)	1
	Fan motor input (W)	115
	Fan motor RLA (A)	0.42
	Fan motor speed (RPM)	850 / 700 / 450
	Air flow, Max (CFM)	1353
	Noise level, Max (dB(A))	57.5
	Net weight (lbs / kg)	107.4 / 48.7
Gross weight (lbs / kg)	115.1 / 52.2	
Accessories		
BMS-WT2-XXX (8733953128)	Wired Wall Thermostat	
BMS-DRY-XXX (8733953129)	24V Interface	
BMS-PK2-7X1 (8733951011)	25ft Lineset	
BMS-PK2-5X1 (8733951017)	16ft Lineset	

Indoor Unit Dimensions and Connections



Model	Outline dimension (in)				Air outlet dimension (in)				Return air (in)			Mounting (in)		Gas and liquid valve (in)			
	A	B	C	D	E	F	G	H	I	J	K	L	M	H1	H2	W1	W2
BMS500-AAU018-1AHDXB	34.6	8.3	26.5	23.6	5.5	27.8	2.0	5.4	30.8	7.5	1.6	36.2	20.0	3.1	5.8	3.5	4.4

Outdoor Unit Dimensions and Connections



Model	W (in)	D (in)	H (in)	W1 (in)	A (in)	B (in)
BMS500-AAS018-1CSXHB	33.3	14.3	27.6	36.0	21.3	13.8

Climate 5000 Series - 18K Btu Single Zone Hyper Heat System - Ducted IDU



Air Volume

