

Climate 5000 Series

18K BTU Single Zone Hyper Heat System

Wall Mounted IDU

Engineering
Submittal
Sheet



BOSCH

Overview and Project Information



Project Name	
Location	
Architect	
Engineer	
General Contractor	
Reference #	

18K Btu Single Zone Hyper Heat System - Wall Mounted IDU

Indoor model #	8733953096	
Indoor model name	BMS500-AAU018-1AHWXB	
Outdoor model #	8733953117	
Outdoor model name	BMS500-AAS018-1CSXHB	
Performance Data		
Cooling	Capacity (Btu/h):	17000
	Input (W)	1360
	Rated current (A)	5.95
	EER (Btu/w)	12.5
	SEER (Btu/w)	20
Heating at 47°F	Capacity (Btu/h)	18000
	Input (W)	1685
	Rated current (A)	7.4
	COP (W/W)	3.13
	HSPF4	10.3
	HSPF5	8.8
Electrical Data		
Power supply (V / Ø / Hz)	208-230 / 1 / 60	
Min. Circuit ampacity (A)	18.0	
Max. Fuse (A)	25.0	
Compressor Data		
Type:	Twin-Rotary	
Refrigerant oil /oil charge (ml)	POE VG74 / 670	
Input (W)	1970	
Rated current (RLA / A)	12.90	
Piping		
Refrigerant Charge (oz/g)	1950 / 68.8	
Liquid side (in/mm)	1/4" / Ø6.35	
Gas side (in/mm)	1/2" / Ø12.7	
Additional charge per ft (oz)	0.16	
Refrigerant precharge (ft/m)	25 / 7.6	
Max. refrigerant pipe length (ft/m)	98 / 30	
Max. difference in height (ft/m)	66 / 20	

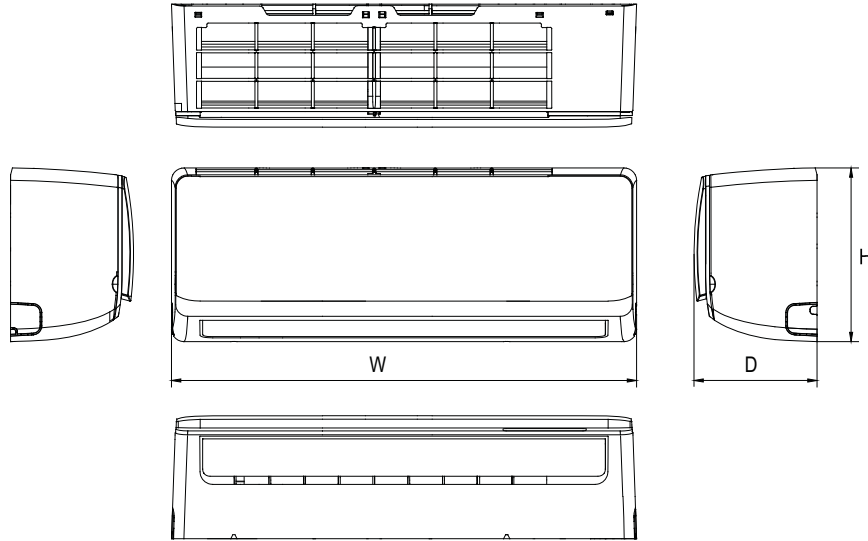
Operation Range

ODU	Cooling (°F / °C)	-22~122 / -30~50
	Heating (°F / °C)	-22~86 / -30~30
IDU	Cooling (°F / °C)	62~90 / 17~32
	Heating (°F / °C)	32~86 / 0~30

System Data

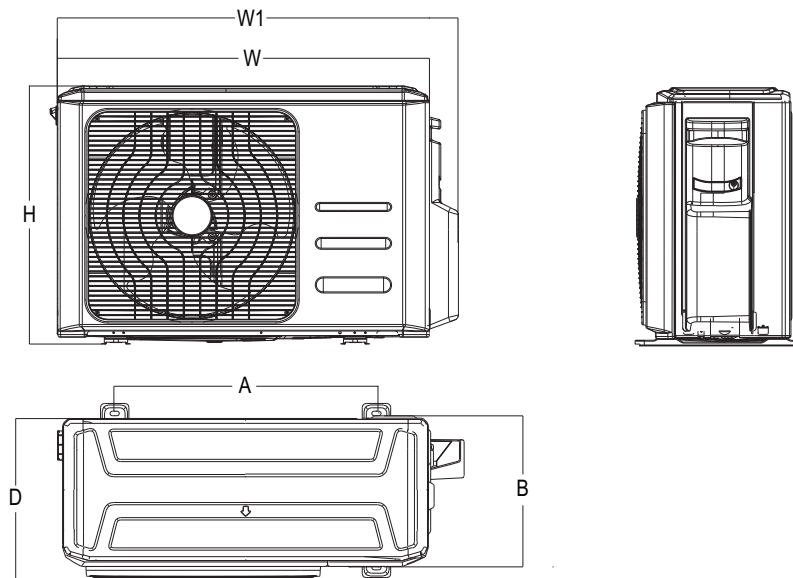
Refrigerant Type		R410A
Design pressure (PSIG)		550/340
Dehumidification (pts/hr)		3.58
IDU	Fan motor qty (ea)	1
	Fan motor input (W)	58.0
	Fan motor RLA (A)	0.40
	Fan speed (RPM)	1100 / 900 / 700
	Air flow, H / M / L (CFM)	599 / 411 / 353
	Noise level, H / M / L (dB(A))	45.5 / 36 / 26.5
	Net weight (lbs / kg)	26.9 / 12.2
	Gross weight (lbs / kg)	34.8 / 15.8
ODU	Fan motor qty (ea)	1
	Fan motor input (W)	115
	Fan motor RLA (A)	0.42
	Fan motor speed (RPM)	850 / 700 / 500
	Air flow, Max (CFM)	1353
	Noise level, Max (dB(A))	57.5
	Net weight (lbs / kg)	107.4 / 48.7
	Gross weight (lbs / kg)	115.1 / 52.2
Accessories		
BMS-WT1-XXX (8733953127)	Wired Wall Thermostat	
BMS-DRY-XXX (8733953129)	24V Interface	
BMS-PK2-7X1 (8733951011)	25ft Lineset	
BMS-PK2-5X1 (8733951017)	16ft Lineset	

Indoor Unit Dimensions and Connections



Model	W (in)	D (in)	H (in)
BMS500-AAU018-1AHWXB	32.9	7.8	11.0

Outdoor Unit Dimensions and Connections



Model	W (in)	D (in)	H (in)	W1 (in)	A (in)	B (in)
BMS500-AAS018-1CSXHB	31.5	13.1	21.8	34.3	20.2	13.4