

Climate 5000 Series

18K BTU Single Zone Regular System

Ducted IDU

Engineering
Submittal
Sheet



BOSCH

Overview and Project Information



Project Name	
Location	
Architect	
Engineer	
General Contractor	
Reference #	

18K Btu Single Zone Regular System - Ducted IDU

Indoor model #	8733953104
Indoor model name	BMS500-AAU018-1AHDXB
Outdoor model #	8733942700
Outdoor model name	BMS500-AAS018-1CSXRA

Performance Data

Mode	Capacity (Btu/h)	Input (W)	Rated current (A)	EER (Btu/w)	SEER (Btu/w)
Cooling	18000	1440	6.6	12.5	19
	18000	1680	7.7	3.14	10.5
	Heating at 47°F				
	18000	1680	7.7	3.14	10.5
	18000	1680	7.7	3.14	10.5

Electrical Data

Power supply (V / Ø / Hz)	208-230 / 1 / 60
Min. Circuit ampacity (A)	15
Max. Fuse (A)	20

Compressor Data

Type:	Rotary
Refrigerant oil /oil charge (ml)	ESTER OIL VG74 / 450
Input (W)	1035
Rated current (RLA / A)	10.50

Piping

Refrigerant Charge (oz/g)	68.8 / 1950
Liquid side (in/mm)	1/4" / Ø6.35
Gas side (in/mm)	1/2" / Ø12.7
Additional charge per ft (oz)	0.16
Refrigerant precharge (ft/m)	25 / 7.6
Max. refrigerant pipe length (ft/m)	98 / 30
Max. difference in height (ft/m)	66 / 20

Operation Range

ODU	Cooling (°F / °C)	-13~122 / -25~50
	Heating (°F / °C)	-13~86 / -25~30
IDU	Cooling (°F / °C)	62~90 / 17~32
	Heating (°F / °C)	32~86 / 0~30

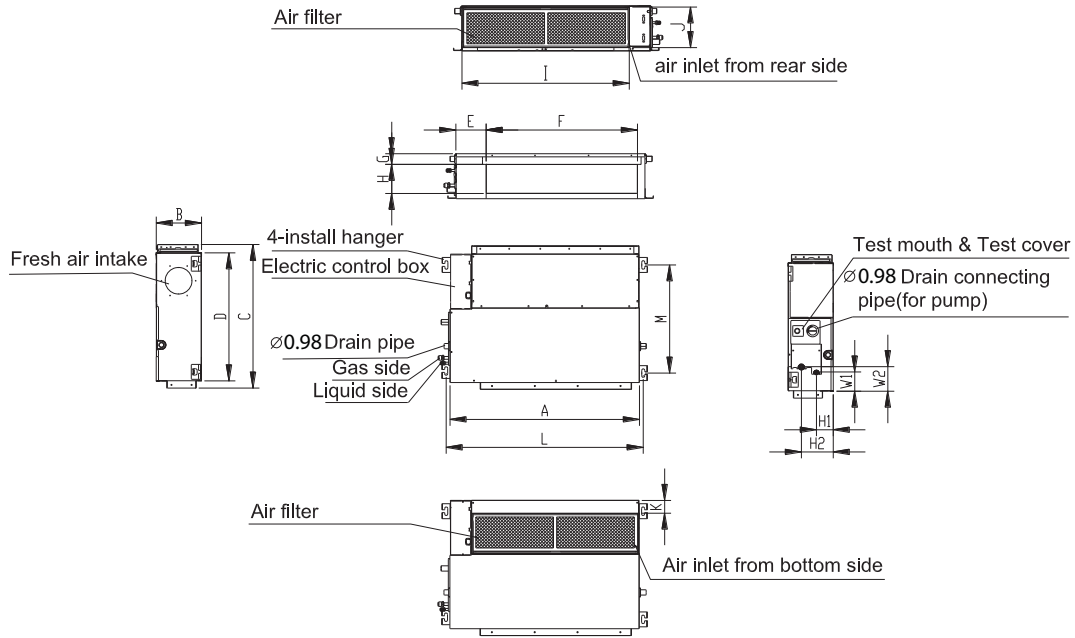
System Data

Refrigerant Type	R410A	
Design pressure (PSIG)	550/340	
Dehumidification (pts/hr)	3.79	
IDU	Fan motor qty (ea)	1
	Fan motor input (W)	90.0
	Fan motor RLA (A)	1.20
	Fan speed (RPM)	850 / 700 / 450
	Air flow, H / M / L (CFM)	530 / 450 / 371
	Noise level, H / M / L (dB(A))	39 / 37 / 35
	Net weight (lbs / kg)	54.0 / 24.5
	Gross weight (lbs / kg)	66.1 / 30.0
	ESP range (Pa)	0 - 100
	Drain pipe diameter (in / mm)	0.98" / 25
ODU	Fan motor qty (ea)	1
	Fan motor input (W)	115
	Fan motor RLA (A)	0.60
	Fan motor speed (RPM)	850 / 750 / 700
	Air flow, Max (CFM)	1353
	Noise level, Max (dB(A))	60.0
	Gross weight (lbs / kg)	112.5 / 51.0

Accessories

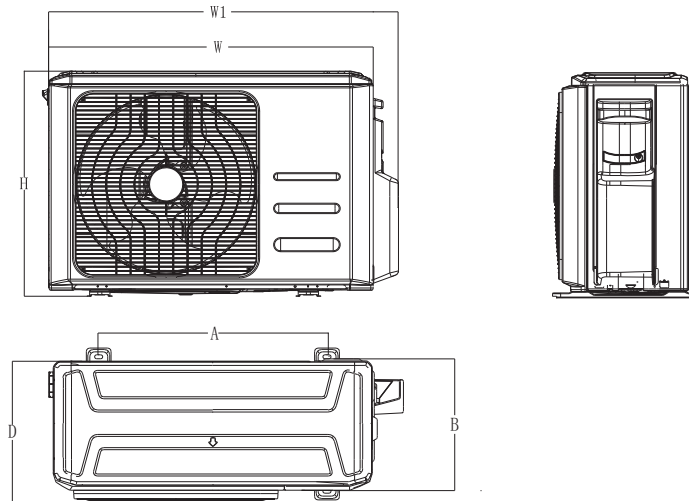
BMS-WT2-XXX (8733953128)	Wired Wall Thermostat
BMS-DRY-XXX (8733953129)	24V Interface
BMS-PK2-7X1 (8733951011)	25ft Lineset
BMS-PK2-5X1 (8733951017)	16ft Lineset

Indoor Unit Dimensions and Connections



Model	Outline dimension (in)				Air outlet dimension (in)				Return air (in)			Mounting (in)		Gas and liquid valve (in)			
	A	B	C	D	E	F	G	H	I	J	K	L	M	H1	H2	W1	W2
BMS500-AAU018-1AHDXB	34.6	8.3	26.5	23.6	5.5	27.8	2.0	5.4	30.8	7.5	1.6	36.2	20.0	3.1	5.8	3.5	4.4

Outdoor Unit Dimensions and Connections



Model	W (in)	D (in)	H (in)	W1 (in)	A (in)	B (in)
BMS500-AAS018-1CSXRA	33.3	14.3	27.6	36.0	21.3	13.8

Climate 5000 Series - 18K Btu Single Zone Regular System - Ducted IDU



Air Volume

