

# Climate 5000 Series 24K BTU Single Zone Hyper Heat System Cassette IDU

Engineering  
Submittal  
Sheet



# BOSCH

## Overview and Project Information



Project Name	
Location	
Architect	
Engineer	
General Contractor	
Reference #	

## 24K Btu Single Zone Hyper Heat System - Cassette IDU

Indoor model #	8733953112	
Indoor model name	BMS500-AAU024-1AHCXB	
Outdoor model #	8733953118	
Outdoor model name	BMS500-AAS024-1CSXHB	
Performance Data		
Cooling	Capacity (Btu/h):	24000
	Input (W)	2182
	Rated current (A)	9.98
	EER (Btu/w)	11
	SEER (Btu/w)	20
Heating at 47°F	Capacity (Btu/h)	24000
	Input (W)	2034
	Rated current (A)	9.31
	COP (W/W)	3.46
	HSPF4	11.5
	HSPF5	10
Electrical Data		
Power supply (V / Ø / Hz)	208-230 / 1 / 60	
Min. Circuit ampacity (A)	20	
Max. Fuse (A)	30	
Compressor Data		
Type:	Twin-Rotary	
Refrigerant oil /oil charge (ml)	ESTER OIL VG74 / 670	
Input (W)	1970	
Rated current (RLA / A)	14.00	
Piping		
Refrigerant Charge (oz/g)	91.7 / 2600	
Liquid side (in/mm)	3/8" / Ø9.52	
Gas side (in/mm)	5/8" / Ø15.9	
Additional charge per ft (oz)	0.32	
Refrigerant precharge (ft/m)	25 / 7.6	
Max. refrigerant pipe length (ft/m)	164 / 50	
Max. difference in height (ft/m)	82 / 25	

## Operation Range

ODU	Cooling (°F / °C)	-22~122 / -30~50
	Heating (°F / °C)	-22~86 / -30~30
IDU	Cooling (°F / °C)	62~90 / 17~32
	Heating (°F / °C)	32~86 / 0~30

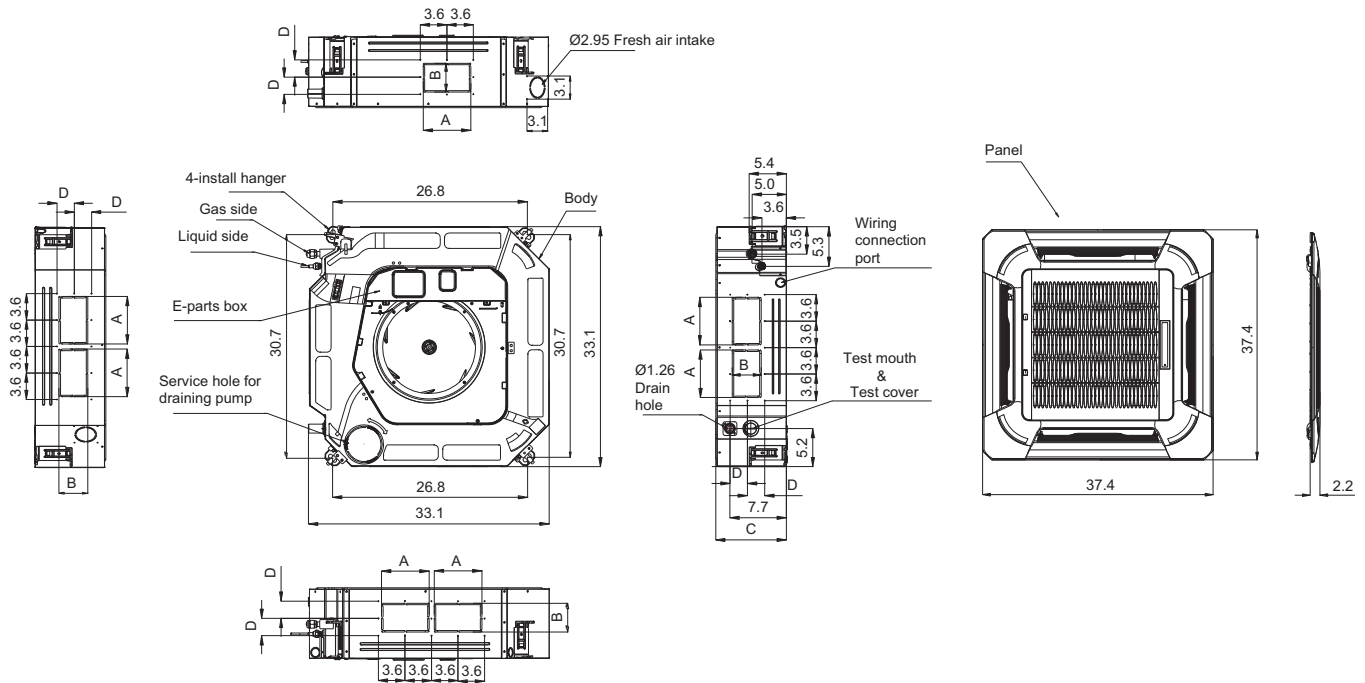
## System Data

Refrigerant Type		R410A
Design pressure (PSIG)		550/340
Dehumidification (pts/hr)		5.5
IDU	Fan motor qty (ea)	1
	Fan motor input (W)	58.0
	Fan motor RLA (A)	2.00
	Fan speed (RPM)	600 / 520 / 450
	Air flow, H / M / L (CFM)	878 / 761 / 625
	Noise level, H / M / L (dB(A))	52 / 50 / 47
	Net weight (lbs / kg)	46.3 / 21.0
	Gross weight (lbs / kg)	54.2 / 24.6
	Panel Net weight (lbs / kg)	11.0 / 5.0
	Panel Gross weight (lbs / kg)	17.6 / 8.0
ODU	Drain pipe diameter (in / mm)	OD 1.26 / 32
	Fan motor qty (ea)	1
	Fan motor input (W)	150
	Fan motor RLA (A)	0.50
	Fan motor speed (RPM)	810 / 700 / 500
	Air flow, Max (CFM)	2353
	Noise level, Max (dB(A))	60.0
Net weight (lbs / kg)	135.6 / 61.5	
Gross weight (lbs / kg)	115.1 / 52.2	
Accessories		
BMS-RCG-XXX (8733953126)	Decorative Grille - 24K ~ 48K	
BMS-WT2-XXX (8733953128)	Wired Wall Thermostat	
BMS-DRY-XXX (8733953129)	24V Interface	
BMS-PK3-7X1 (8733951015)	25ft Lineset	
BMS-PK3-5X1 (8733951018)	16ft Lineset	

# Climate 5000 Series - 24K Btu Single Zone Hyper Heat System - Cassette IDU

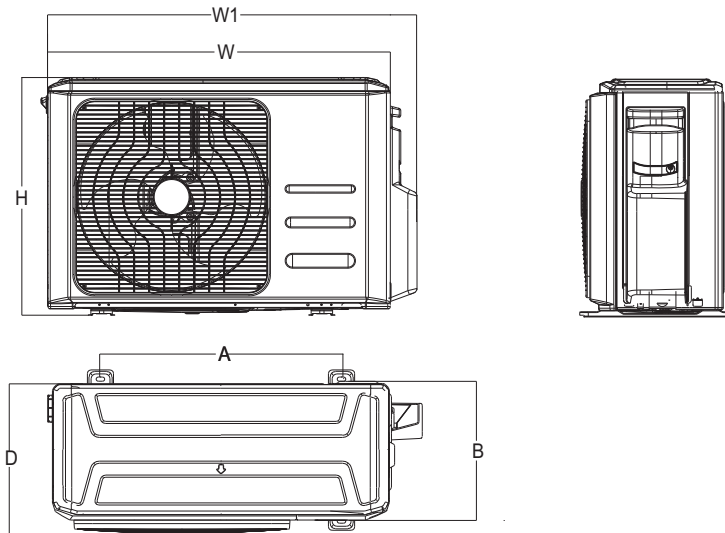


## Indoor Unit Dimensions and Connections



Model	A (in)	B (in)	C (in)	D (in)
BMS500-AAU024-1AHCXB	6.30	2.95	8.07	1.97

## Outdoor Unit Dimensions and Connections



Model	W (in)	D (in)	H (in)	W1 (in)	A (in)	B (in)
BMS500-AAS024-1CSXHB	33.3	14.3	27.6	36.0	21.3	13.8