

Climate 5000 Series

24K BTU Single Zone Regular System

Ducted IDU

Engineering
Submittal
Sheet



BOSCH

Overview and Project Information



Project Name	
Location	
Architect	
Engineer	
General Contractor	
Reference #	

24K Btu Single Zone Regular System - Ducted IDU

Indoor model #	8733953105	
Indoor model name	BMS500-AAU024-1AHDXB	
Outdoor model #	8733942702	
Outdoor model name	BMS500-AAS024-1CSXRA	
Performance Data		
Cooling	Capacity (Btu/h):	24000
	Input (W)	1920
	Rated current (A)	8.8
	EER (Btu/w)	12.5
	SEER (Btu/w)	21.5
Heating at 47°F	Capacity (Btu/h)	24400
	Input (W)	2030
	Rated current (A)	9.3
	COP (W/W)	3.52
	HSPF4	11
HSPF5	9.5	
Electrical Data		
Power supply (V / Ø / Hz)	208-230 / 1 / 60	
Min. Circuit ampacity (A)	18	
Max. Fuse (A)	25	
Compressor Data		
Type:	Twin-Rotary	
Refrigerant oil /oil charge (ml)	ESTER OIL VG74 / 670	
Input (W)	1970	
Rated current (RLA / A)	12.00	
Piping		
Refrigerant Charge (oz/g)	82.9 / 2350	
Liquid side (in/mm)	3/8" / Ø9.52	
Gas side (in/mm)	5/8" / Ø15.9	
Additional charge per ft (oz)	0.32	
Refrigerant precharge (ft/m)	25 / 7.6	
Max. refrigerant pipe length (ft/m)	164 / 50	
Max. difference in height (ft/m)	82 / 25	

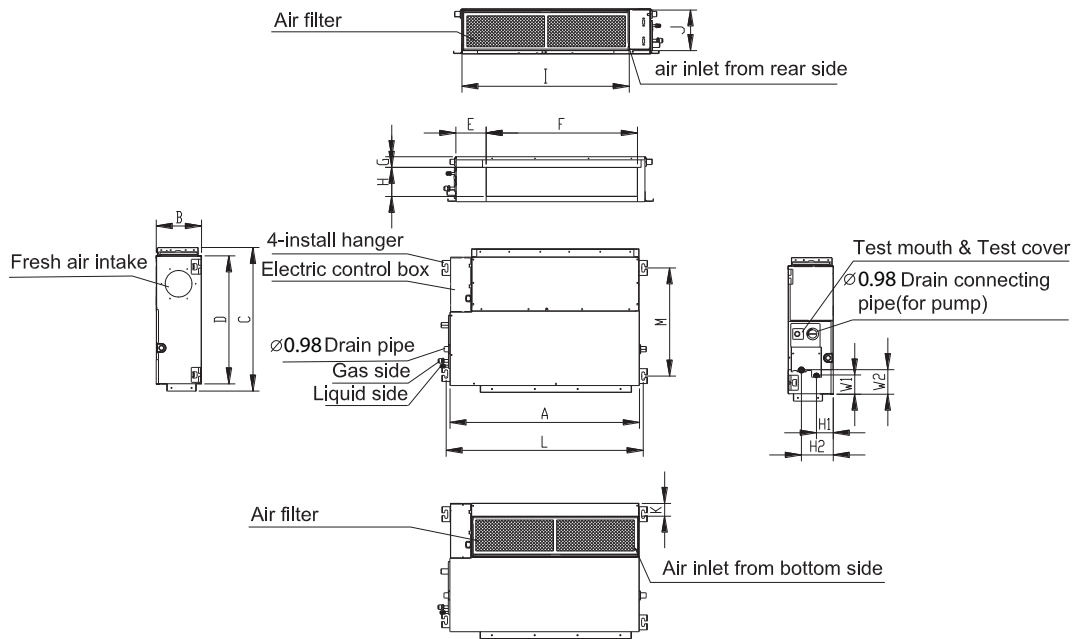
Operation Range

ODU	Cooling (°F / °C)	-13~122 / -25~50
	Heating (°F / °C)	-13~86 / -25~30
IDU	Cooling (°F / °C)	62~90 / 17~32
	Heating (°F / °C)	32~86 / 0~30

System Data

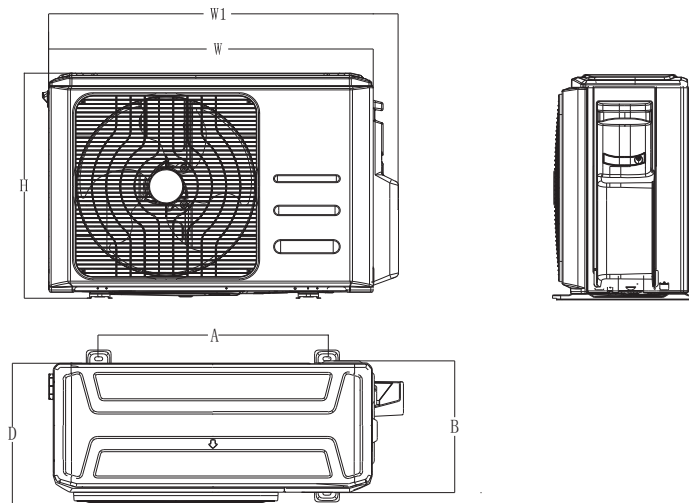
Refrigerant Type	R410A	
Design pressure (PSIG)	550/340	
Dehumidification (pts/hr)	5.5	
IDU	Fan motor qty (ea)	1
	Fan motor input (W)	90.0
	Fan motor RLA (A)	1.50
	Fan speed (RPM)	880 / 820 / 690
	Air flow, H / M / L (CFM)	776 / 694 / 435
	Noise level, H / M / L (dB(A))	44 / 41 / 38
	Net weight (lbs / kg)	87.0 / 39.4
	Gross weight (lbs / kg)	103 / 46.7
	ESP range (Pa)	0 - 160
	Drain pipe diameter (in / mm)	0.98" / 25
ODU	Fan motor qty (ea)	1
	Fan motor input (W)	150
	Fan motor RLA (A)	0.60
	Fan motor speed (RPM)	810 / 700 / 500
	Air flow, Max (CFM)	2353
	Noise level, Max (dB(A))	61.0
	Net weight (lbs / kg)	136.7 / 62.0
Gross weight (lbs / kg)	148.6 / 67.4	
Accessories		
BMS-WT2-XXX (8733953128)	Wired Wall Thermostat	
BMS-DRY-XXX (8733953129)	24V Interface	
BMS-PK3-7X1 (8733951015)	25ft Lineset	
BMS-PK3-5X1 (8733951018)	16ft Lineset	

Indoor Unit Dimensions and Connections



Model	Outline dimension (in)				Air outlet dimension (in)				Return air (in)			Mounting (in)		Gas and liquid valve (in)			
	A	B	C	D	E	F	G	H	I	J	K	L	M	H1	H2	W1	W2
BMS500-AAU024-1AHDXB	43.3	9.8	30.5	27.6	5.5	36.5	2.0	6.9	39.4	9.0	0.2	44.9	23.5	3.1	5.9	5.1	6.1

Outdoor Unit Dimensions and Connections



Model	W (in)	D (in)	H (in)	W1 (in)	A (in)	B (in)
BMS500-AAS024-1CSXRA	37.2	16.1	31.9	40.6	26.5	15.9

Air Volume

