




Climate 5000 Series 27K BTU Multi Zone Hyper Heat Outdoor Unit – Non Ducted

Engineering
Submittal
Sheet



BOSCH

Overview and Project Information	
  	Project Name
	Location
	Architect
	Engineer
	General Contractor
	Reference #
	Date

27K Btu Multi Zone Hyper Heat Outdoor Unit - Non Ducted		
Indoor model #	8733953094 (Qty 3)	
Indoor model name	BMS500-AAU009-1AHWXB (Qty 3)	
Outdoor model #	8733953120	
Outdoor model name	BMS500-AAM027-1CSXHB	
Performance Data		
Cooling	Capacity (Btu/h):	28000
	Input (W)	2154
	Rated current (A)	9.4
	EER (Btu/w)	13
	SEER (Btu/w)	22
Heating at 47°F	Capacity (Btu/h)	28000
	Input (W)	2345
	Rated current (A)	10.2
	COP (W/W)	3.5
	HSPF4	10.4
	HSPF5	9
Electrical Data		
Power supply (V / Ø / Hz)	208-230 / 1 / 60	
Min. Circuit ampacity (A)	30.0	
Max. Fuse (A)	45.0	
Compressor Data		
Type:	Twin-Rotary	
Refrigerant oil /oil charge (ml)	ESTER OIL VG74 / 1000	
Input (W)	2600	
Rated current (RLA / A)	22.00	
Operation Range		
ODU	Cooling (°F / °C)	-22~122 / -30~50
	Heating (°F / °C)	-22~86 / -30~30

Piping		
Refrigerant precharge (ft / m)	74 / 23	
Refrigerant charge (oz / g)	105.8 / 2999	
Additional charge per ft (oz)	0.161	
Liquid side (in / mm)	3 X 1/4" / Ø6.35	
Gas side (in / mm)	3 X 3/8" / Ø9.52	
Max. refrigerant pipe length (ft / m)	197 / 60	
Max. length to one IDU (ft / m)	98 / 30	
Max. height difference between IDU and ODU (ft / m)	49 / 15	
Max. height difference between IDU's (ft / m)	33 / 10	
System Data		
Refrigerant Type	R410A	
Design pressure (PSIG)	550/340	
Dehumidification (pts/hr)	6.33	
ODU	Fan motor qty (ea)	1
	Fan motor input (W)	150.0
	Fan motor RLA (A)	1.39
	Fan motor speed, H / M / L (RPM)	900 / 750 / 600
	Air flow, Max (CFM)	2147
	Noise level, Max (dB(A))	62.3
IDU	Net weight (lbs / kg)	156.5 / 71.0
	Gross weight (lbs / kg)	167.6 / 76.0
	Minimum # of indoors	2
	Maximum # of indoors	3

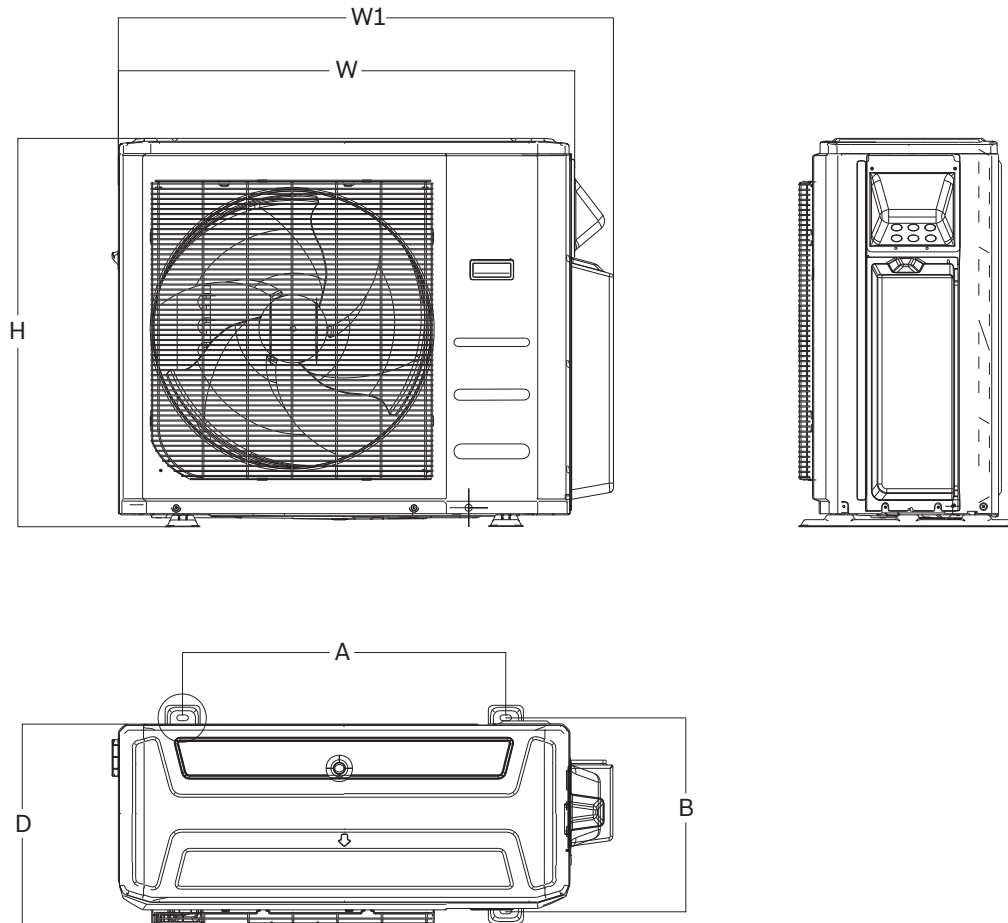
Climate 5000 Series

27K Btu Multi Zone Hyper Heat Outdoor Unit – Non Ducted



BOSCH

Outdoor Unit Dimensions and Connections



Model	W (in)	D (in)	H (in)	W1 (in)	A (in)	B (in)
BMS500-AAM027-1CSXHB	37.2	16.5	31.9	40.6	26.5	15.9