




Climate 5000 Series 36K BTU Multi Zone Regular System Outdoor Unit – Ducted

Engineering
Submittal
Sheet



BOSCH

Overview and Project Information	
  	Project Name
	Location
	Architect
	Engineer
	General Contractor
	Reference #
	Date

36K Btu Multi Zone Regular System Outdoor Unit - Ducted		
Indoor model #	8733953094 (Qty 4)	
Indoor model name	BMS500-AAU009-1AHWXB (Qty 4)	
Outdoor model #	8733942705	
Outdoor model name	BMS500-AAM036-1CSXRA	
Performance Data		
Cooling	Capacity (Btu/h):	36000
	Input (W)	3600
	Rated current (A)	15.7
	EER (Btu/w)	10
	SEER (Btu/w)	21
Heating at 47°F	Capacity (Btu/h)	37000
	Input (W)	3046
	Rated current (A)	13.2
	COP (W/W)	3.56
	HSPF4	10
HSPF5	8.3	
Electrical Data		
Power supply (V / Ø / Hz)	208-230 / 1 / 60	
Min. Circuit ampacity (A)	30.0	
Max. Fuse (A)	45.0	
Compressor Data		
Type:	Twin-Rotary	
Refrigerant oil /oil charge (ml)	ESTER OIL VG74 / 1000	
Input (W)	2600	
Rated current (RLA / A)	22.00	
Operation Range		
ODU	Cooling (°F / °C)	-13~122 / -25~50
	Heating (°F / °C)	-13~86 / -25~30

Piping		
Refrigerant precharge (ft / m)	98 / 30	
Refrigerant charge (oz / g)	105.8 / 2999	
Additional charge per ft (oz)	0.161	
Liquid side (in / mm)	4 x 1/4" / Ø6.35	
Gas side (in / mm)	3 x 3/8" + 1 x 1/2" 3 x Ø9.52 + 1 x Ø12.7	
Max. refrigerant pipe length (ft / m)	262 / 80	
Max. length to one IDU (ft / m)	115 / 35	
Max. height difference between IDU and ODU (ft / m)	49 / 15	
Max. height difference between IDU's (ft / m)	33 / 10	
System Data		
Refrigerant Type	R410A	
Design pressure (PSIG)	550/340	
Dehumidification (pts/hr)	8.45	
ODU	Fan motor qty (ea)	1
	Fan motor input (W)	150.0
	Fan motor RLA (A)	1.39
	Fan motor speed, H / M / L (RPM)	900 / 750 / 600
	Air flow, Max (CFM)	2147
	Noise level, Max (dB(A))	62.3
	Net weight (lbs / kg)	156.5 / 71.0
Gross weight (lbs / kg)	167.6 / 76.0	
IDU	Minimum # of indoors	2
	Maximum # of indoors	4

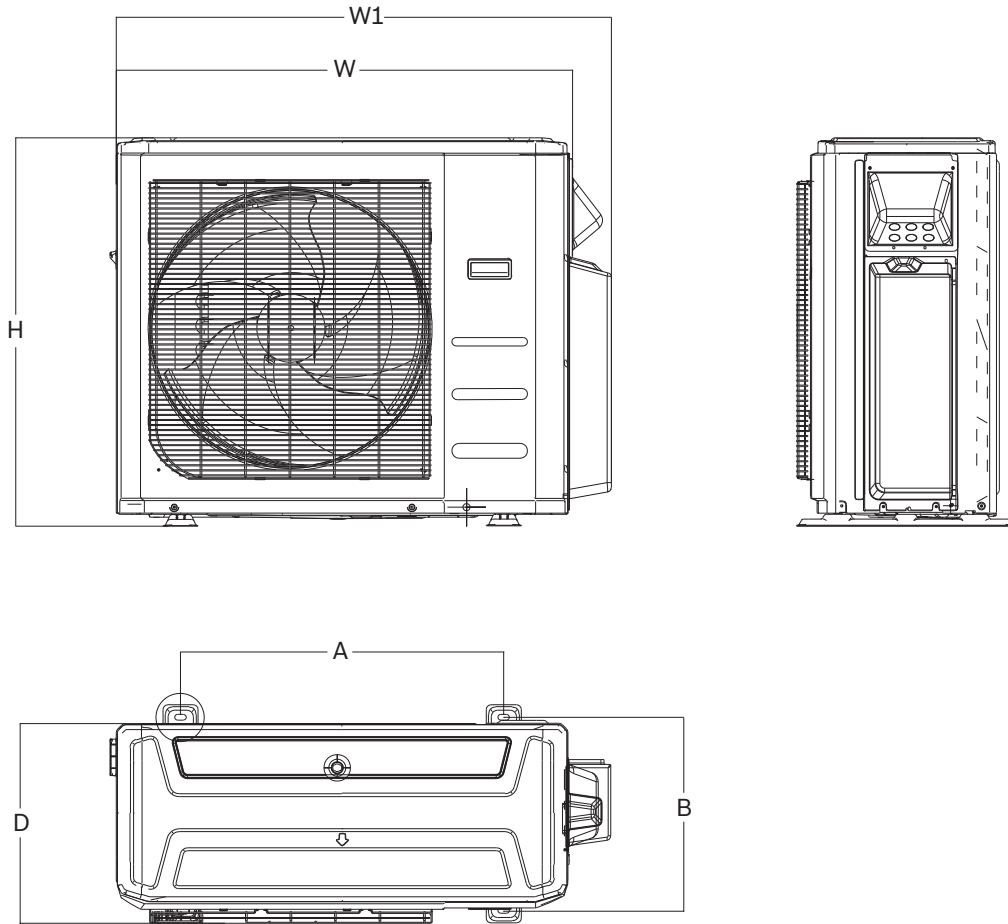
Climate 5000 Series

36K Btu Multi Zone Regular System Outdoor Unit – Ducted



BOSCH

Outdoor Unit Dimensions and Connections



Model	W (in)	D (in)	H (in)	W1 (in)	A (in)	B (in)
BMS500-AAM036-1CSXRA	37.2	16.5	31.9	40.6	26.5	15.9