

Climate 5000 Series

36K BTU Single Zone Light Commercial System

Ducted IDU

Engineering
Submittal
Sheet



BOSCH

Overview and Project Information



Project Name	
Location	
Architect	
Engineer	
General Contractor	
Reference #	

36K Btu Single Zone Light Commercial System - Ducted IDU

Indoor model #	8733953106	
Indoor model name	BMS500-AAU036-1AHDXB	
Outdoor model #	8733953122	
Outdoor model name	BMS500-AAS036-1CSXLB	
Performance Data		
Cooling	Capacity (Btu/h):	36000
	Input (W)	4000
	Rated current (A)	18.3
	EER (Btu/w)	9
	SEER (Btu/w)	16.5
Heating at 47°F	Capacity (Btu/h)	40000
	Input (W)	3478
	Rated current (A)	15.9
	COP (W/W)	3.37
	HSPF4	11.5
	HSPF5	10
Electrical Data		
Power supply (V / Ø / Hz)	208-230 / 1 / 60	
Min. Circuit ampacity (A)	30	
Max. Fuse (A)	50	
Compressor Data		
Type:	Rotary	
Refrigerant oil /oil charge (ml)	ESTER OIL VG74 / 1000	
Input (W)	2600	
Rated current (RLA / A)	22.00	
Piping		
Refrigerant Charge (oz/g)	107.6 / 3050	
Liquid side (in/mm)	3/8" / Ø9.52	
Gas side (in/mm)	5/8" / Ø15.9	
Additional charge per ft (oz)	0.32	
Refrigerant precharge (ft/m)	25 / 7.6	
Max. refrigerant pipe length (ft/m)	213 / 65	
Max. difference in height (ft/m)	98 / 30	

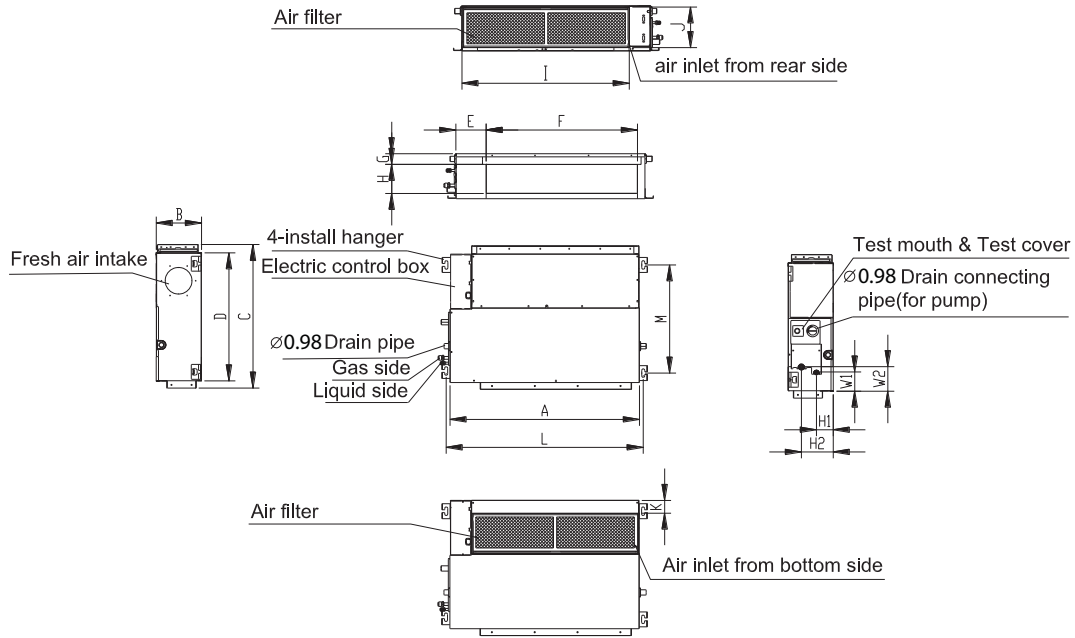
Operation Range

ODU	Cooling (°F / °C)	5~122 / -15~50
	Heating (°F / °C)	5~86 / -15~30
IDU	Cooling (°F / °C)	62~90 / 17~32
	Heating (°F / °C)	32~86 / 0~30

System Data

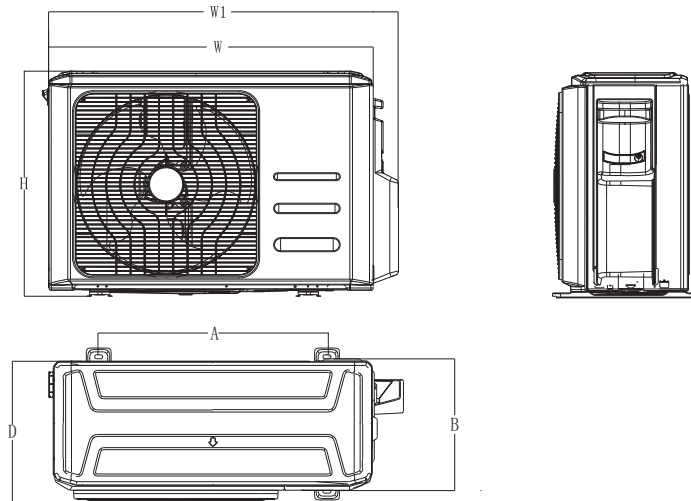
Refrigerant Type	R410A	
Design pressure (PSIG)	550/340	
Dehumidification (pts/hr)	8.45	
IDU	Fan motor qty (ea)	1
	Fan motor input (W)	250.0
	Fan motor RLA (A)	1.60
	Fan speed (RPM)	1130 / 1050 / 990
	Air flow, H / M / L (CFM)	1082 / 912 / 703
	Noise level, H / M / L (dB(A))	45.5 / 42 / 39
	Net weight (lbs / kg)	106 / 48.3
	Gross weight (lbs / kg)	122 / 55.5
	ESP range (Pa)	0 - 160
	Drain pipe diameter (in / mm)	0.98" / 25
ODU	Fan motor qty (ea)	1
	Fan motor input (W)	150
	Fan motor RLA (A)	1.00
	Fan motor speed (RPM)	950
	Air flow, Max (CFM)	2530
	Noise level, Max (dB(A))	66.0
	Gross weight (lbs / kg)	148.6 / 67.4
Gross weight (lbs / kg)	160.9 / 73.0	
Accessories		
BMS-WT2-XXX (8733953128)	Wired Wall Thermostat	
BMS-DRY-XXX (8733953129)	24V Interface	
BMS-PK3-7X1 (8733951015)	25ft Lineset	
BMS-PK3-5X1 (8733951018)	16ft Lineset	

Indoor Unit Dimensions and Connections



Model	Outline dimension (in)				Air outlet dimension (in)				Return air (in)			Mounting (in)		Gas and liquid valve (in)			
	A	B	C	D	E	F	G	H	I	J	K	L	M	H1	H2	W1	W2
BMS500-AAU036-1AHDXB	53.5	9.8	30.5	27.6	5.5	46.7	2.0	6.9	49.6	9.0	0.2	55.1	23.5	3.1	5.9	5.1	6.1

Outdoor Unit Dimensions and Connections



Model	W (in)	D (in)	H (in)	W1 (in)	A (in)	B (in)
BMS500-AAS036-1CSXLB	37.2	16.1	31.9	40.6	26.5	15.9

Air Volume

