

Climate 5000 Series




36K BTU Single Zone Regular System

Cassette IDU

Engineering
Submittal
Sheet



BOSCH

Overview and Project Information	
  	Project Name
	Location
	Architect
	Engineer
	General Contractor
	Reference #

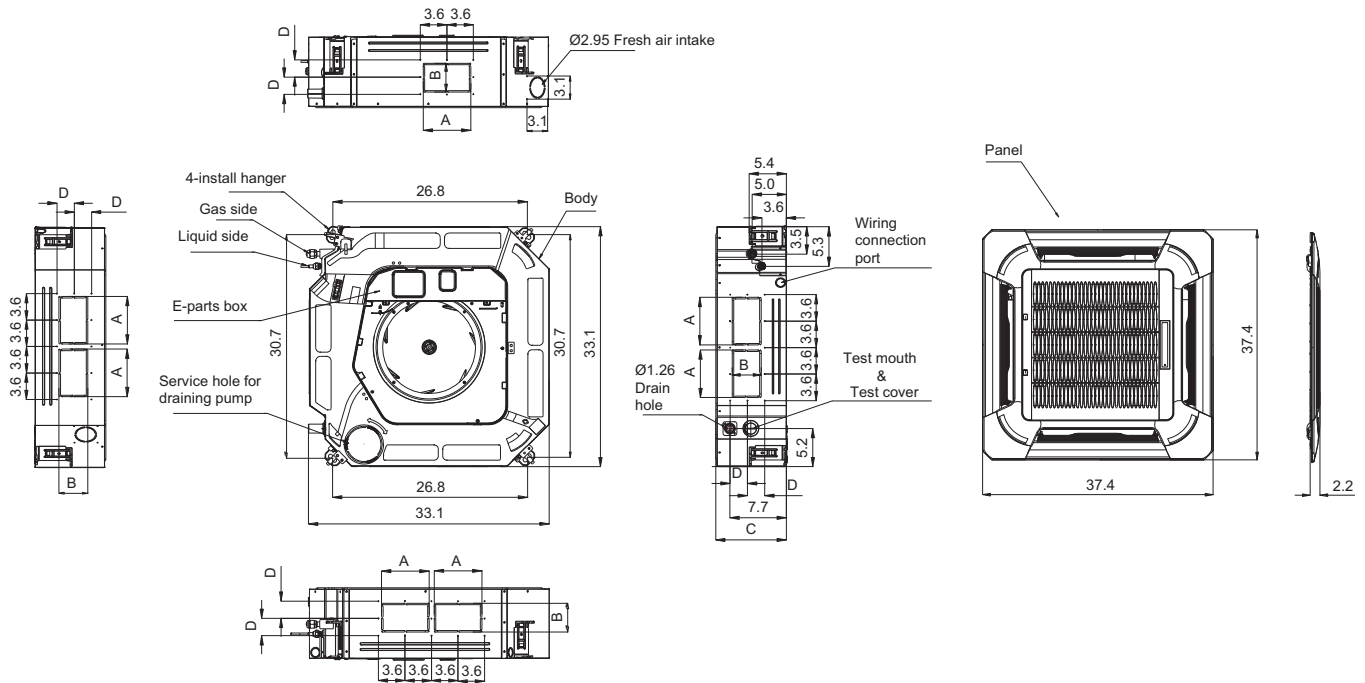
36K Btu Single Zone Regular System - Cassette IDU		
Indoor model #	8733953113	
Indoor model name	BMS500-AAU036-1AHCXB	
Outdoor model #	8733953122	
Outdoor model name	BMS500-AAS036-1CSXLB	
Performance Data		
Cooling	Capacity (Btu/h):	36000
	Input (W)	4000
	Rated current (A)	16.7
	EER (Btu/w)	9
	SEER (Btu/w)	17.5
Heating at 47°F	Capacity (Btu/h)	38000
	Input (W)	3700
	Rated current (A)	16.93
	COP (W/W)	3.01
	HSPF4	10.5
	HSPF5	9.1
Electrical Data		
Power supply (V / Ø / Hz)	208-230 / 1 / 60	
Min. Circuit ampacity (A)	30	
Max. Fuse (A)	50	
Compressor Data		
Type:	Twin-Rotary	
Refrigerant oil /oil charge (ml)	ESTER OIL VG74 / 1000	
Input (W)	2600	
Rated current (RLA / A)	22.00	
Piping		
Refrigerant Charge (oz/g)	107.6 / 3050	
Liquid side (in/mm)	3/8" / Ø9.52	
Gas side (in/mm)	5/8" / Ø15.9	
Additional charge per ft (oz)	0.32	
Refrigerant precharge (ft/m)	25 / 7.6	
Max. refrigerant pipe length (ft/m)	213 / 65	
Max. difference in height (ft/m)	98 / 30	

Operation Range		
ODU	Cooling (°F / °C)	5~122 / -15~50
	Heating (°F / °C)	5~86 / -15~30
IDU	Cooling (°F / °C)	62~90 / 17~32
	Heating (°F / °C)	32~86 / 0~30
System Data		
Refrigerant Type		R410A
Design pressure (PSIG)		550/340
Dehumidification (pts/hr)		8.45
IDU	Fan motor qty (ea)	1
	Fan motor input (W)	141.0
	Fan motor RLA (A)	1.50
	Fan speed (RPM)	720 / 630 / 560
	Air flow, H / M / L (CFM)	1095 / 958 / 809
	Noise level, H / M / L (dB(A))	55 / 52 / 49
	Net weight (lbs / kg)	58.2 / 26.4
	Gross weight (lbs / kg)	66.1 / 30.0
	Panel Net weight (lbs / kg)	11.0 / 5.0
	Panel Gross weight (lbs / kg)	17.6 / 8.0
ODU	Drain pipe diameter (in / mm)	OD 1.26 / 32
	Fan motor qty (ea)	1
	Fan motor input (W)	150
	Fan motor RLA (A)	1.00
	Fan motor speed (RPM)	950
	Air flow, Max (CFM)	2530
	Noise level, Max (dB(A))	66.0
Net weight (lbs / kg)	148.6 / 67.4	
Gross weight (lbs / kg)	160.9 / 73.0	
Accessories		
BMS-RCG-XXX (8733953126)	Decorative Grille - 24K ~ 48K	
BMS-WT2-XXX (8733953128)	Wired Wall Thermostat	
BMS-DRY-XXX (8733953129)	24V Interface	
BMS-PK3-7X1 (8733951015)	25ft Lineset	
BMS-PK3-5X1 (8733951018)	16ft Lineset	

Climate 5000 Series - 36K Btu Single Zone Regular System - Cassette IDU

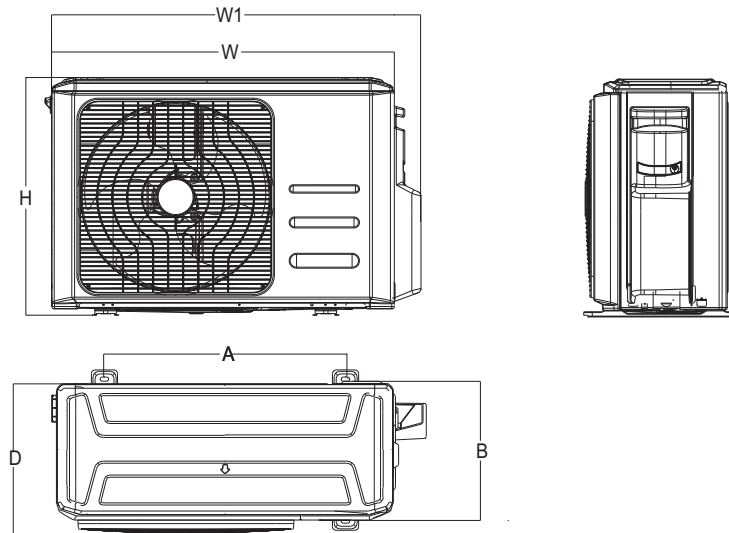


Indoor Unit Dimensions and Connections



Model	A (in)	B (in)	C (in)	D (in)
BMS500-AAU036-1AHCXB	6.30	3.74	9.65	2.36

Outdoor Unit Dimensions and Connections



Model	W (in)	D (in)	H (in)	W1 (in)	A (in)	B (in)
BMS500-AAS036-1CSXLB	37.2	16.1	31.9	40.6	26.5	15.9