

# Climate 5000 Series

## 48K BTU Single Zone Light Commercial System

### Ducted IDU

Engineering  
Submittal  
Sheet



# BOSCH

#### Overview and Project Information



Project Name	
Location	
Architect	
Engineer	
General Contractor	
Reference #	

#### 48K Btu Single Zone Light Commercial System - Ducted IDU

Indoor model #	8733953107	
Indoor model name	BMS500-AAU048-1AHDXB	
Outdoor model #	8733953123	
Outdoor model name	BMS500-AAS048-1CSXLB	
Performance Data		
Cooling	Capacity (Btu/h):	48000
	Input (W)	5217
	Rated current (A)	23.14
	EER (Btu/w)	9.2
	SEER (Btu/w)	17.4
Heating at 47°F	Capacity (Btu/h)	49500
	Input (W)	4125
	Rated current (A)	18.3
	COP (W/W)	3.52
	HSPF4	10.3
HSPF5	8.8	
Electrical Data		
Power supply (V / Ø / Hz)	208-230 / 1 / 60	
Min. Circuit ampacity (A)	35	
Max. Fuse (A)	50	
Compressor Data		
Type:	Twin-Rotary	
Refrigerant oil /oil charge (ml)	ESTER OIL VG74 / 1400	
Input (W)	3420	
Rated current (RLA / A)	23.50	
Piping		
Refrigerant Charge (oz/g)	148.2 / 4200	
Liquid side (in/mm)	3/8" / Ø9.52	
Gas side (in/mm)	5/8" / Ø15.9	
Additional charge per ft (oz)	0.32	
Refrigerant precharge (ft/m)	25 / 7.6	
Max. refrigerant pipe length (ft/m)	213 / 65	
Max. difference in height (ft/m)	98 / 30	

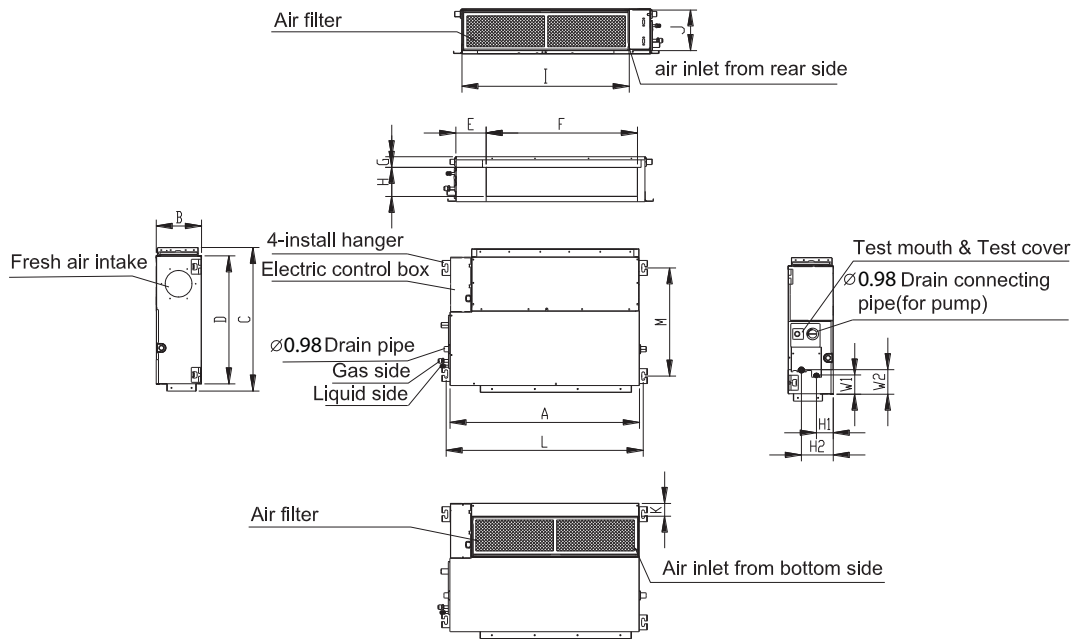
#### Operation Range

ODU	Cooling (°F / °C)	5~122 / -15~50
	Heating (°F / °C)	5~86 / -15~30
IDU	Cooling (°F / °C)	62~90 / 17~32
	Heating (°F / °C)	32~86 / 0~30

#### System Data

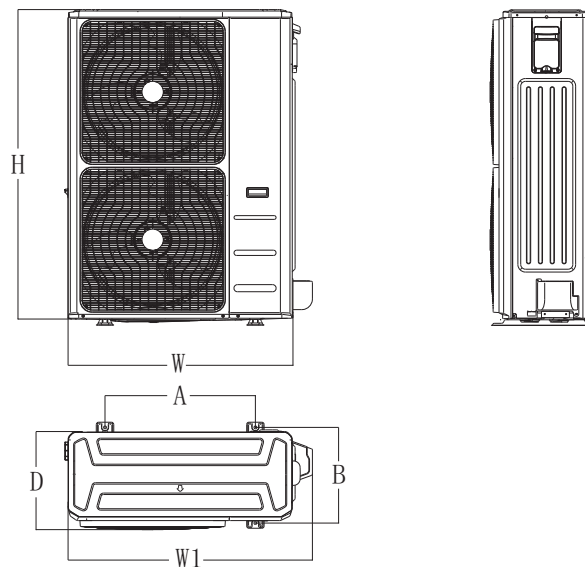
Refrigerant Type	R410A	
Design pressure (PSIG)	550/340	
Dehumidification (pts/hr)	11.2	
IDU	Fan motor qty (ea)	1
	Fan motor input (W)	560.0
	Fan motor RLA (A)	2.00
	Fan speed (RPM)	890 / 820 / 840
	Air flow, H / M / L (CFM)	1229 / 1032 / 715
	Noise level, H / M / L (dB(A))	50.5 / 47 / 43
	Net weight (lbs / kg)	120 / 54.3
	Gross weight (lbs / kg)	142 / 64.3
	ESP range (Pa)	0 - 160
	Drain pipe diameter (in / mm)	0.98" / 25
ODU	Fan motor qty (ea)	2
	Fan motor input (W)	126
	Fan motor RLA (A)	0.39
	Fan motor speed (RPM)	900
	Air flow, Max (CFM)	4470
	Noise level, Max (dB(A))	62.5
	Net weight (lbs / kg)	217.4 / 98.6
Gross weight (lbs / kg)	246.0 / 111.6	
Accessories		
BMS-WT2-XXX (8733953128)	Wired Wall Thermostat	
BMS-DRY-XXX (8733953129)	24V Interface	
BMS-PK3-7X1 (8733951015)	25ft Lineset	
BMS-PK3-5X1 (8733951018)	16ft Lineset	

**Indoor Unit Dimensions and Connections**



Model	Outline dimension (in)				Air outlet dimension (in)				Return air (in)			Mounting (in)		Gas and liquid valve (in)			
	A	B	C	D	E	F	G	H	I	J	K	L	M	H1	H2	W1	W2
BMS500-AAU048-1AHDXB	47.2	11.8	34.4	31.5	4.8	41.1	2.0	8.9	43.3	11.0	0.2	48.8	27.4	3.1	5.9	7.3	8.3

**Outdoor Unit Dimensions and Connections**



Model	W (in)	D (in)	H (in)	W1 (in)	A (in)	B (in)
BMS500-AAS048-1CSXLB	37.5	16.3	52.5	41.1	25.0	15.9

**Air Volume**

