

Climate 5000 Series

48K BTU Single Zone Regular System

Cassette IDU

Engineering
Submittal
Sheet



BOSCH

Overview and Project Information



Project Name	
Location	
Architect	
Engineer	
General Contractor	
Reference #	

48K Btu Single Zone Regular System - Cassette IDU

Indoor model #	8733953114	
Indoor model name	BMS500-AAU048-1AHCXB	
Outdoor model #	8733953123	
Outdoor model name	BMS500-AAS048-1CSXLB	
Performance Data		
Cooling	Capacity (Btu/h):	48000
	Input (W)	5053
	Rated current (A)	23.1
	EER (Btu/w)	9.5
	SEER (Btu/w)	16.8
Heating at 47°F	Capacity (Btu/h)	50000
	Input (W)	4727
	Rated current (A)	21.6
	COP (W/W)	3.10
	HSPF4	11.0
	HSPF5	9.4
Electrical Data		
Power supply (V / Ø / Hz)	208-230 / 1 / 60	
Min. Circuit ampacity (A)	35	
Max. Fuse (A)	50	
Compressor Data		
Type:	Twin-Rotary	
Refrigerant oil /oil charge (ml)	ESTER OIL VG74 / 1400	
Input (W)	3420	
Rated current (RLA / A)	23.5	
Piping		
Refrigerant Charge (oz/g)	148.2 / 4200	
Liquid side (in/mm)	3/8" / Ø9.52	
Gas side (in/mm)	5/8" / Ø15.9	
Additional charge per ft (oz)	0.32	
Refrigerant precharge (ft/m)	25 / 7.6	
Max. refrigerant pipe length (ft/m)	213 / 65	
Max. difference in height (ft/m)	98 / 30	

Operation Range

ODU	Cooling (°F / °C)	5~122 / -15~50
	Heating (°F / °C)	5~86 / -15~30
IDU	Cooling (°F / °C)	62~90 / 17~32
	Heating (°F / °C)	32~86 / 0~30

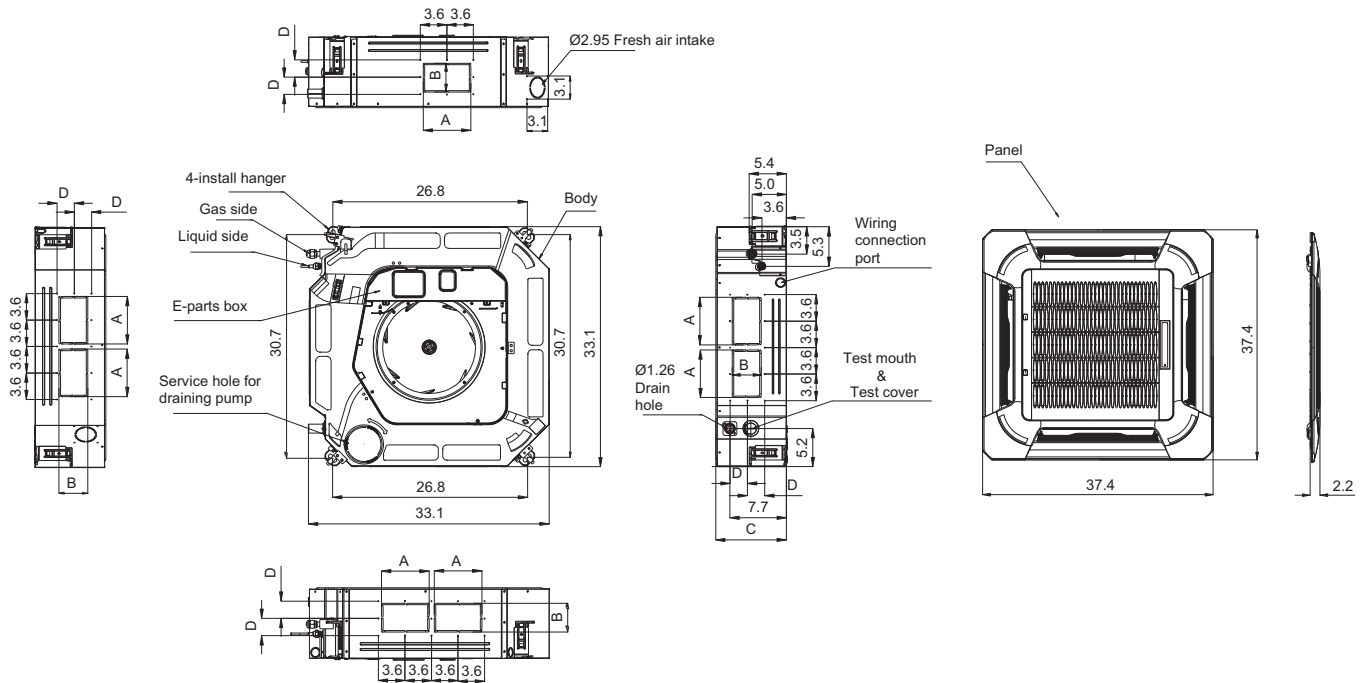
System Data

Refrigerant Type	R410A	
Design pressure (PSIG)	550/340	
Dehumidification (pts/hr)	11.2	
IDU	Fan motor qty (ea)	1
	Fan motor input (W)	232.0
	Fan motor RLA (A)	1.60
	Fan speed (RPM)	900 / 800 / 700
	Air flow, H / M / L (CFM)	1177 / 1030 / 853
	Noise level, H / M / L (dB(A))	55 / 52 / 49
	Net weight (lbs / kg)	63.3 / 28.8
	Gross weight (lbs / kg)	72.5 / 32.9
	Panel Net weight (lbs / kg)	11.0 / 5.0
	Panel Gross weight (lbs / kg)	17.6 / 8.0
Drain pipe diameter (in / mm)	OD 1.26 / 32	
ODU	Fan motor qty (ea)	2
	Fan motor input (W)	126
	Fan motor RLA (A)	0.39
	Fan motor speed (RPM)	900
	Air flow, Max (CFM)	4470
	Noise level, Max (dB(A))	62.5
	Net weight (lbs / kg)	217.4 / 98.6
Gross weight (lbs / kg)	246.0 / 111.6	
Accessories		
BMS-RCG-XXX (8733953126)	Decorative Grille - 24K ~ 48K	
BMS-WT2-XXX (8733953128)	Wired Wall Thermostat	
BMS-DRY-XXX (8733953129)	24V Interface	
BMS-PK3-7X1 (8733951015)	25ft Lineset	
BMS-PK3-5X1 (8733951018)	16ft Lineset	

Climate 5000 Series - 48K Btu Single Zone Regular System - Cassette IDU

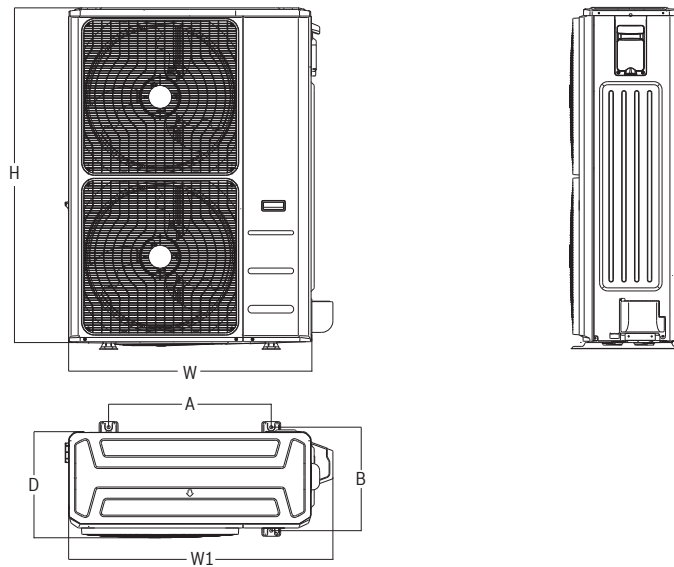


Indoor Unit Dimensions and Connections



Model	A (in)	B (in)	C (in)	D (in)
BMS500-AAU048-1AHCXB	6.30	3.74	11.30	2.36

Outdoor Unit Dimensions and Connections



Model	W (in)	D (in)	H (in)	W1 (in)	A (in)	B (in)
BMS500-AAS048-1CSXLB	37.5	16.3	52.5	41.1	25.0	15.9