

Climate 5000 Series

60K BTU Single Zone Light Commercial System

Ducted IDU

Engineering
Submittal
Sheet



BOSCH

Overview and Project Information



Project Name	
Location	
Architect	
Engineer	
General Contractor	
Reference #	

60K Btu Single Zone Light Commercial System - Ducted IDU

Indoor model #	8733953108	
Indoor model name	BMS500-AAU060-1AHDXB	
Outdoor model #	8733953124	
Outdoor model name	BMS500-AAS060-1CSXLB	
Performance Data		
Cooling	Capacity (Btu/h):	57000
	Input (W)	5700
	Rated current (A)	25
	EER (Btu/w)	10
	SEER (Btu/w)	18
Heating at 47°F	Capacity (Btu/h)	62000
	Input (W)	5048
	Rated current (A)	23.1
	COP (W/W)	3.6
	HSPF4	9.0
	HSPF5	7.6
Electrical Data		
Power supply (V / Ø / Hz)	208-230 / 1 / 60	
Min. Circuit ampacity (A)	36	
Max. Fuse (A)	50	
Compressor Data		
Type:	Twin-Rotary	
Refrigerant oil /oil charge (ml)	ESTER OIL VG74 / 1400	
Input (W)	3420	
Rated current (RLA / A)	23.50	
Piping		
Refrigerant Charge (oz/g)	163 / 4600	
Liquid side (in/mm)	3/8" / Ø9.52	
Gas side (in/mm)	3/4" / Ø19	
Additional charge per ft (oz)	0.32	
Refrigerant precharge (ft/m)	25 / 7.6	
Max. refrigerant pipe length (ft/m)	213 / 65	
Max. difference in height (ft/m)	98 / 30	

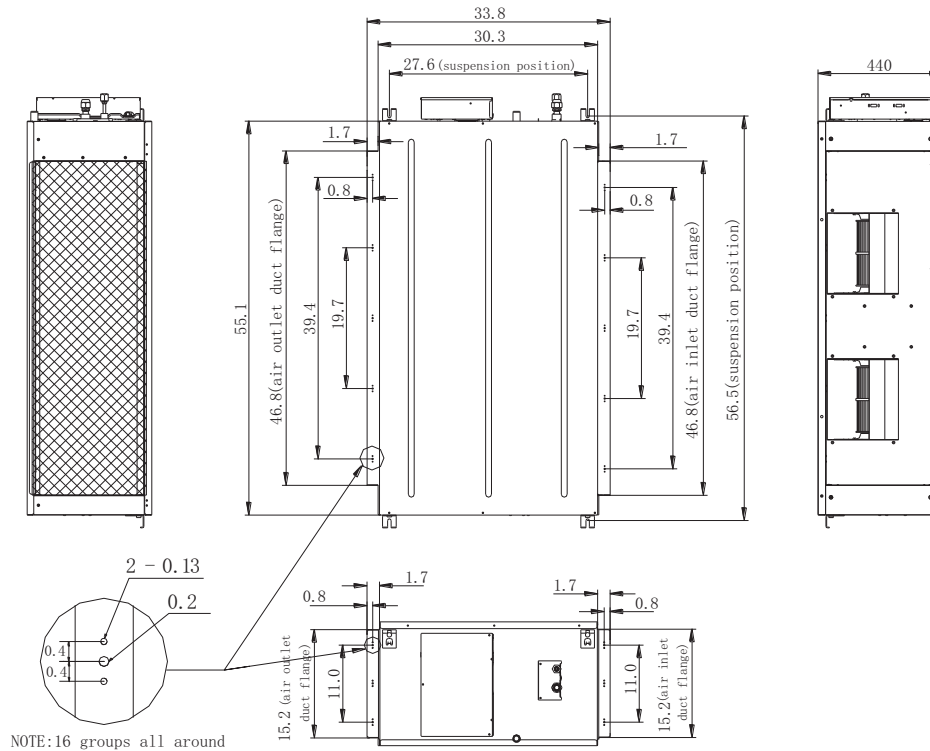
Operation Range

ODU	Cooling (°F / °C)	5~122 / -15~50
	Heating (°F / °C)	5~86 / -15~30
IDU	Cooling (°F / °C)	62~90 / 17~32
	Heating (°F / °C)	32~86 / 0~30

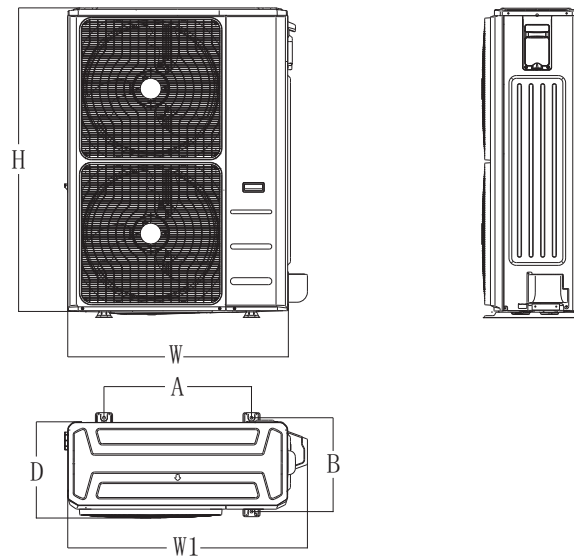
System Data

Refrigerant Type		R410A
Design pressure (PSIG)		550/340
Dehumidification (pts/hr)		13.3
IDU	Fan motor qty (ea)	1
	Fan motor input (W)	420.0
	Fan motor RLA (A)	3.65
	Fan speed (RPM)	1060 / 910 / 790
	Air flow, H / M / L (CFM)	2157 / 1710 / 1262
	Noise level, H / M / L (dB(A))	50.5 / 47 / 43
	Net weight (lbs / kg)	163.1 / 74.0
	Gross weight (lbs / kg)	189.6 / 86.0
	ESP range (Pa)	0 - 200
	Drain pipe diameter (in / mm)	0.98" / 25
ODU	Fan motor qty (ea)	2
	Fan motor input (W)	126
	Fan motor RLA (A)	0.39
	Fan motor speed (RPM)	900
	Air flow, Max (CFM)	4470
	Noise level, Max (dB(A))	65
	Net weight (lbs / kg)	224.9 / 102.1
Gross weight (lbs / kg)	254.4 / 115.4	
Accessories		
BMS-WT2-XXX (8733953128)	Wired Wall Thermostat	
BMS-DRY-XXX (8733953129)	24V Interface	

Indoor Unit Dimensions and Connections



Outdoor Unit Dimensions and Connections



Model	W (in)	D (in)	H (in)	W1 (in)	A (in)	B (in)
BMS500-AAS060-1CSXLB	37.5	16.3	52.5	41.1	25.0	15.9

Air Volume

