

Climate 5000 Series 9K BTU Single Zone Hyper Heat System Cassette IDU

Engineering
Submittal
Sheet



BOSCH

Overview and Project Information



Project Name	
Location	
Architect	
Engineer	
General Contractor	
Reference #	

9K Btu Single Zone Hyper Heat System - Cassette IDU

Indoor model #	8733953109
Indoor model name	BMS500-AAU009-1AHCXB
Outdoor model #	8733953115
Outdoor model name	BMS500-AAS009-1CSXHB

Performance Data

Mode	Capacity (Btu/h):	Input (W)	Rated current (A)	EER (Btu/w)	SEER (Btu/w)
Cooling	9000	692	3.17	13	20
	Capacity (Btu/h)	10000	952	4.35	
	Input (W)			3.08	
	Rated current (A)			10.8	
	COP (W/W)			9.4	
Heating at 47°F	Capacity (Btu/h)	10000	952	4.35	
	Input (W)			3.08	
	Rated current (A)			10.8	
HSPF4				10.8	
HSPF5				9.4	

Electrical Data

Power supply (V / Ø / Hz)	208-230 / 1 / 60
Min. Circuit ampacity (A)	9
Max. Fuse (A)	15

Compressor Data

Type:	Twin-Rotary
Refrigerant oil /oil charge (ml)	ESTER OIL VG74 / 500
Input (W)	870
Rated current (RLA / A)	5.25

Piping

Refrigerant Charge (oz/g)	52.9 / 1500
Liquid side (in/mm)	1/4" / Ø6.35
Gas side (in/mm)	3/8" / Ø9.52
Additional charge per ft (oz)	0.16
Refrigerant precharge (ft/m)	25 / 7.6
Max. refrigerant pipe length (ft/m)	82 / 25
Max. difference in height (ft/m)	33 / 10

Operation Range

ODU	Cooling (°F / °C)	-22~122 / -30~50
	Heating (°F / °C)	-22~86 / -30~30
IDU	Cooling (°F / °C)	62~90 / 17~32
	Heating (°F / °C)	32~86 / 0~30

System Data

Refrigerant Type	R410A
Design pressure (PSIG)	550/340
Dehumidification (pts/hr)	2.12

IDU	Fan motor qty (ea)	1
	Fan motor input (W)	45.0
	Fan motor RLA (A)	0.47
	Fan speed (RPM)	600 / 520 / 460
	Air flow, H / M / L (CFM)	374 / 301 / 257
	Noise level, H / M / L (dB(A))	41 / 37 / 33
	Net weight (lbs / kg)	32.0 / 14.5
	Gross weight (lbs / kg)	38.1 / 17.3
	Panel Net weight (lbs / kg)	5.5 / 2.5
	Panel Gross weight (lbs / kg)	9.9 / 4.5
Drain pipe diameter (in / mm)		OD 0.98 / 25

ODU	Fan motor qty (ea)	1
	Fan motor input (W)	63
	Fan motor RLA (A)	0.38
	Fan motor speed (RPM)	810 / 700 / 450
	Air flow, Max (CFM)	1177
	Noise level, Max (dB(A))	55.5
	Net weight (lbs / kg)	88.2 / 40.0
	Gross weight (lbs / kg)	93.7 / 42.5

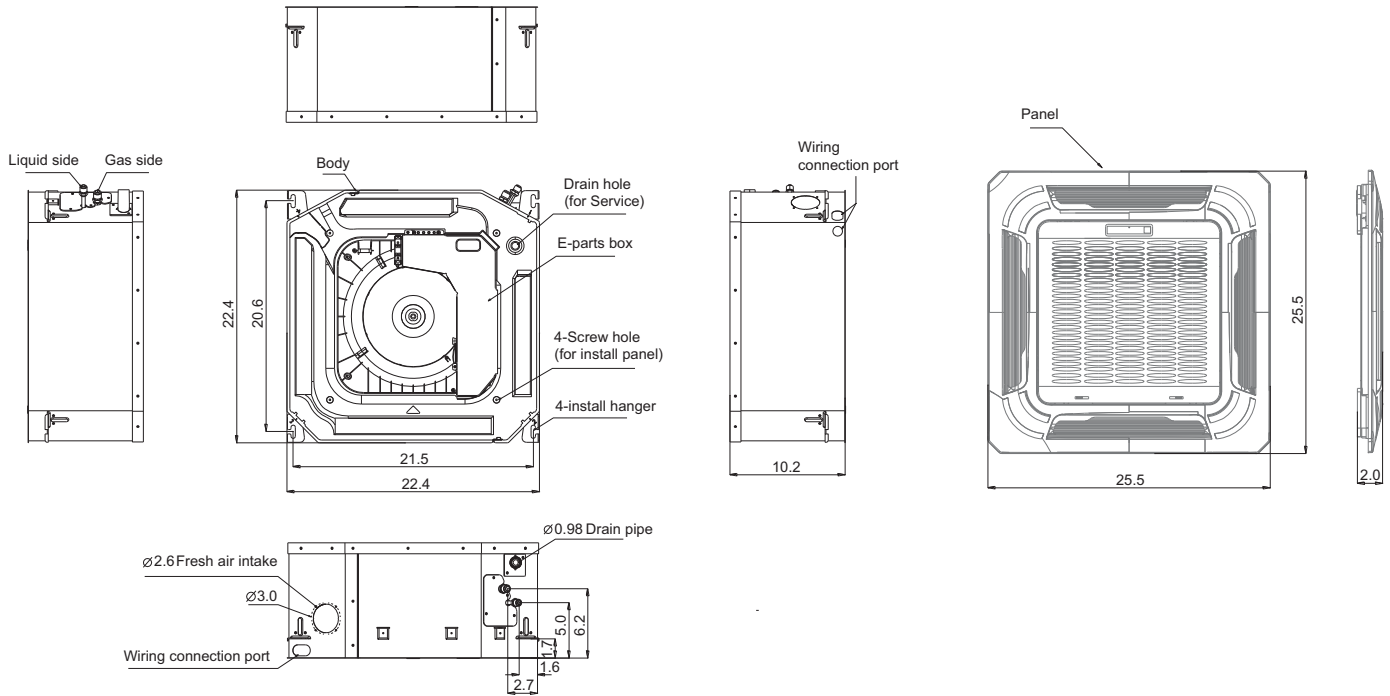
Accessories

BMS-CCG-XXX (8733953125)	Decorative Grille - 9K ~ 18K
BMS-WT2-XXX (8733953128)	Wired Wall Thermostat
BMS-DRY-XXX (8733953129)	24V Interface
BMS-PK1-7X1 (8733951010)	25ft Lineset
BMS-PK1-5X1 (8733951016)	16ft Lineset

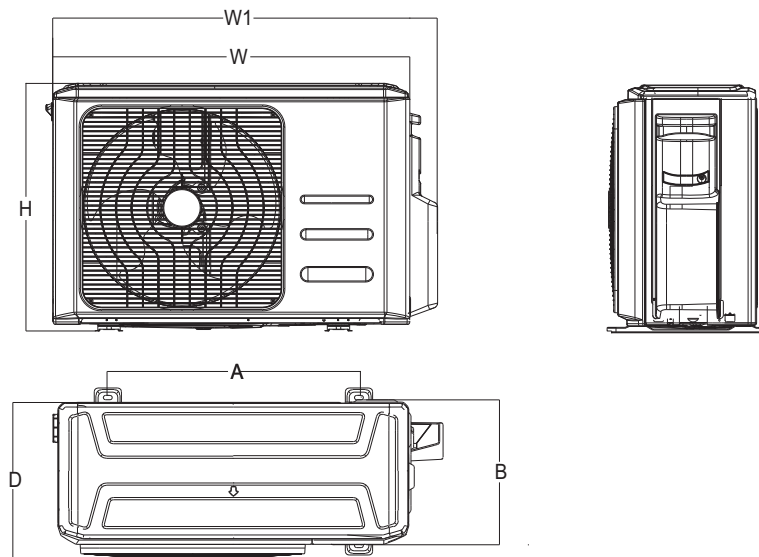
Climate 5000 Series - 9K Btu Single Zone Hyper Heat System - Cassette IDU



Indoor Unit Dimensions and Connections



Outdoor Unit Dimensions and Connections



Model	W (in)	D (in)	H (in)	W1 (in)	A (in)	B (in)
BMS500-AAS009-1CSXHB	31.5	13.1	21.8	34.3	20.2	13.4