

Climate 5000 Series 9K BTU Single Zone Hyper Heat System Wall Mounted IDU

Engineering
Submittal
Sheet



BOSCH

Overview and Project Information



Project Name	
Location	
Architect	
Engineer	
General Contractor	
Reference #	

9K Btu Single Zone Hyper Heat System - Wall Mounted IDU

Indoor model #	8733953094	
Indoor model name	BMS500-AAU009-1AHWXB	
Outdoor model #	8733953115	
Outdoor model name	BMS500-AAS009-1CSXHB	
Performance Data		
Cooling	Capacity (Btu/h):	9000
	Input (W)	620
	Rated current (A)	2.7
	EER (Btu/w)	14.5
	SEER (Btu/w)	25
Heating at 47°F	Capacity (Btu/h)	10900
	Input (W)	835
	Rated current (A)	3.6
	COP (W/W)	3.83
	HSPF4	11.2
	HSPF5	9
Electrical Data		
Power supply (V / Ø / Hz)	208-230 / 1 / 60	
Min. Circuit ampacity (A)	9	
Max. Fuse (A)	15	
Compressor Data		
Type:	Twin-Rotary	
Refrigerant oil /oil charge (ml)	ESTER OIL VG74 / 500	
Input (W)	870	
Rated current (RLA / A)	5.25	
Piping		
Refrigerant Charge (oz/g)	52.9 / 1500	
Liquid side (in/mm)	1/4" / Ø6.35	
Gas side (in/mm)	3/8" / Ø9.52	
Additional charge per ft (oz)	0.16	
Refrigerant precharge (ft/m)	25 / 7.6	
Max. refrigerant pipe length (ft/m)	82 / 25	
Max. difference in height (ft/m)	33 / 10	

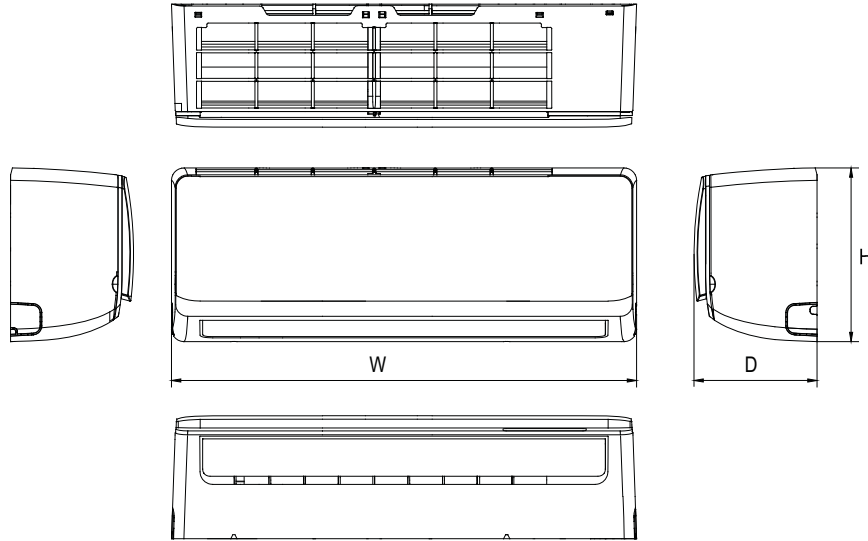
Operation Range

ODU	Cooling (°F / °C)	-22~122 / -30~50
	Heating (°F / °C)	-22~86 / -30~30
IDU	Cooling (°F / °C)	62~90 / 17~32
	Heating (°F / °C)	32~86 / 0~30

System Data

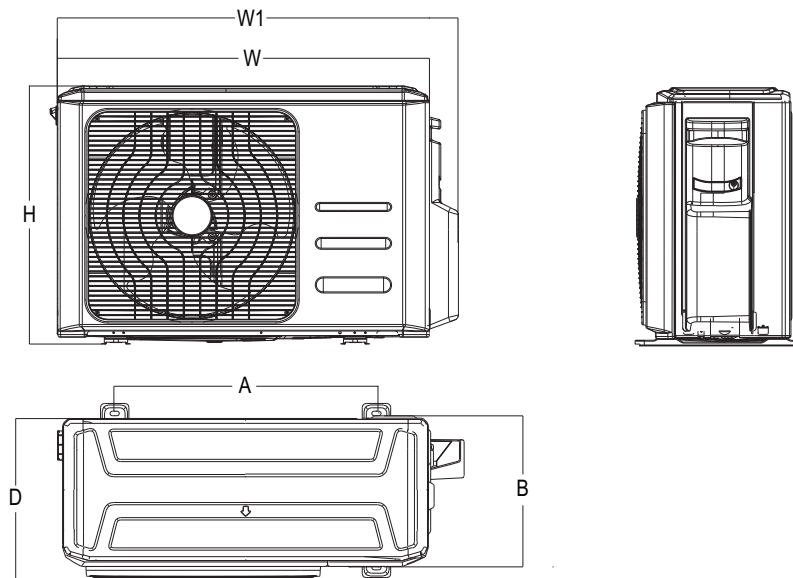
Refrigerant Type		R410A
Design pressure (PSIG)		550/340
Dehumidification (pts/hr)		2.12
IDU	Fan motor qty (ea)	1
	Fan motor input (W)	50.0
	Fan motor RLA (A)	0.036
	Fan speed (RPM)	1170 / 900 / 700
	Air flow, H / M / L (CFM)	418 / 324 / 247
	Noise level, H / M / L (dB(A))	42 / 33 / 24.5
	Net weight (lbs / kg)	19.8 / 9.0
	Gross weight (lbs / kg)	25.4 / 11.5
ODU	Fan motor qty (ea)	1
	Fan motor input (W)	63
	Fan motor RLA (A)	0.38
	Fan motor speed (RPM)	810 / 700 / 450
	Air flow, Max (CFM)	1177
	Noise level, Max (dB(A))	55.5
	Net weight (lbs / kg)	88.2 / 40.0
	Gross weight (lbs / kg)	93.7 / 42.5
Accessories		
BMS-WT1-XXX (8733953127)	Wired Wall Thermostat	
BMS-DRY-XXX (8733953129)	24V Interface	
BMS-PK1-7X1 (8733951010)	25ft Lineset	
BMS-PK1-5X1 (8733951016)	16ft Lineset	

Indoor Unit Dimensions and Connections



Model	W (in)	D (in)	H (in)
BMS500-AAU009-1AHWXB	32.9	7.8	11.0

Outdoor Unit Dimensions and Connections



Model	W (in)	D (in)	H (in)	W1 (in)	A (in)	B (in)
BMS500-AAS009-1CSXHB	31.5	13.1	21.8	34.3	20.2	13.4