




# Climate 5000 Series 9K BTU Single Zone Regular System Cassette IDU

Engineering  
Submittal  
Sheet



# BOSCH

Overview and Project Information	
  	Project Name
	Location
	Architect
	Engineer
	General Contractor
	Reference #

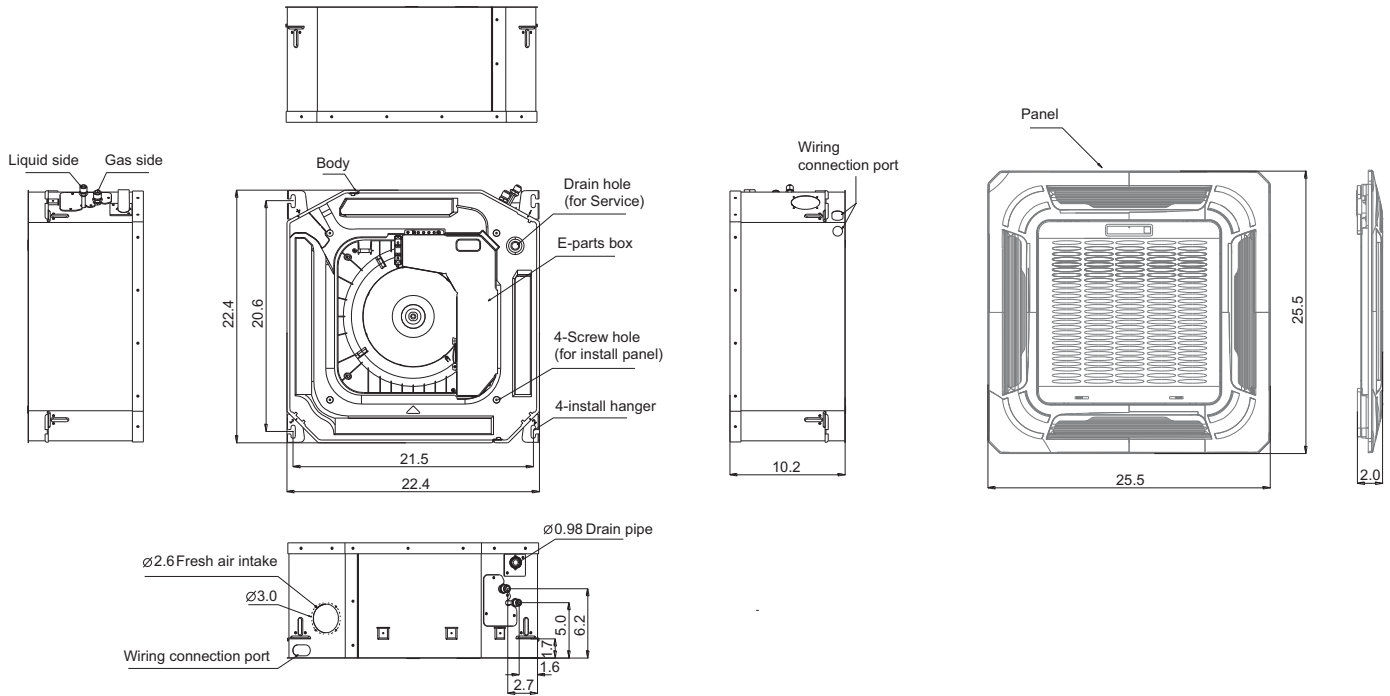
9K Btu Single Zone Regular System - Cassette IDU		
Indoor model #	8733953109	
Indoor model name	BMS500-AAU009-1AHCXB	
Outdoor model #	8733942696	
Outdoor model name	BMS500-AAS009-1CSXRA	
Performance Data		
Cooling	Capacity (Btu/h):	9000
	Input (W)	692
	Rated current (A)	3.17
	EER (Btu/w)	13
	SEER (Btu/w)	20
Heating at 47°F	Capacity (Btu/h)	10000
	Input (W)	910
	Rated current (A)	4
	COP (W/W)	3.22
	HSPF4	10.5
	HSPF5	8.4
Electrical Data		
Power supply (V / Ø / Hz)	208-230 / 1 / 60	
Min. Circuit ampacity (A)	10	
Max. Fuse (A)	15	
Compressor Data		
Type:	Rotary	
Refrigerant oil /oil charge (ml)	ESTER OIL VG74 / 370	
Input (W)	748	
Rated current (RLA / A)	5.50	
Piping		
Refrigerant Charge (oz/g)	38.8 / 1100	
Liquid side (in/mm)	1/4" / Ø6.35	
Gas side (in/mm)	3/8" / Ø9.52	
Additional charge per ft (oz)	0.16	
Refrigerant precharge (ft/m)	25 / 7.6	
Max. refrigerant pipe length (ft/m)	82 / 25	
Max. difference in height (ft/m)	33 / 10	

Operation Range		
ODU	Cooling (°F / °C)	-13~122 / -25~50
	Heating (°F / °C)	-13~86 / -25~30
IDU	Cooling (°F / °C)	62~90 / 17~32
	Heating (°F / °C)	32~86 / 0~30
System Data		
Refrigerant Type		R410A
Design pressure (PSIG)		550/340
Dehumidification (pts/hr)		2.12
IDU	Fan motor qty (ea)	1
	Fan motor input (W)	45.0
	Fan motor RLA (A)	0.47
	Fan speed (RPM)	600 / 520 / 460
	Air flow, H / M / L (CFM)	374 / 301 / 257
	Noise level, H / M / L (dB(A))	41 / 37 / 33
	Net weight (lbs / kg)	32.0 / 14.5
	Gross weight (lbs / kg)	38.1 / 17.3
	Panel Net weight (lbs / kg)	5.5 / 2.5
	Panel Gross weight (lbs / kg)	9.9 / 4.5
ODU	Drain pipe diameter (in / mm)	OD 0.98 / 25
	Fan motor qty (ea)	1
	Fan motor input (W)	63
	Fan motor RLA (A)	0.40
	Fan motor speed (RPM)	800 / 750 / 650
	Air flow, Max (CFM)	1177
	Noise level, Max (dB(A))	55.0
	Net weight (lbs / kg)	61.7 / 28.0
Gross weight (lbs / kg)	66.8 / 30.3	
Accessories		
BMS-CCG-XXX (8733953125)	Decorative Grille - 9K ~ 18K	
BMS-WT2-XXX (8733953128)	Wired Wall Thermostat	
BMS-DRY-XXX (8733953129)	24V Interface	
BMS-PK1-7X1 (8733951010)	25ft Lineset	
BMS-PK1-5X1 (8733951016)	16ft Lineset	

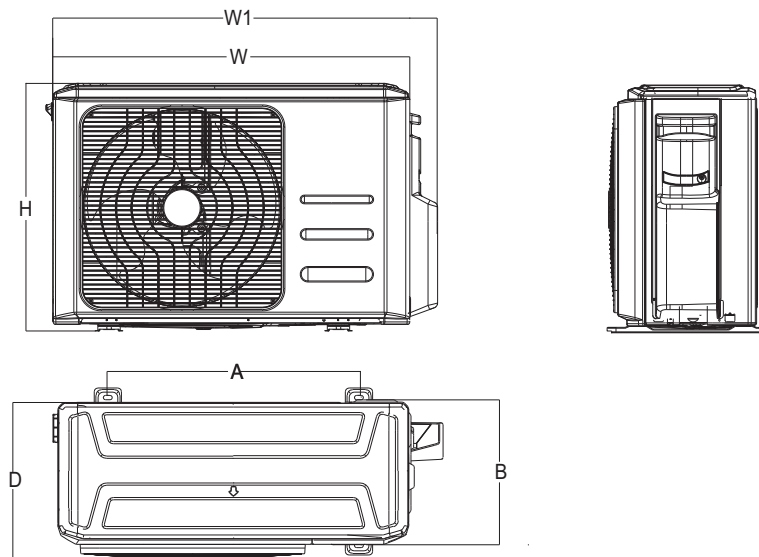
# Climate 5000 Series - 9K Btu Single Zone Regular System - Cassette IDU



## Indoor Unit Dimensions and Connections



## Outdoor Unit Dimensions and Connections



Model	W (in)	D (in)	H (in)	W1 (in)	A (in)	B (in)
BMS500-AAS009-1CSXRA	30.3	11.8	21.9	33.1	19.2	11.7