

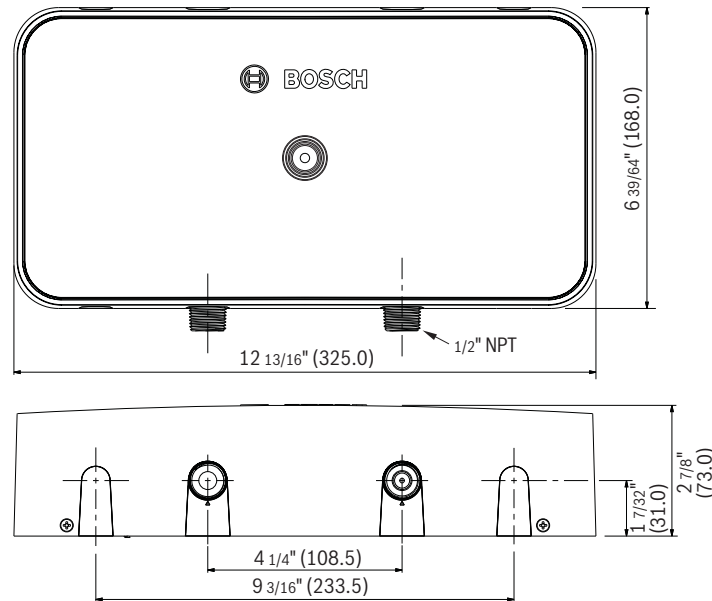
TRONIC 3000 US3-2R | US4-2R | US7-2R | US9-2R Electric Tankless Water Heaters

Engineering
Submittal
Sheet



BOSCH

Dimensions



Engineering Specifications

Water heater shall be a Model TRONIC 3000 US3-2R, US4-2R, US7-2R or US9-2R.

Installation shall consist of ___ Model TRONIC 3000 US3-2R electric tankless water heaters as distributed by Bosch Thermotechnology Corp. with a thermal efficiency of 99%. Supply voltage shall be 110-120VAC with a maximum output of 3.6kW. Minimum flow rate shall be 0.3gpm.

Installation shall consist of ___ Model TRONIC 3000 US4-2R electric tankless water heaters as distributed by Bosch Thermotechnology Corp. with a thermal efficiency of 99%. Supply voltage shall be 208-240 VAC with a maximum output of 4.5kW. Minimum flow rate shall be 0.4gpm.

Installation shall consist of ___ Model TRONIC 3000 US7-2R electric tankless water heaters as distributed by Bosch Thermotechnology Corp. with a thermal efficiency of 99%. Supply voltage shall be 208-240 VAC with a maximum output of 7.2kW. Minimum flow rate shall be 0.7gpm.

Installation shall consist of ___ Model TRONIC 3000 US9-2R electric tankless water heaters as distributed by Bosch Thermotechnology Corp. with a thermal efficiency of 99%. Supply voltage shall be 208-240 VAC with a maximum output of 9.5kW. Minimum flow rate shall be 0.7gpm.

The tankless water heaters shall be UL listed for the US and Canada and UPC certified.

CONSTRUCTION

Water heater shall be electricity powered with compact tankless design. Primary heat exchanger shall be made from solid copper tubing, elements shall be copper-sheathed and unit shall be protected by a tough plastic housing. Heat exchanger shall be rated for maximum working pressure not less than 150 psig. Water heater shall be equipped with a flow switch. Water connections for inlet and outlet shall be 1/2" NPT male.

The internal controls shall contain a power selector with two power levels and a high temperature safety cut-out with manual reset.

INSTALLATION

All aspects of installation of water heater shall be in strict accordance with manufacturer's instructions. Materials shall conform to all manufacturer's recommendations including electrical connections and wiring.

TRONIC 3000 US3-2R | US4-2R | US7-2R | US9-2R

Electric Tankless Water Heaters



BOSCH

Engineering Specifications

Water heater piping shall be field constructed of materials as specified. Water heater shall be installed with individually isolating shutoff valves for service and maintenance.

Unit shall be installed in close vicinity of point of use.

WARRANTY*

The heating element shall carry a 5-year limited warranty against leakage. All other parts and components shall carry a 1 year limited warranty against defects in materials or workmanship.

* see www.bosch-thermotechnology.us for full warranty details.

Technical data

Description	Unit	US3-2R	US4-2R	US7-2R	US9-2R
Part number	-	7736505867	7736505868	7736505870	7736505871
Packaging dimensions (W x L x H)	Inch	8.7 x 14.4 x 3.6	8.7 x 14.4 x 3.6	8.7 x 14.4 x 3.6	8.7 x 14.4 x 3.6
Product dimensions (W x L x H)	Inch	6.6 x 12.8 x 2.9	6.6 x 12.8 x 2.9	6.6 x 12.8 x 2.9	6.6 x 12.8 x 2.9
Gross weight	lbs	6.3	6.3	6.3	6.3
Net weight	lbs	5.6	5.6	5.6	5.6
Rated power	kW/V	3.6kW @120V	4.5kW @240V	7.2kW @240V	9.5kW @240V
Temperature control	-	Hydronic	Hydronic	Hydronic	Hydronic
Maximum inlet water temperature	°F/°C	77/25	77/25	77/25	77/25
Minimum inlet water temperature ¹	°F/°C	36/2	36/2	36/2	36/2
Activation flow rate	gpm	0.3	0.4	0.7	0.7
Water connections	Inch	½" NPT	½" NPT	½" NPT	½" NPT
Minimum water pressure	PSI	25	10	10	10
Minimum operating pressure	PSI	150	150	150	150
IPX	-	IPX4	IPX4	IPX4	IPX4
Voltage supply	V AC	110-120	208-240	208-240	208-240
Power line type	-	L1/L2	L1/L2	L1/L2	L1/L2
Frequency	Hz	60	60	60	60
Minimum circuit breaker size	-	1 x 30 amp fuse	1 x 25 amp fuse	1 x 30 amp fuse	1 x 40 amp fuse
Minimum recommended wire size	AWG	10	10	10	8
Thermal efficiency	%	99	99	99	99
Certifications	-	 			

¹) Do not use heater for water temperature boosting applications

TRONIC 3000 US3-2R | US4-2R | US7-2R | US9-2R

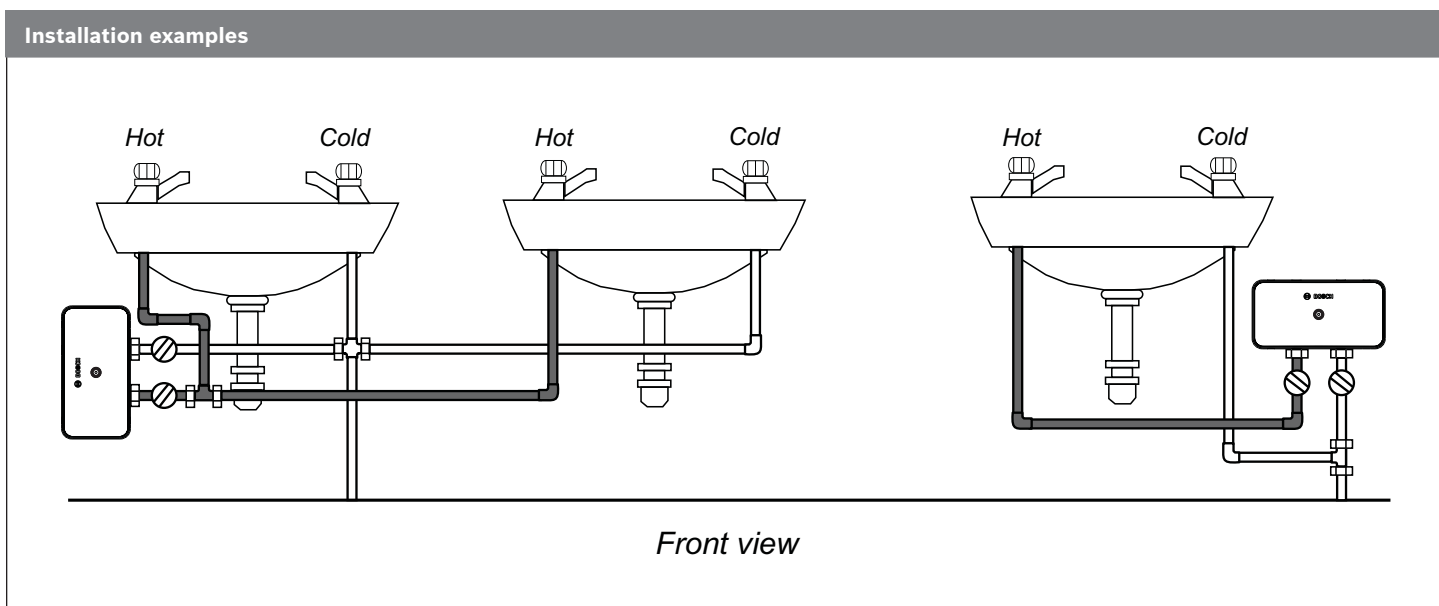
Electric Tankless Water Heaters



BOSCH

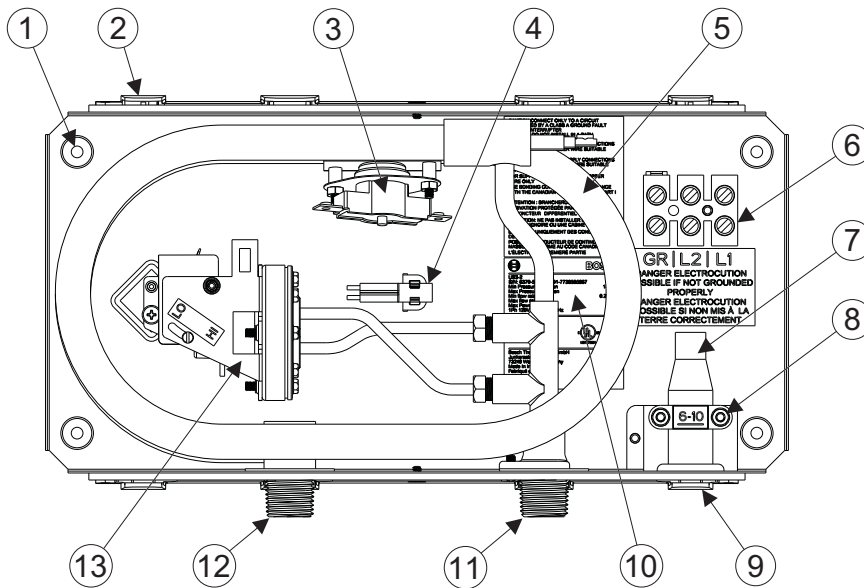
Water Heating Capacity Data												
Model	Volts	Amps	Loading (watts)		Temperature Rise (°F) at Flow Rate GPM							
			Low	High	0.3 GPM	0.4 GPM	0.5 GPM	0.75 GPM	1.0 GPM	1.5 GPM	2.0 GPM	2.5 GPM
US3-2R	110-120	15	1513-1800		39	35	24	16	12	8	6	5
US3-2R	110-120	30		3025-3600	79	61	49	33	24	16	12	10
US4-2R	208-240	9	1891-2250		N/A	38	31	20	15	10	8	6
US4-2R	208-240	19		3781-4500	N/A	76	61	41	31	20	15	12
US7-2R	208-240	15	3025-3600		N/A	N/A	N/A	33	24	16	12	10
US7-2R	208-240	30		6050-7200	N/A	N/A	N/A	65	49	33	24	20
US9-2R	208-240	20	3576-4760		N/A	N/A	N/A	43	32	22	16	13
US9-2R	208-240	40		7151-9521	N/A	N/A	N/A	86	65	43	32	26

N/A - Value is below the activation flow.





Tankless Components



Interior Components

- [1] Mounting hole (backplate)
- [2] Upper trim
- [3] Thermal cut-out (manual re-set)
- [4] Neon light
- [5] Heating elements
- [6] Terminal block
- [7] Cable grommet
- [8] Cable clamp
- [9] Cable entry
- [10] Serial and model sticker
- [11] Cold water inlet
- [12] Hot water Outlet
- [13] Flow switch