



Key features

Standard

- Stainless Steel Drain Pan
- Filter Drier
- Floating Base
- R410-A Refrigerant
- PSC Motor
- Copper Coaxial Heat Exchanger
- 4-Way Reversing Valve
- Blower Housing
- Unit Protection Module 1

Optional

- Coated Air Coils
- Four Sided Filter Rack
- Thermal Expansion Valve (TXV)
- Hot Gas Bypass
- Hot Gas Reheat
- Cupronickel Coaxial Heat Exchanger
- Desuperheater
- DDC Controls
- Geothermal
- Compressor Blanket
- Phase Protection Module
- Water Differential Switch
- Disconnect Switch



EC SERIES Customer benefits

High efficiency

FHP's option-rich, single stage EC series heat pumps offer configuration flexibility to meet any commercial application. Available from 1/2 through 6 tons in vertical, horizontal, split and counterflow configurations. When equipped with the "extended range option", the unit is suitable for geothermal applications.

Quiet operation

The EC Series units come standard with a unique sound package design to eliminate vibration transmission from the compressor to the cabinet, hence reducing unwanted noise in the space.

Environmentally friendly

These highly efficient units not only reduce your operating costs, but play their part in reducing carbon dioxide emissions, a leading cause of global warming.

Quality

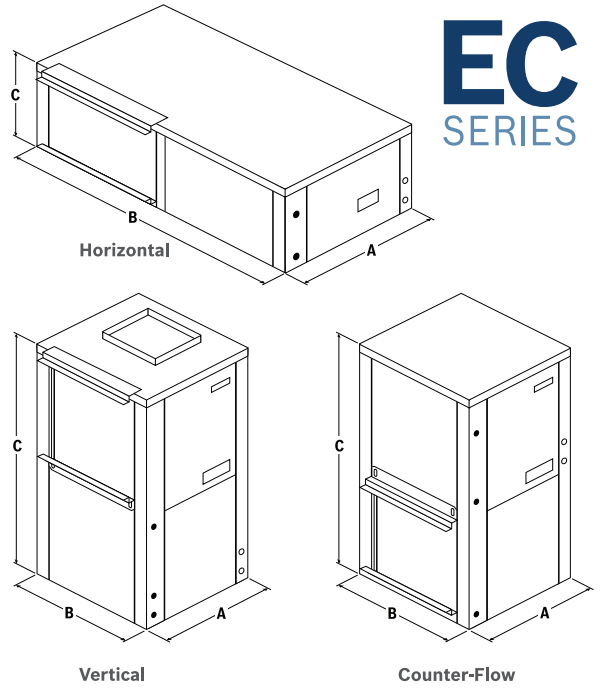
Rigorous factory testing virtually guarantees hassle free operation from the start, while FHP's almost 40 years of experience in designing Heat Pumps for commercial applications are your assurance of a state of the art quality product. FHP's ISO 9001-2008 and ISO 14001-2004 certified facilities provide consistent quality in every unit we build.

A Brand you can trust.

All FHP heat pumps are part of BOSCH Group, a world leader in Green technologies. FHP Bosch Heat Pumps are engineered and tested in our first class laboratory in order to ensure the most efficient and quiet technology available. FHP's heat pumps are independently tested and certified by the Air Conditioning, Heating and Refrigerant Institute (AHRI) and the Underwriters Laboratory (UL).



MODEL	DIMENSIONS					
	VERTICAL/COUNTERFLOW			HORIZONTAL		
	A (width)	B (depth)	C (height)	A (width)	B (depth)	C (height)
EC007	19.00	19.00	24.25	19.00	31.00	13.25
EC009	19.00	19.00	24.25	19.00	31.00	13.25
EC012	19.00	19.00	24.25	19.00	31.00	13.25
EC015	21.50	21.50	32.25	21.50	43.00	17.00
EC018	21.50	21.50	32.25/36.25 VT/CF	21.50	43.00	17.00
EC024	21.50	21.50	36.25	21.50	43.00	19.00
EC030	21.50	21.50	39.25	22.00	45.00	19.00
EC036	21.50	26.00	43.25	22.00	54.00	19.00
EC041	21.50	21.50	39.25	21.50	43.00	22.00
EC042	21.50	26.00	43.25	22.00	54.50	19.00
EC048	24.00	32.50	45.25	36.00	43.00	21.00
EC060	24.00	32.50	45.25	36.00	43.00	21.00
EC070	26.00	33.25	58.25	26.00	78.00	21.50



MODEL	ARI / ISO 13256-1 PERFORMANCE DATA											
	ENTERING WATER TEMPERATURES											
	Water Loop (WLHP)				Ground Water (GWHP)				Ground Loop (GLHP)			
	86°F		68°F		59°F		50°F		77°F		32°F	
	CAPACITY AND EFFICIENCY DATA											
	COOLING CAPACITY	EER	HEATING CAPACITY	COP	COOLING CAPACITY	EER	HEATING CAPACITY	COP	COOLING CAPACITY	EER	HEATING CAPACITY	COP
EC 007	6,200	12.5	8,000	5.1	7,200	20.0	6,000	4.0	6,500	15.0	4,500	3.2
EC 009	7,800	13.7	11,400	4.7	9,000	20.0	8,600	3.8	8,100	14.8	6,400	3.2
EC 012	11,000	13.0	14,500	4.5	12,400	19.0	11,500	3.6	11,500	14.5	8,700	3.1
EC 015	14,000	13.0	18,000	4.6	15,800	19.0	13,500	3.8	14,500	15.0	10,100	3.3
EC 018	18,500	13.0	24,000	4.4	21,400	19.0	18,000	3.8	19,800	14.1	13,400	3.3
EC 024	25,000	13.8	30,000	4.5	28,200	20.6	23,800	3.8	26,500	15.2	17,900	3.3
EC 030	29,000	13.0	35,000	4.3	33,000	18.6	28,400	3.8	31,000	14.4	21,000	3.3
EC 036	36,000	13.8	46,000	4.5	40,200	19.5	36,200	4.0	37,800	15.5	27,400	3.3
EC 041	38,000	12.5	49,000	4.2	40,400	16.1	39,000	3.7	39,200	14.1	28,500	3.1
EC 042	42,000	13.0	53,000	4.2	44,500	18.5	42,000	3.8	43,800	14.2	32,200	3.3
EC 048	48,000	14.0	58,000	4.8	58,000	20.6	46,600	4.2	52,000	15.4	36,800	3.5
EC 060	62,000	13.2	79,000	4.4	67,000	18.3	61,500	3.9	63,600	14.7	50,000	3.3
EC 070	68,000	13.5	80,000	4.5	76,000	19.8	68,000	4.0	70,000	15.2	53,000	3.3



601 N.W. 65th Court, Ft. Lauderdale, FL 33309
 Phone: 954-776-5471 | Fax: 954-776-5529
 www.fhp-mfg.com

