



SPLIT SYSTEMS



Air Handling Unit



Condensing Section

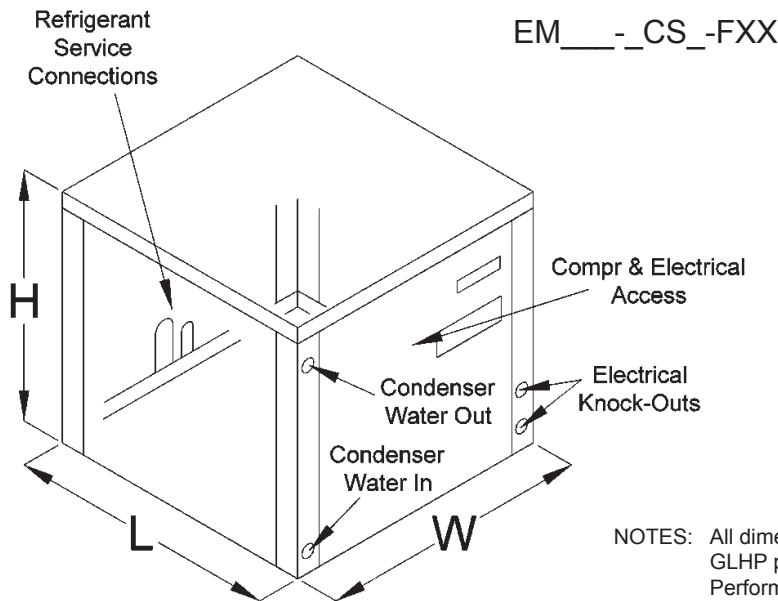


FHP Manufacturing Co.
 601 N.W. 65th Court
 Fort Lauderdale, FL 33309
 Phone: (954) 776-5471
 Fax: (800) 776-5529
 http://www.fhp-mfg.com

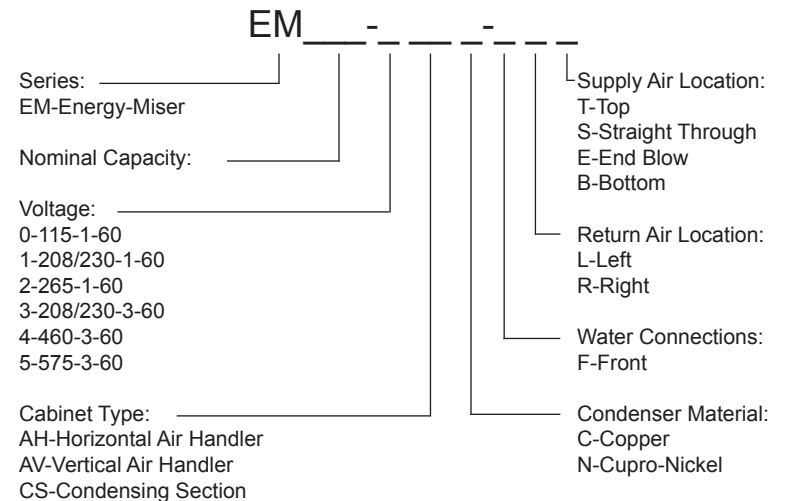
EM007-070 Series Split Systems

Condensing Sections

MODEL	Dimensions				ISO 13256-1 Certified Performance								GLHP Ratings See Note	GPM
	L	W	H	Water Conn.	WLHP Cooling		WLHP Heating		GWHP Cooling		GWHP Heating			
	Length	Width	Height		Capacity	EER	Capacity	COP	Capacity	EER	Capacity	COP		
EM007	19.00	19.00	11.25	3/4" FPT	7200	12.1	9800	4.6	8400	17.0	7400	3.7		2.0
EM009	19.00	19.00	11.25	3/4" FPT	9600	11.8	12600	4.5	11200	16.8	9600	3.6		3.0
EM012	19.00	19.00	11.25	3/4" FPT	11300	11.0	14200	3.8	12700	15.4	10800	3.1		3.0
EM015	21.50	21.50	17.00	3/4" FPT	14200	11.3	19600	4.1	16200	16.2	14700	3.3		4.0
EM018	21.50	21.50	17.00	3/4" FPT	17500	12.2	21500	4.3	20500	16.6	17000	3.7		4.5
EM024	21.50	21.50	19.00	3/4" FPT	22500	13.7	28500	4.8	25500	20.5	22500	4.1		6.0
EM028	21.50	21.50	19.00	3/4" FPT	27500	12.8	31500	4.6	31500	18.5	25500	3.9		7.0
EM031	21.50	21.50	19.00	3/4" FPT	31000	13.0	39000	4.1	36000	18.7	30500	3.6		7.5
EM036	26.00	21.50	19.00	3/4" FPT	33500	13.7	39000	4.6	37000	19.6	30500	3.9		9.0
EM041	26.00	21.50	19.00	3/4" FPT	37500	12.3	48000	4.2	40000	15.8	38000	3.7		9.0
EM042	26.00	21.50	19.00	3/4" FPT	40500	12.6	49500	4.2	43000	16.6	39000	3.8		10.0
EM048	32.50	24.00	21.00	1" FPT	47000	12.0	60000	4.5	56500	17.6	48000	3.9		12.0
EM060	32.50	24.00	21.00	1" FPT	59000	12.3	75000	4.4	64000	17.1	59000	3.9		15.0
EM070	33.25	26.00	24.00	1" FPT	66500	12.3	80500	4.5	74500	18.3	64500	3.7		16.0



EM-Series Split System Model Nomenclature



NOTES: All dimensions within +/- 0.125".
 GLHP performance certified with extended range package installed. See extended range performance table for ratings.
 Performance certified with corresponding EM-Series air handling unit.
 Split systems are not available with hot gas reheat or bypass options. Consult factory for available options.
 Specifications subject to change without notice.

