

Tankless water heaters for the professional

# ***ProTankless***<sup>™</sup> **GWH 425 HN**

## **Features:**

- ▶ Hydro-generated ignition
- ▶ 80% average efficiency
- ▶ Venting: 5" double-wall type B-vent – natural draft
- ▶ Modulating gas valve – constant temperature at varying flow rates
- ▶ Available in natural gas (NG) or liquid propane (LP)
- ▶ 15-year warranty



## **No Electricity Needed.**



**BOSCH**

Invented for life

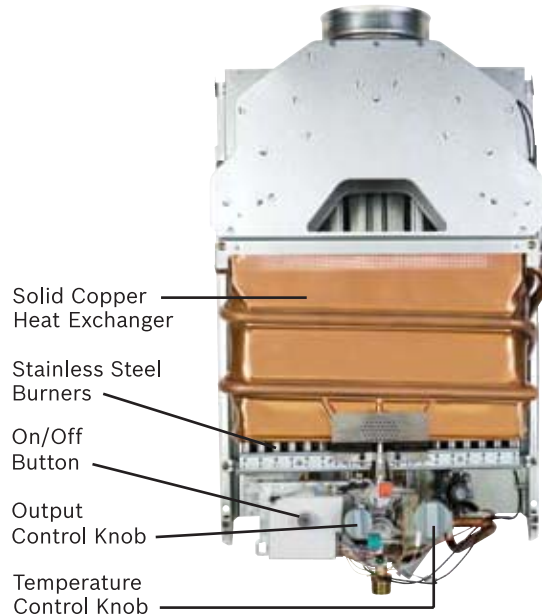
Qualifies for \$300 U.S. Federal Tax Credit



# Hydro-generated ignition – No electricity required for the 425 HN model.

## GWH 425 HN Technical Specifications

Power Input	Natural Gas: 30,735 - 117,000 Btu
	LP Gas: 30,735 - 117,000 Btu
Minimum Flow to Activate	0.6 gallons per minute (gpm)
Flow Rates	45°F rise @ 4.2 gpm
	55°F rise @ 3.4 gpm
	65°F rise @ 2.9 gpm
	77°F rise @ 2.4 gpm
	90°F rise @ 2.1 gpm
Energy Factor	NG: .80 LP: .80
Thermal Efficiency	NG: 80% LP: 80%
Dimensions	25.75" h x 16.75" w x 8.5" d
Weight	33 lbs.
Modulating Gas Valve	Yes
Ignition	Hydro-generated
Optional Accessory	AQ4 Vent Kit (Power vent for horizontal venting)

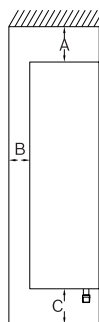


## GWH 425 HN Installation Specifications

Gas Connection	¾" Male NPT
Water Connections	½" Male NPT
NG Gas Pressure	Minimum: 7" WC
	Maximum: 14" WC
LP Gas Pressure	Minimum: 11" WC
	Maximum: 14" WC
Water Pressure	Minimum: 30 PSI
	Maximum: 150 PSI

## GWH 425 HN Installation Clearances

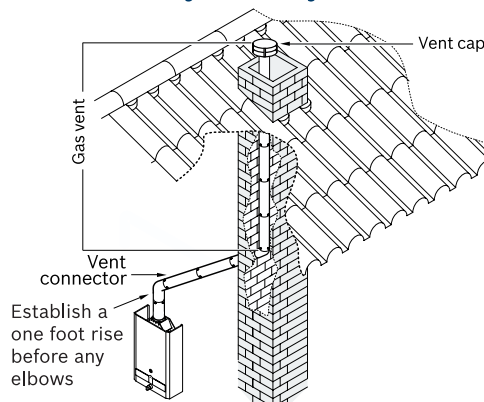
Top (A)	12"
Front (B)	4"
Back	0"
Sides	4"
Floor (C)	12"



\* On a combustible wall surface the unit should be mounted away from the wall to provide adequate clearance of the vent pipe.

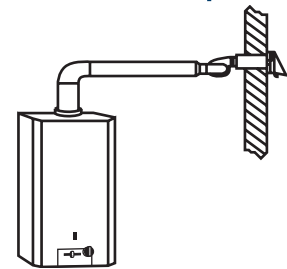
**Part # GWH-425-HN-N** (Natural Gas)  
**Part # GWH-425-HN-L** (Liquid Propane)

## Venting Configuration for Unlined Interior Masonry Chimney



Venting into a masonry chimney with an approved liner, ceramic tile, clay or metal is permissible. For complete venting options and requirements consult the installation manual.

## Power Vent Option



Illustrating the side wall vent option that allows horizontal venting and elimination of the chimney. (Part #AQ4)



**BBT NORTH AMERICA CORPORATION**  
 Bosch Group

Bosch Water Heating  
 50 Wentworth Avenue  
 Londonderry, NH 03053

Telephone: 866.642.3198  
 www.boschpro.com



**BOSCH**  
 Invented for life