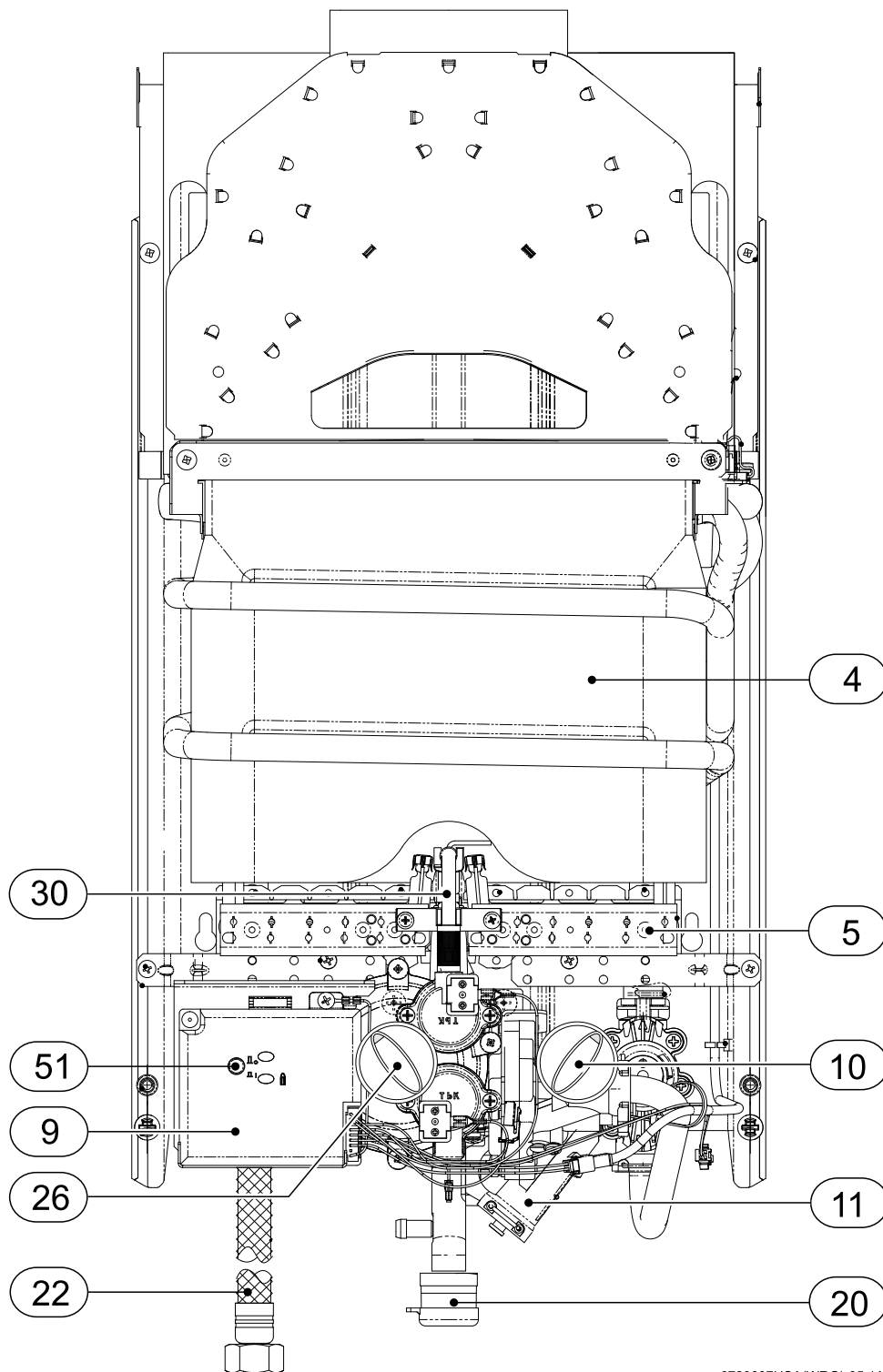


8 Interior components and diagram parts list

8.1 Interior components



6720607USA(WRG)-05.1AL

Fig. 26 Functional scheme

4	Heat exchanger	26	Output control
5	Main gas burner	30	Pilot gas tubing
9	Electronic control box	51	on/off switch
10	Temperature adjustment selector		
11	Water valve		
22	Flexible hot outlet		

8.2 Components diagram

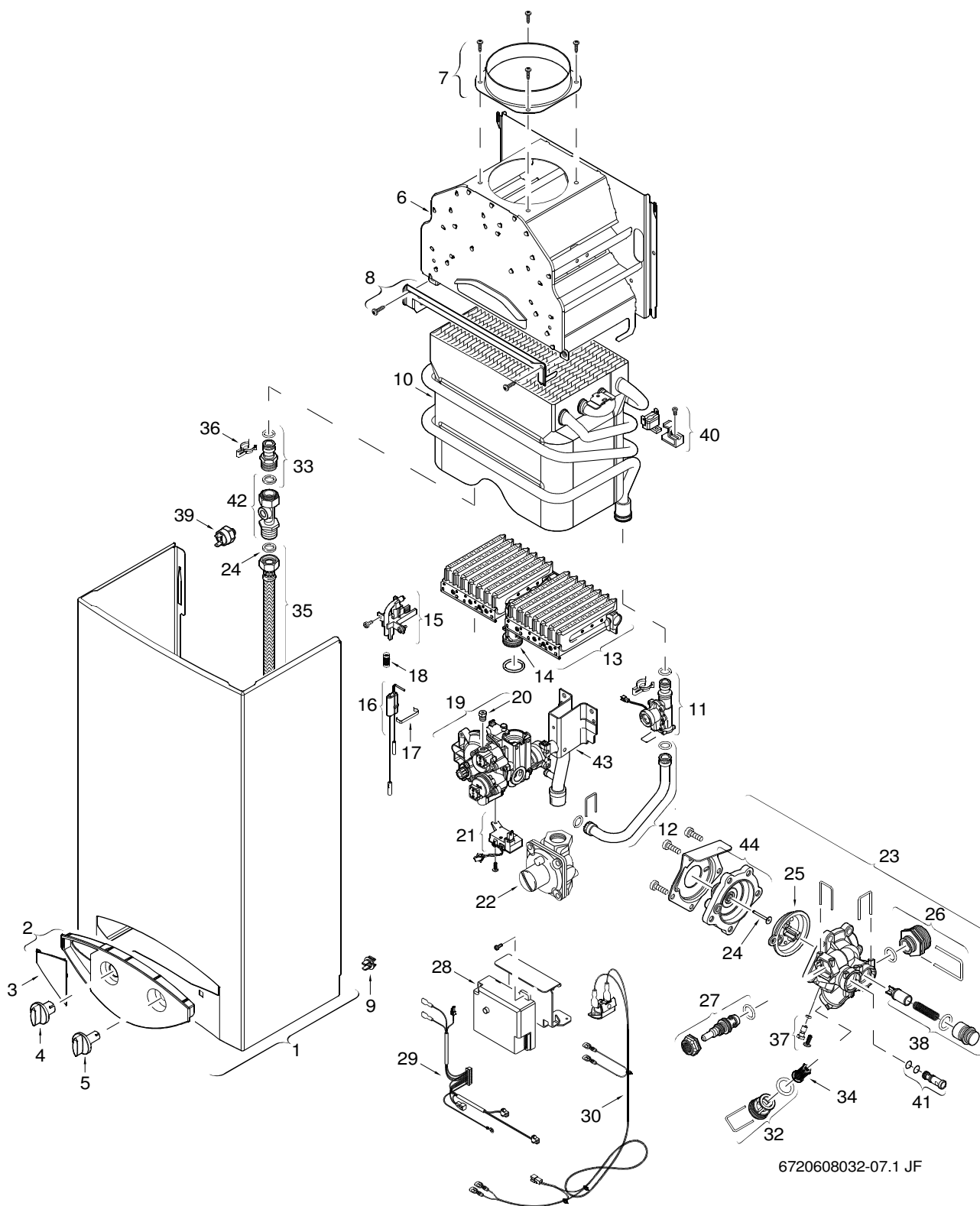


Fig. 27 Components Diagram

8.3 Parts list

Item	Description	Reference
1	Front cover	8 705 431 242 0
2	Shield	8 705 506 814 0
3	Control cover	8 705 506 813 0
4	Temp. control knob	8 702 000 305 0
5	Water flow selector handle	8 702 000 304 0
6	Draft Diverter	8 705 505 442 0
7	Exhaust pipe union Ø128	8 705 504 046 0
8	Angle bracket	8 708 003 192 0
9	Cover retaining clip (x10)	8 700 506 200 0
10	Heat exchanger	8 705 406 332 0
11	Hydro generator	8 707 406 071 0
12	Cold water pipe	8 700 715 109 0
13	Main burner LP	8 708 120 615 0
13	Main burner NG	8 708 120 616 0
14	Connector	8 705 209 056 0
15	Pilot burner	8 708 105 655 0
16	Sparking plug	8 708 107 013 0
17	Ignitor bracket (x10)	8 701 300 010 0
18	Pilot screen	8 700 507 066 0
19	Gas valve LP	8 707 011 962 0
19	Gas valve NG	8 707 011 976 0
20	Pilot injector LP	8 708 200 321 0
20	Pilot injector NG	8 708 200 322 0
21	Microswitch	8 707 200 020 0
22	Gas pressure regulator LP	8 707 406 083 0
22	Gas pressure regulator NG	8 707 406 084 0
23	Water valve	8 707 006 344 0
24	Watervalue pushrod (10x)	8 703 204 051 0
25	Diaphragm (L)	8 700 503 084 0
26	Inlet water connection	8 700 306 110 0
27	Selector screw	8 708 500 304 0
28	Ignition unit	8 707 207 142 0
29	Cable	8 704 401 340 0
30	Flue gas safety device	8 707 206 446 0
31	Heat exchanger washer	8 700 103 658 0
32	Threaded bushing	8 700 306 148 0
33	Connector	8 700 306 187 0
34	Water filter	8 700 507 059 0
35	Outlet Hose	8 700 703 139 0
36	Water connection clip	8 701 201 020 0
37	Plunger	8 703 502 039 0
38	Volumetric water governor	8 705 705 034 0
39	ECO	8 707 206 017 0
40	Temperature limiter	8 707 206 132 0
41	Venturi	8 708 205 279 0
42	Hot water pipe	8 700 715 178 0
43	Gas supply pipe	8 700 715 351 0
44	Cover	8 705 500 105 0

Table 5