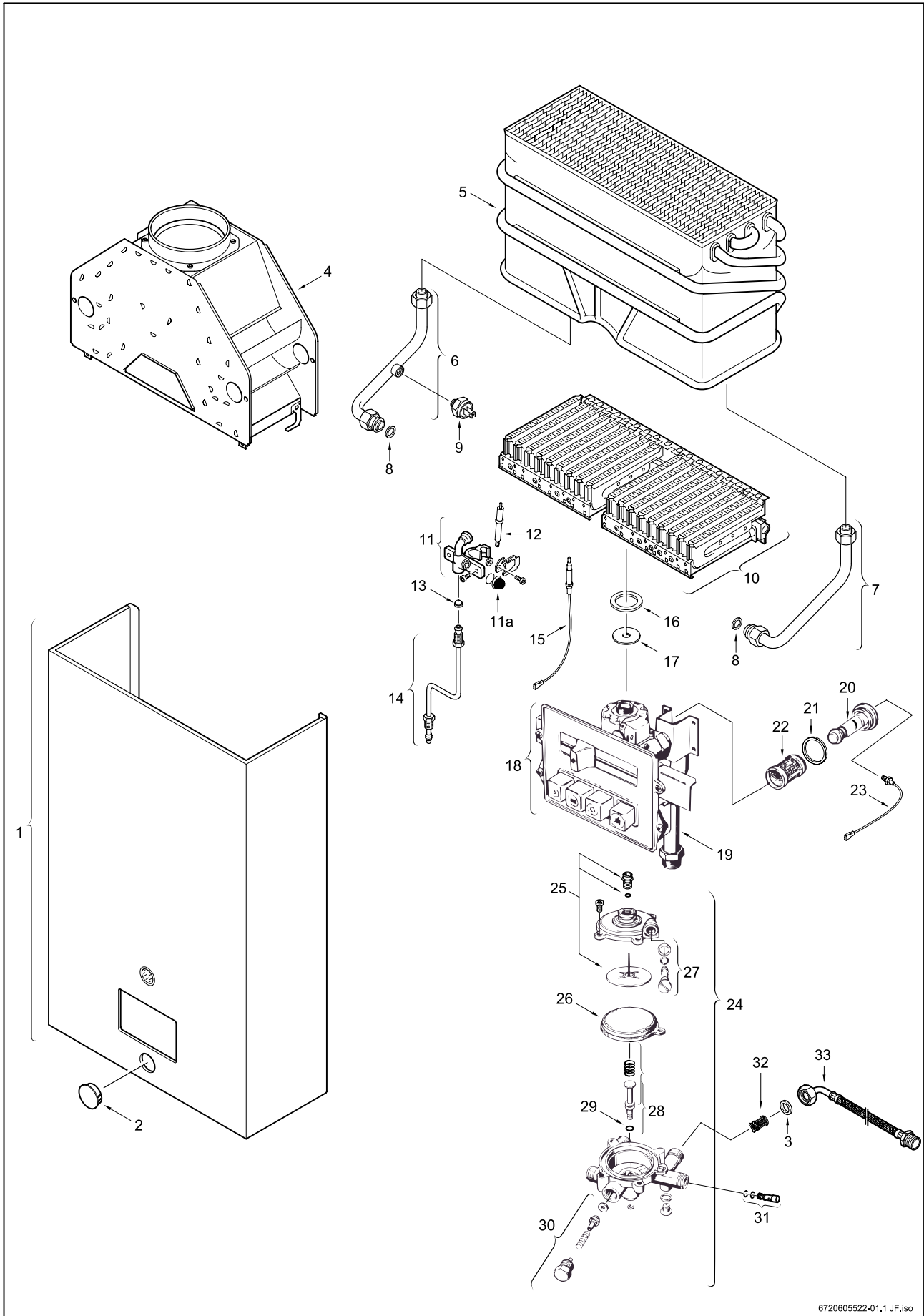


Fig. 11 - INTERIOR COMPONENTS DIAGRAM AND PARTS LIST



6720605522-01.1 JF.iso

Fig. 11

**INTERIOR COMPONENTS DIAGRAM
AND PARTS LIST 125BL**

1	Cover	☒	8 705 421 031
2	Cap cover	☒	8 703 304 011
3	Water connection gasket	☒	8 710 103 043
4	Draft divertor	☒	8 705 505 354
5	Heat exchanger	☒	8 705 406 235
6	Hot water pipe	☒	8 700 705 431
7	Cold water pipe	☒	8 700 705 294
8	Heat exchanger washer	☒	8 710 103 045
9	Overheat sensor (ECO)	☒	8 707 206 017
10	Main burner assembly	LPG	8 708 120 296
	Main burner assembly	NG	8 708 120 298
11	Pilot burner assembly	☒	8 708 105 337
11a	Pilot filter screen	☒	8 700 507 055
12	Piezo electrode	☒	8 708 107 002
13	Pilot orifice	NG	8 708 200 005
	“	LPG	8 748 200 173
14	Pilot Tube	☒	8 710 707 166
15	Thermocouple	☒	8 747 202 083
16	Burner assembly washer	☒	8 710 103 060
17	Throttle disc	LPG	8 700 100 174
18	Gas valve	NG	8 707 011 460
	Gas valve	LPG	8 707 011 464
19	Gas supply pipe	☒	8 700 705 464
20	Electromagnet	☒	8 747 201 094
21	Electromagnet washer	☒	8 700 103 144
22	Gas filter	☒	8 700 507 051
23	Thermocable	☒	8 747 202 078
24	Water valve assembly	☒	8 707 002 478
25	Water valve repair kit	☒	8 703 406 214
26	Water valve diaphragm	☒	8 700 503 043
27	Slow ignition valve	☒	8 708 503 060
28	Water valve setting screw	☒	8 703 404 098
29	O ring setting screw	☒	8 700 205 050
30	Water valve piston assembly	☒	8 708 500 230
31	Water valve venturi	☒	8 708 205 248
32	Water inlet filter	☒	8 700 507 059
33	Water elbow fitting	☒	8 700 703 114