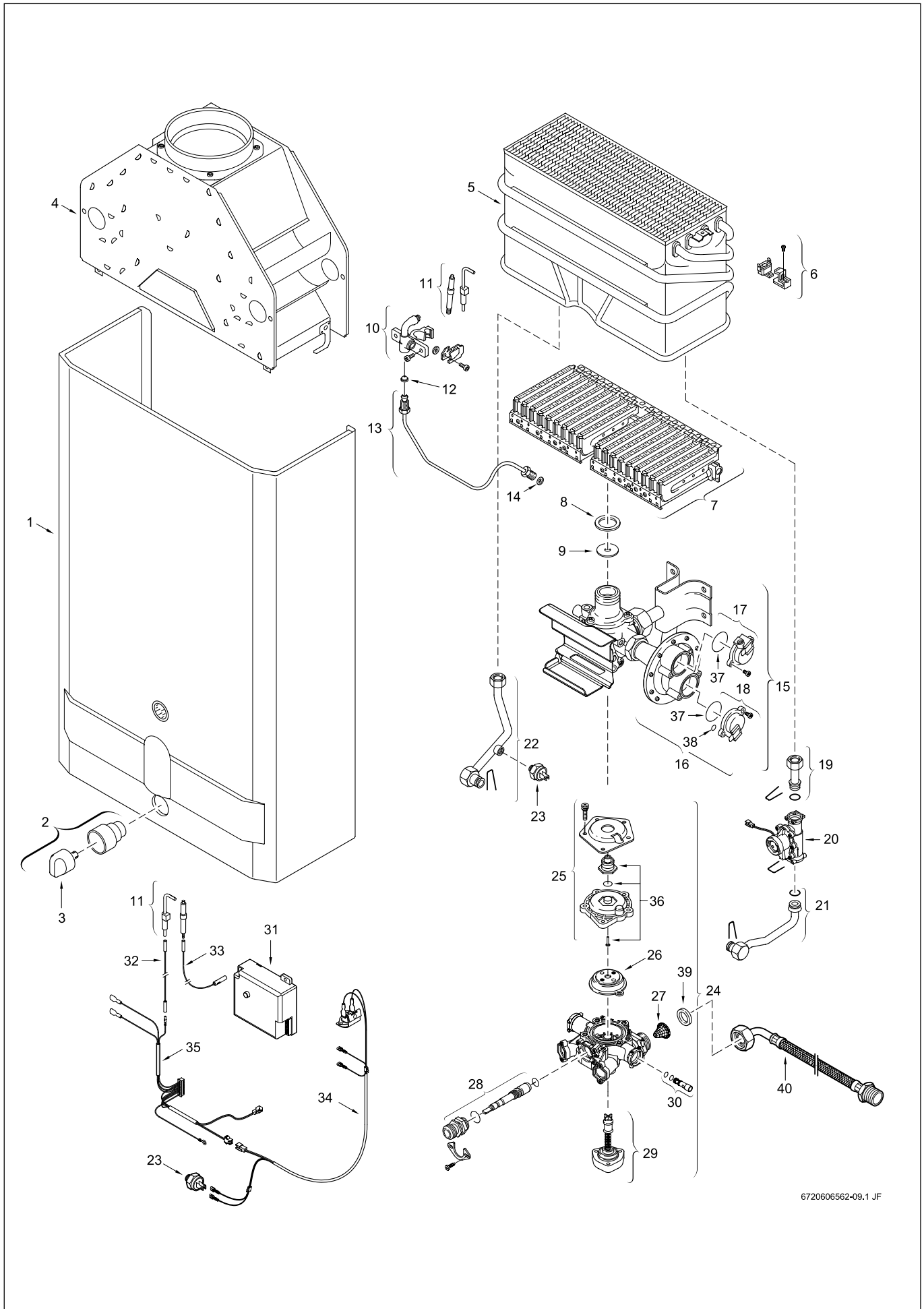


Fig. 15 - INTERIOR COMPONENTS DIAGRAM AND PARTS LIST



6720606562-09.1 JF

Fig. 15
INTERIOR COMPONENTS DIAGRAM
AND PARTS LIST 125HX

1	Front cover	α	8 705 421 752
2	Temperature adjustment knob comp.	α	8 702 000 219
3	Temperature adjustment knob	α	8 702 000 111
4	Draught diverter	α	8 705 505 354
5	Heat exchanger	α	8 705 406 235
6	Temperature limit	α	8 707 206 132
7	Main burner	NG	8 708 120 298
7	Main burner	LPG	8 708 120 296
8	Washer	α	8 710 103 060
9	Throttle disc (7.0)	LPG	8 700 100 174
10	Pilot burner (41.2)	LPG	8 708 105 491
10	Pilot burner	NG	8 708 105 337
11	Set of electrodes	α	8 718 107 067
12	Pilot injector (13)	NG	8 708 200 069
12	Pilot injector (74)	LPG	8 708 200 312
13	Pilot gas pipe	α	8 700 707 370
14	Washer	α	8 700 103 173
15	Gas valve	NG	8 707 011 917
15	Gas valve	LPG	8 707 011 945
16	Diaphragm switch	NG	8 708 504 021
16	Diaphragm switch	LPG	8 708 504 049
17	Pilot electrovalve	α	8 708 501 249
18	Burner electrovalve	α	8 708 501 250
19	Cold water pipe	α	8 700 705 972
20	Hydro-generator	α	8 707 406 026
21	Connecting pipe	α	8 700 705 947
22	Hot water pipe	α	8 700 715 080
23	Temperature limit	α	8 707 206 040
24	Water valve	α	8 707 006 353
25	Cover	α	8 705 500 101
26	Diaphragm (C)	α	8 700 503 053
27	Water strainer	α	8 700 507 001
28	Selector screw	α	8 708 500 289
29	Volumetric water governor	α	8 705 705 026
30	Venturi (23S)	α	8 708 205 279
31	Ignition unit	α	8 707 207 085
32	Cable	α	8 704 404 040
33	Ignition cable	α	8 704 404 039
34	Flue gas safety device	α	8 707 206 235
35	Set of cables	α	8 704 404 038
36	Water valve repair kit	α	8 703 406 178
37	O'ring	α	8 700 205 120
38	O'ring	α	8 700 205 119
39	Water connections gasket	α	8 710 103 043
40	Water elbow fitting	α	8 700 703 114