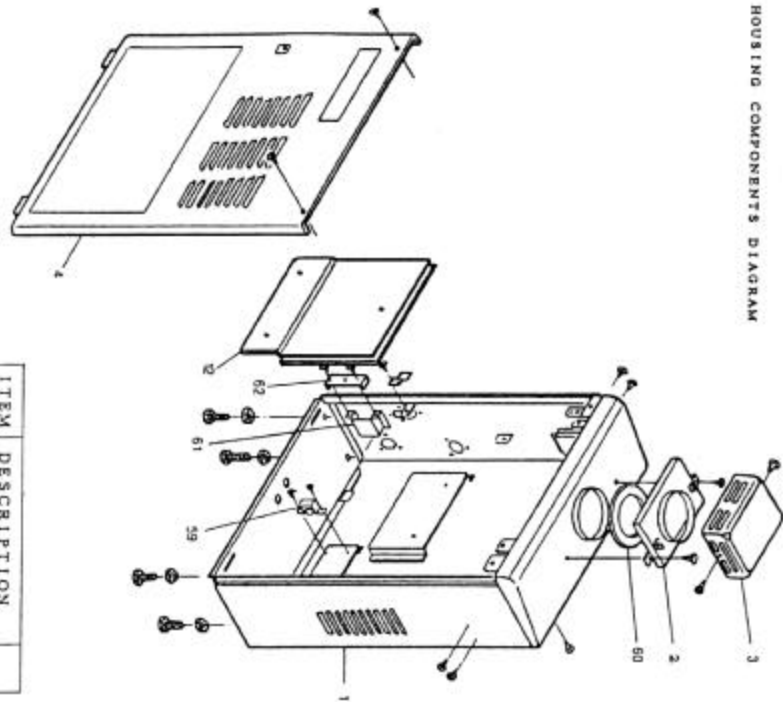
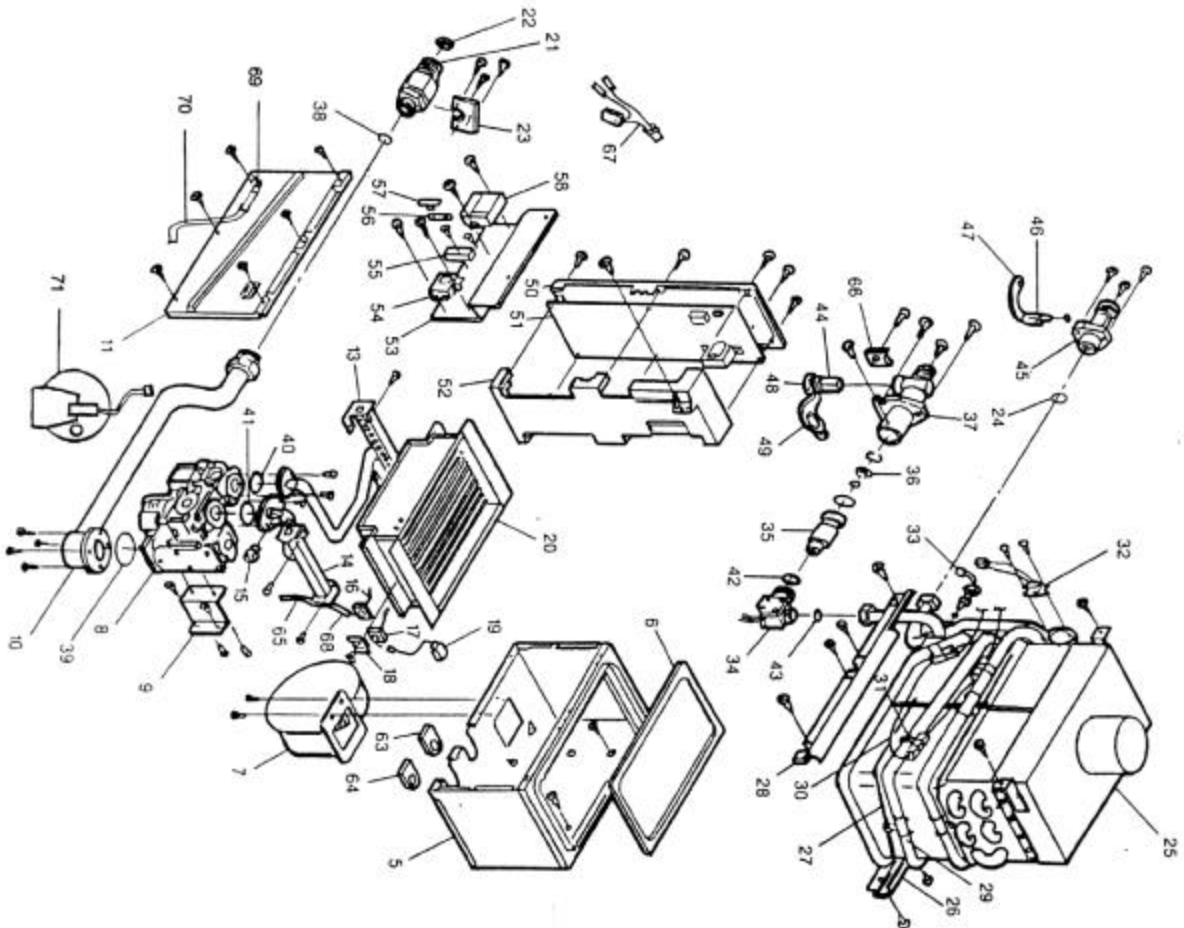


HOUSING COMPONENTS DIAGRAM



ITEM	DESCRIPTION
1	CASE ASSEMBLY
2	TOP ASSEMBLY
3	FRONT COVER
4	BACK GLAND PANEL ASSEMBLY
59	TRANSFORMER
60	RELAY RING



PARTS LIST (the part number is EK followed by the ITEM number)

ITEM	DESCRIPTION	ITEM	DESCRIPTION
1	CASE ASSEMBLY	2	TOP ASSEMBLY
3	OUT DOOR VENT CAP	4	FRONT COVER
5	COMBUSTION CHAMBER	6	PACKING
7	FAN MOTOR	8	GAS VALVE UNIT
9	VALVE FIXING PLATE	10	GAS IN PIPE
11	COMBUSTION CHAMBER FRONT	12	BACK GUARD PANEL
13	LEFT MANIFOLD	14	RIGHT MANIFOLD
16	SPARK ELECTRODE	17	FLAME DETECTOR
18	FIXING PLATE	19	FLAME DETECTOR WIRE
20	BURNER ASSEMBLY	21	GAS INLET
22	GAS FILTER	23	FIXING PLATE
24	SEAL PACKING	25	HEAT EXCHANGER ASSEMBLY
26	HEAT EXCHANGER FIXING PLATE	27	OVER HEAT CUT OFF FUSE
28	HEAT EXCHANGER FIXING PLATE	29	FUSE FIXING PLATE
30	HEATER BLOCK ASSEMBLY	31	HEATER FIXING PLATE
32	HI - LIMIT SWITCH	33	THERMISTOR ASSEMBLY
34	FLOW SENSOR	35	WATER GOVERNOR CASE
36	WATER GOVERNOR	37	WATER INLET
38	O-RING	39	O-RING
40	O-RING	41	O-RING
42	O-RING	43	JOINT PACKING
44	FILTER	45	WATER OUTLET
46	DRAIN PLUG	47	DRAIN BAND
48	DRAIN PLUG	49	DRAIN BAND
50	CONTROL BOX "A"	51	CIRCUIT PLATE
52	CONTROL BOX "B"	53	PLATE
54	IGNITER	55	FUSE BOX
56	FUSE	57	FUSE COVER
58	GROUND FAULT INTERRUPTER	59	TRANSFORMER
60	SILICON RING	63	RUBBER BUSHING "A"
64	RUBBER BUSHING "B"	65	IGNITION WIRE
66	SEAL PLATE	67	THERMOSTAT
68	SILICON CAP	69	PRESSURE SWITCH PORT
70	SILICON TUBE	71	PRESSURE SWITCH