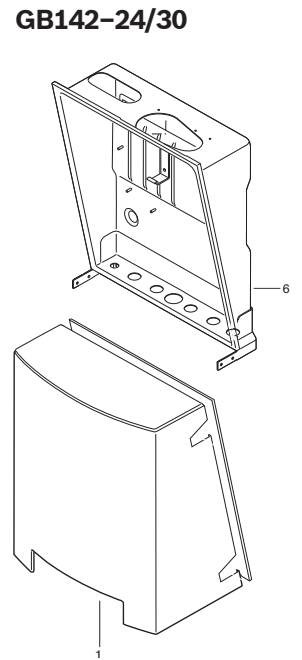
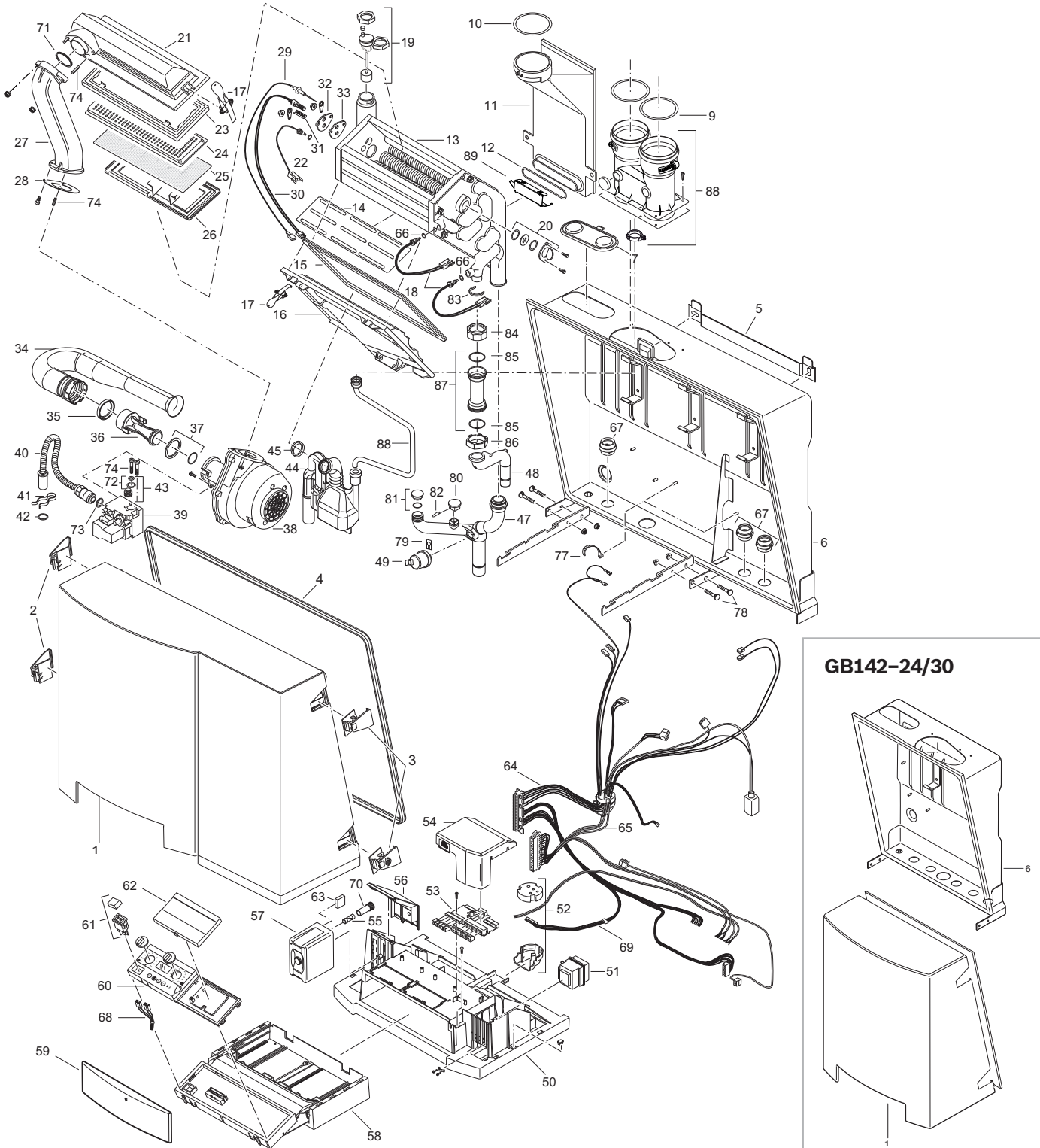


Parts List GB142



BOSCH
Invented for life

Overview and Subassemblies



Continued on Page 2

GB142

Overview and Subassemblies, Continued from page 1

Position	Part Number	Description	Recommended Stocking	
			Distributor	Contractor
1	7099901	Casing GB142-45/60		
1	7099988	Casing GB142-24/30		
2	7099039	Fasteners Casing L (2x)		
3	7099038	Fasteners Casing R (2x)		
4	7098752	Sealing Casing		
4	7098798	Sealing Casing		
5	7098364	Wall Mounting Bracket F. GB142		
6	7099903	Rear Panel GB142-45/60		
6	7099001	Rear Panel GB142-24/30		
7	7100250	Cover Ventilation Box		
9	8718600719	Seal Ring Gasket 3" (2 pcs)		
10	7096475	Sealing DN 80	☐	
11	7098857	Exhaust Pipe		
12	7098858	Sealing Exhaust Pipe		
13	7746700114	Heat Exchanger 24/30 ASME Service		
13	7746700115	Heat Exchanger 45 Service ASME		
13	7746700116	Heat Exchanger 65 Service ASME		
14	7098828	Heat Exchanger Baffle 24/30kW		
15	7098834	Heat Exchanger Gasket 24/30kW	☐	
15	67900522	Heat Exchanger Gasket 60kW	☐	
15	7098838	Heat Exchanger Gasket 45kW	☐	
16	7098840	Cond. Collector & Sealing 24/30kW		
16	7098844	Cond. Collector & Sealing 45kW		
16	67900521	Cond. Collector & Sealing 60kW		
17	7098848	Fasteners	☐	
18	7100136	Central Heating Sensor	☐	
19	7098822	Air Vent Revision Set	☐	
20	7098575	Sight Glass		
21	7099057	Burnerhousing 24-30kW		
21	7098875	Burnerhousing		
21	67900525	Burner Box GB142-60		
22	78194	Safety Sensor		

Position	Part Number	Description	Recommended Stocking	
			Distributor	Contractor
23	7098916	Burner Plate Gasket 24/30kW	☐	☐
23	7098920	Burner Plate Gasket 45kW	☐	☐
23	67900526	Burner Plate Gasket 60kW	☐	☐
24	67900527	Gas/Air Distribution Plate 60kW		
24	7100922	Gas-air distributor		
24	7098926	Gas/Air Distribution Plate 45kW		
25	67900523	Heat Exchanger Baffle 60kW		
25	7098832	Heat Exchanger Baffle 45/60kW		
25	7100920	2e Gas-air distributor		
26	7099003	Burner 24-30kW		
26	7098932	Burner 45kW		
26	67900528	Burner GB142/60kW		
27	7099004	Gas Air Supply		
28	7099023	Sealing Fan/Air Inlet (5x)		
29	78195	Ionisation Electrode	☐	☐
30	7099006	Hot Surface Igniter	☐	☐
31	7100229	Shield Hot Surface Ignitor	☐	☐
32	7098852	Mounting Plate		
33	7098850	Sealing Mounting Plate		
34	7099024	Air Inlet Pipe 24-30kW		
34	7099923	Air Inlet Pipe 45-60kW		
35	7099058	Sealing 50 mm (5x)	☐	
36	7099020	Venturi 24/30kW (423.072A)	☐	☐
36	7099925	Venturi	☐	☐
36	7746900148	Venturi 60kW	☐	☐
37	7099021	Sealing Set (2x5x)	☐	☐
38	78184	Fan 120V	☐	☐
39	7746900891	Gas Valve for GB142 cpl	☐	☐
40	76685	Gas Supply Pipe		
41	7100549	Clip (5x)		
42	7098778	Sealing (5x)		
43	7099016	Orifice 4,45mm High 24-30kW		

Continued on Page 3

GB142



BOSCH

Invented for life

Overview and Subassemblies, Continued from page 2

Position	Part Number	Description	Recommended Stocking	
			Distributor	Contractor
43	7746901358	CONV. KIT NAT. GAS 60kW H.A.		
43	76686	Orifice DN 7.50mm		
43	7746901356	CONV. KIT NAT. GAS 45kW H.A.		
43	7746901357	CONV. KIT PROPANE 60kW H.A.		
43	76690	Orifice DN 5.40 45kW		
43	76690	Orifice DN 5.40 45kW		
43	7746901421	CONV. KIT NAT. GAS 30kW H.A.		
43	7746901355	CONV. KIT PROPANE 45kW H.A.		
43	7746901353	CONV. KIT PROPANE 24/30kW H.A.		
43	76687	LP Orifice GB142/24-30, 3.35mm		
43	7746901354	CONV. KIT NAT. GAS 24kW H.A.		
44	75978	Siphon GB142 USA	☐	☐
45	7100742	Seal Condensate Trap (5x)	☐	☐
47	75990	GB142 Supply Pipe for 24/30/45		
47	75991	GB142/60 Supply Pipe		
48	7099965	Return Connection Pipe		
48	7099945	GB142/60 Return Pipe		
49	8718600019	Pressure Sensor for GB142	☐	☐
50	7099049	Bottom Plate		
51	78191	Transformer 120V	☐	☐
52	7099050	Grommet Chassis		
53	7099042	GB142 External Connection Board	☐	☐
54	7099046	Ext. Connection Board Cover		
55	8718601966	GB142/162 FUSE 10 PACK		
56	7099047	Cover Backside UBA		
57	8718600083	UBA3 SW 3.6	☐	☐
58	7099043	Drawer Connection Board		
59	7099037	Front Connection Board		
60	78186	Controler Connection Plate BC10	☐	
61	7099041	Power Switch		

Position	Part Number	Description	Recommended Stocking	
			Distributor	Contractor
62	73698	Controller Cover BC10		
63	78223	GB142/24 KIM Chip #1055 2F		
63	78224	GB142/30 KIM Chip #1056 2F		
63	78225	GB142/45 KIM Chip #1057 2F		
63	78226	KIM 1058		
64	78193	Cable Harness Low Voltage	☐	☐
65	7099957	Cable Harness High Voltage	☐	☐
66	7100112	O-Ring Sealing for GB142 NTC and Safety		
67	7099002	Sealing Bush (set)		
68	7099072	Cable Harness Power Switch		
69	7099070	Cable Harness BX-Holder		
70	38345	Fuse Holder		
71	7098878	Seal DN 60mm (5x)		
72	7099018	O-ring Set Orifice (5x)	☐	
73	8718600045	Sealing (5x)	☐	
74	7099065	Tapscrew (5x)		
75	79105	Cap (2x)		
76	75977	Double Nipple		
77	7098810	Cable Clip (10x)		
78	7099078	Screw (4 pc)		
79	7101370	Clip		
80	7099364	Drainplug		
81	38498	Cap Connection Piece		
82	7099402	CLIP (5 PC) - GB142-24/30/45/60		
83	7098996	CENTERING RING (5 PC) GB142-24/30/45/60		
84	7099224	COUPLING NUT GB142-24/30/45/60		
85	7098266	GB162-142 Return Pipe Gasket 10 PAK		
86	7098760	COUPLING NUT GB142-24/30/45/60		
87	73149	Conversion Set Pump		
88	8718600686	Conversion Kit Flue Adapter GB142 USA		

Standard Terms and Conditions of Sale

Portions of Bosch Thermotechnology Corp. Terms and Conditions of Sale can be found below. Please refer to our website: www.boschthermotechnology.com for complete Terms and Conditions of Sale.

1. GENERAL

- 1.1 Your purchase order(s), when accepted, will be subject to the Terms and Conditions of Sale found on www.boschthermotechnology.com. The terms and conditions referenced on www.boschthermotechnology.com constitute the entire agreement between you ("Buyer") and Bosch Thermotechnology Corp. ("BTC") with respect to the transaction(s) covered by your purchase order(s) as confirmed by BTC.
- 1.2 No modification or waiver of any of the terms and conditions found www.boschthermotechnology.com and no additional or different terms or conditions shall be effective unless (i) modified by BTC's quotation or sales modified by BTC's quotation or sales acknowledgement, or (ii) agreed to in a single writing signed by both parties. No oral agreement, course of performance or other means other than such written agreement signed by both parties expressly providing for such waiver shall be deemed to waive the terms of this document.

2. WARRANTY POLICY*

- 2.1 Unless a different limited written warranty is provided by BTC with the Goods, the terms and conditions of the warranty for the Goods shall be subject to the following limited written warranty. BTC warrants all Goods manufactured by it to be free from defects in material and workmanship for one year from the following:

- 2.1.1 The date of installation if a warranty card has been received by BTC that sets forth the correct date of installation;
- 2.1.2 The date of purchase if the date can be established by an invoice; or
- 2.1.3 The date of manufacture if the information required in 2.1.1 or 2.1.2 is not available.

Buyer's sole and exclusive remedy under this warranty shall be limited to either the repair or exchange of warranted products, at BTC's option FCA BTC's factory. No attempt to repair or improve the Goods or parts by any of BTC's representatives shall change or extend this warranty.

2.2 Limitations on Warranty

THE FOREGOING WARRANTY IS EXPRESSLY IN LIEU OF ANY OTHER WARRANTIES, EXPRESSED OR IMPLIED, INCLUDING BUT NOT LIMITED TO THE IMPLIED WARRANTIES OF MERCHANTABILITY OR FITNESS FOR A PARTICULAR PURPOSE.

The above warranty does not apply to specialty items or modifications to Goods, which as detailed in section 12.2 of Terms and Conditions of Sale found on www.boschthermotechnology.com, are purchased "AS IS".