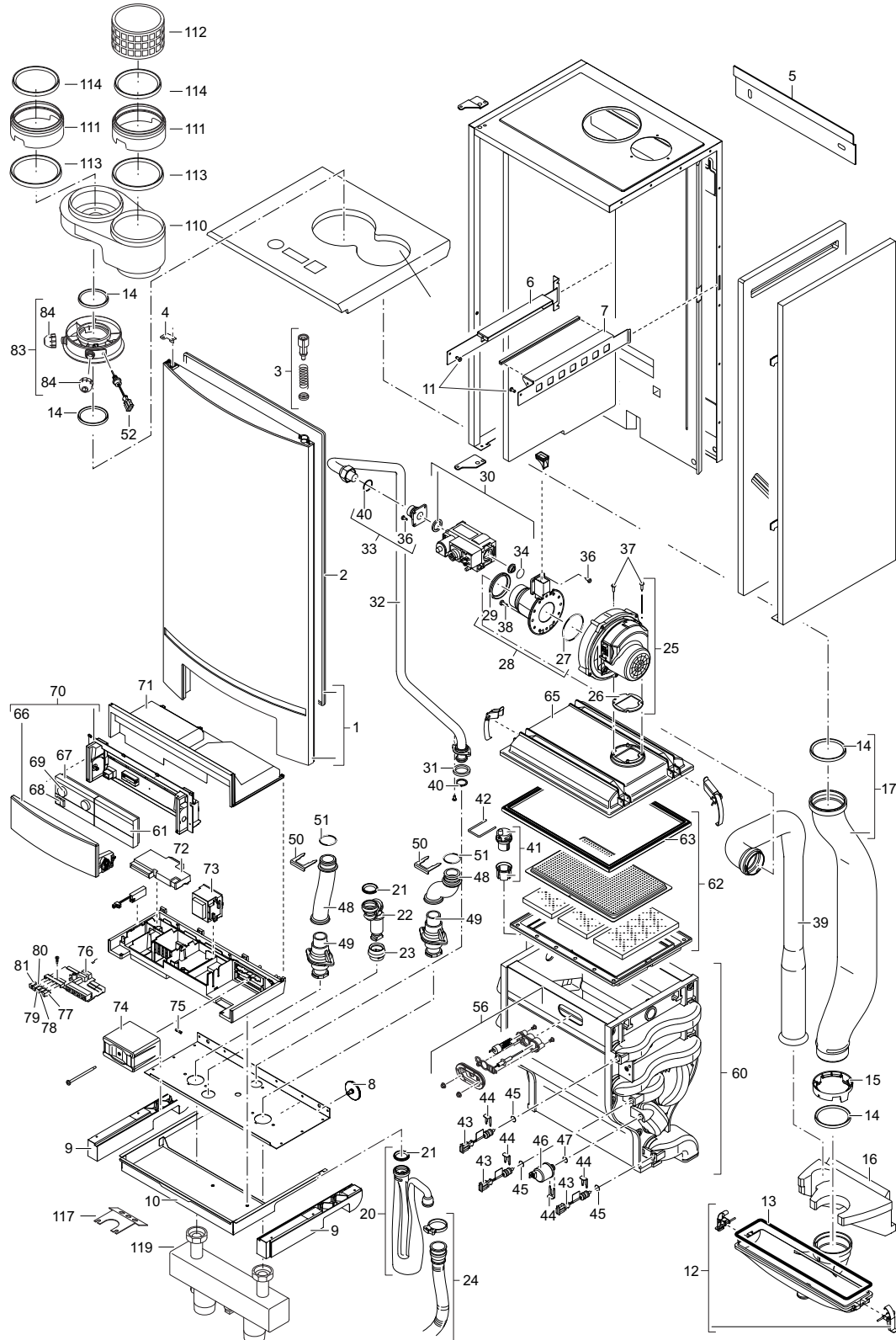


Parts List GB162



BOSCH
Invented for life

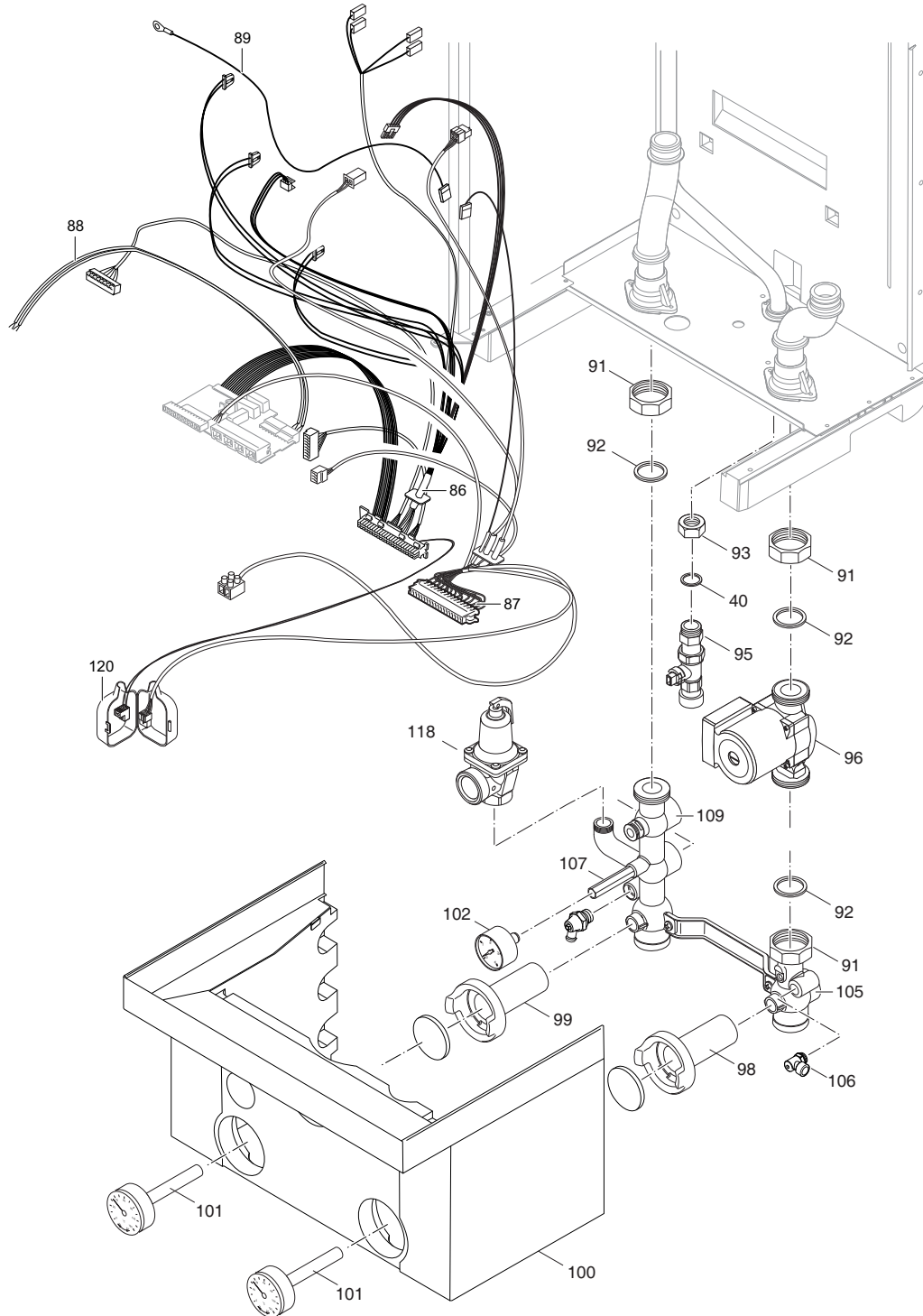
Overview and Subassemblies



Continued on Page 2

GB162

Overview and Subassemblies, Continued from page 1



Continued on Page 3

GB162



BOSCH

Invented for life

Overview and Subassemblies, Continued from page 2

Position	Part Number	Description	Recommended Stocking	
			Distributor	Contractor
	8718600732	GB162 L.B. Kim 80kw 4001-10,000ft		
	8718600731	GB162 L.B. Kim 100KW 4001-1000ft		
	73986	Screw 6,3x19 (10 pc) x		
1	8718600326	GB162 L.B. Front Door U.S.		
2	7101382	SEALING DOOR GASKET		
3	7101384	Door Lock Assembly - Plastic		
4	7101520	Top Door Hinge		
5	7101386	Wall Mounting Bracket		
6	73962	Bracket Left		
7	73963	Bracket Right		
8	7101394	Adjusting Foot 8		
9	73951	Transport Slide (L + R)		
10	73964	Drawer Modules 10		
12	73930	Condensate Collector		
13	7746900152	Sealing Condensate Collector		
14	73931	CONDENSATE BREECH GASKET		
15	73934	Ring Condensate Collector		
16	73907	Holder condensate collector		
17	73935	Mounting Flue Gas Pipe		
20	73933	Condensate Trap	☐	☐
21	73463	Sealing condensate trap	☐	☐
22	73932	Condensate Drain Pipe	☐	
23	73449	Grommet (white)		
24	73995	CONDENSATE PIPE	☐	☐
25	7746900382	Fan 120V	☐	☐
26	73920	Fan Gasket	☐	☐
27	73983	O-Ring 70x3 (2 per Bag)	☐	
28	7746901751	Venturi 2LL 2Ei - Conv. Set (50-70 kW)	☐	
29	73563	Gasket 60mm	☐	
30	8718600323	GB162 L.B. Natural Gas Valve	☐	☐
31	7098962	Sealing 4x21x30 (5x)	☐	
32	7746900397	Gas Pipe	☐	

Position	Part Number	Description	Recommended Stocking	
			Distributor	Contractor
33	8718600286	Flange Gas Valve	☐	
34	73982	Gas Orifice O-ring, Two PC to a BA	☐	
36	7099650	Screw M5x12 (10x)		
37	7101484	Screw M5x16 (10x)		
39	73926	Air Inlet Pipe 39		
40	73969	O-ring for Gas Pipe to Gas Valve	☐	
41	73916	Air Vent Revision	☐	
42	7101430	Air Vent Clip		
43	7746900391	Safety Sensor	☐	☐
44	78156s	GB162 Clip	☐	☐
45	78175s	O-ring (10x)	☐	☐
46	73915	Pressure Sensor 46	☐	☐
47	78234s	GB162 O-Ring for pressure sensor (10pc)	☐	☐
48	73950	Return & Supply Pipe connector		
49	73080	Connection Nipple CH		
50	73974	Supply & Return Pipe Clip		
51	7101488	O-Ring (Bag of 10)		
52	7738000843	GB162 HEAT EXCHANGER	☐	☐
56	8718600172	Ionization rod Set kpl. 50-100 kW	☐	☐
60	7746900383	Heat Exchanger ASME	☐	
61	73698	Controller Cover BC10		
62	7101444	BURNER	☐	
63	7101446	BURNER GASKET	☐	
65	73919	Burner Box	☐	
66	7101490	Front panel		
67	78186	Controler Connection Plate BC10	☐	
68	73660	Power Switch		
69	38724	Knob BC10		
70	7101480	Control Panel		
71	7101498	Control Cover Box		
72	73815	Connection Cover Board 230V		
73	78191	Transformer 120V	☐	☐

Continued on Page 4

GB162

Overview and Subassemblies, Continued from page 3

Position	Part Number	Description	Recommended Stocking	
			Distributor	Contractor
74	8718600083	UBA3 SW 3.6	☐	☐
75	73904s	GB142/162 FUSE 10 PACK	☐	☐
76	73814	GB142 External Connection Board	☐	☐
77	73776	Electronic Connection Red	☐	
78	73774	Electronic Connection Grey	☐	
79	73773	Terminal Green	☐	
80	73775	Electronic Connection Blue	☐	
81	73777	Electronic connection Orange	☐	
83	73936	Fluegas Adapter 83	☐	
84	73937	Cap for Measuring Port		
86	7738000846	Cable Harness Low Voltage	☐	☐
87	7746900393	Cable Harness High Voltage	☐	☐
88	73946	CABLE HARNESS ON/OFF		
89	7101474	CABLE HARNESS GROUND		
91	73481s	COUPLING NUT GB142-24/30/45/60	☐	
92	7746700417	Sealing (5 pcs)		
93	73675	Nut 1		
95	7746900401	Gas Valve	☐	☐
96	7746900402	Pump	☐	☐

Position	Part Number	Description	Recommended Stocking	
			Distributor	Contractor
98	7746700421	Thermometer Case (Blue)		
99	7746700422	Thermometer Case (Red)		
100	73961	Casing for Manifold		
101	7746900404	Thermometer		
102	7101506	Pressure Gauge		
105	74549	Connection Return Single		
106	7746900403	Air Vent	☐	
107	73081	Pressure Gauge Adapter		
108	7101410	Drain Pipe	☐	
109	7746900406	Connection Supply		
110	7746900384	Adapter Parallel 4 inch.		
111	7746900385	Adapter Insert 4 inch.		
112	7746900386	Filter		
113	7746900387	Sealing 114mm		
114	7746900388	Sealing 103mm		
117	7746900398	Fastener		
118	7746900405	Safety Valve ASME		
119	7746900400	Low Loss Header		
120	73948	Plug Protector		



BOSCH
Invented for life

Standard Terms and Conditions of Sale

Portions of Bosch Thermotechnology Corp. Terms and Conditions of Sale can be found below. Please refer to our website: www.boschthermotechnology.com for complete Terms and Conditions of Sale.

1. GENERAL

- 1.1 Your purchase order(s), when accepted, will be subject to the Terms and Conditions of Sale found on www.boschthermotechnology.com. The terms and conditions referenced on www.boschthermotechnology.com constitute the entire agreement between you ("Buyer") and Bosch Thermotechnology Corp. ("BTC") with respect to the transaction(s) covered by your purchase order(s) as confirmed by BTC.
- 1.2 No modification or waiver of any of the terms and conditions found www.boschthermotechnology.com and no additional or different terms or conditions shall be effective unless (i) modified by BTC's quotation or sales modified by BTC's quotation or sales acknowledgement, or (ii) agreed to in a single writing signed by both parties. No oral agreement, course of performance or other means other than such written agreement signed by both parties expressly providing for such waiver shall be deemed to waive the terms of this document.

2. WARRANTY POLICY*

- 2.1 Unless a different limited written warranty is provided by BTC with the Goods, the terms and conditions of the warranty for the Goods shall be subject to the following limited written warranty. BTC warrants all Goods manufactured by it to be free from defects in material and workmanship for one year from the following:

- 2.1.1 The date of installation if a warranty card has been received by BTC that sets forth the correct date of installation;
- 2.1.2 The date of purchase if the date can be established by an invoice; or
- 2.1.3 The date of manufacture if the information required in 5.1.1 or 5.1.2 is not available.

Buyer's sole and exclusive remedy under this warranty shall be limited to either the repair or exchange of warranted products, at BTC's option FCA BTC's factory. No attempt to repair or improve the Goods or parts by any of BTC's representatives shall change or extend this warranty.

2.2 Limitations on Warranty

THE FOREGOING WARRANTY IS EXPRESSLY IN LIEU OF ANY OTHER WARRANTIES, EXPRESSED OR IMPLIED, INCLUDING BUT NOT LIMITED TO THE IMPLIED WARRANTIES OF MERCHANTABILITY OR FITNESS FOR A PARTICULAR PURPOSE.

The above warranty does not apply to specialty items or modifications to Goods, which as detailed in section 12.2 of Terms and Conditions of Sale found on www.boschthermotechnology.com, are purchased "AS IS".