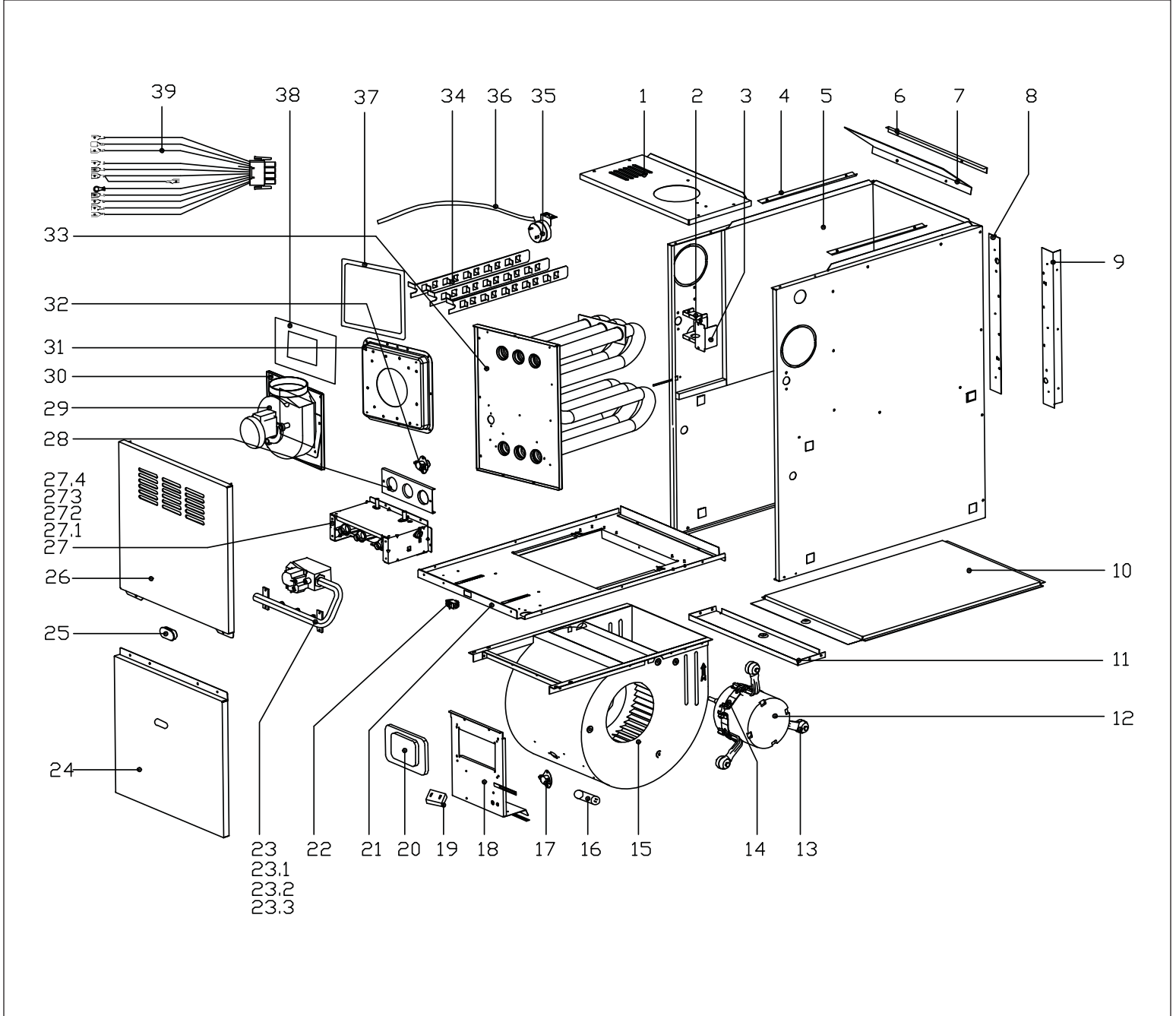


Bosch 80% AFUE Furnace 4-Way Multipoise Category I Fan-Assisted

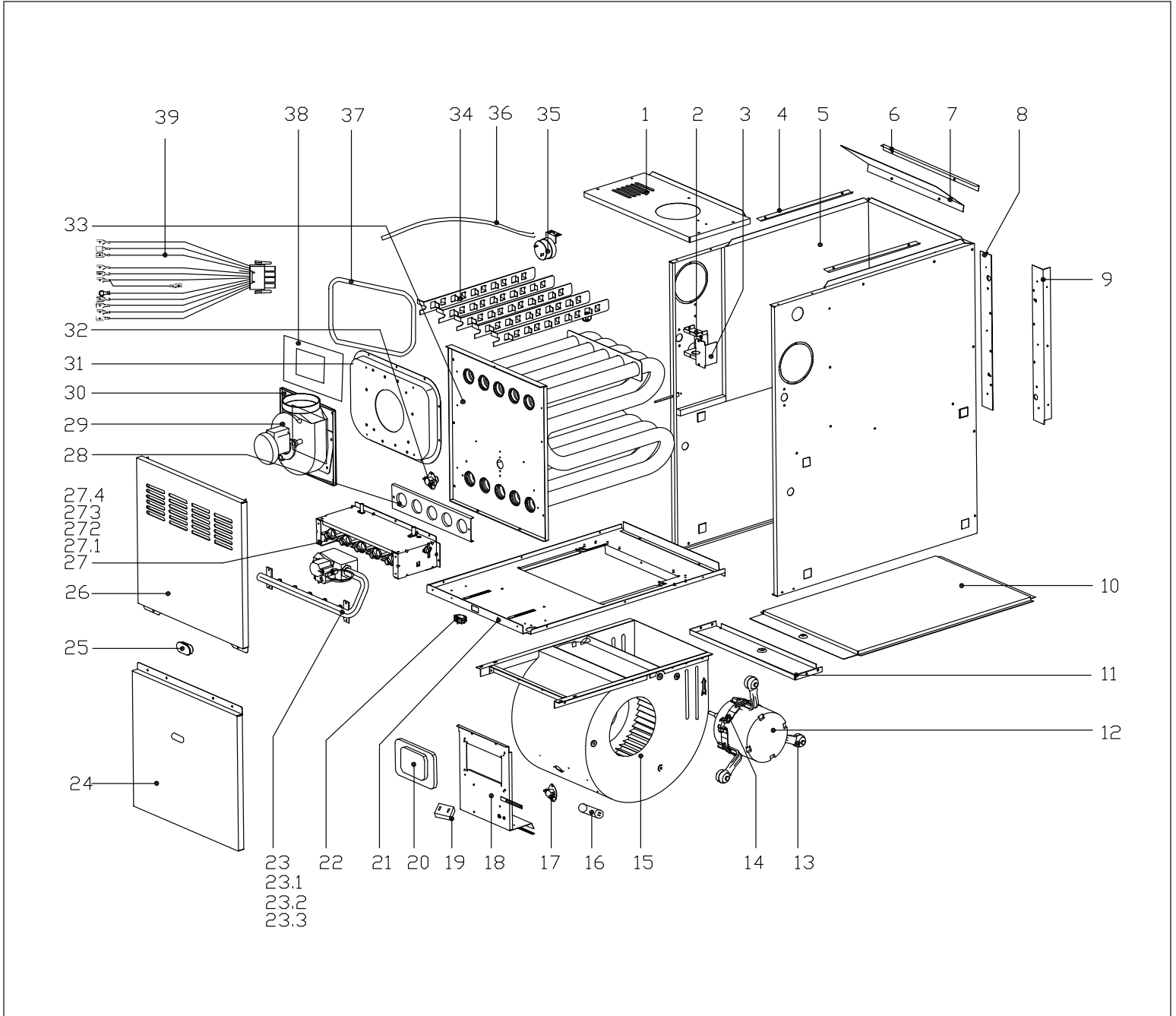
BGS80M050A3A



Pos.	Description	Ordering no.	BGS80M050A3A	Recommended Stacking	Remarks
1	Panel, Top	8733951187	■		
2	Junction box	8733951211	■		
3	Junction box cover	8733951210	■		
4	Clamp rail	8733951214	■		
5	Cabinet assembly (left,right,rear)	8733951183	■		
6	Rear rail	8733951215	■		
7	Damper, air channel	8733951194	■		
8	Left Supporting plate	8733951189	■		
9	Right Supporting plate	8733951213	■		
10	Bottom Return Plate	8733951199	■		
11	Bottom Support Plate	8733951200	■		
12	Single phase asynchronous motor	8733951198	■	✓	
13	Motor bracket assembly I	8733951196	■		
14	Motor bracket	8733951197	■		
15	Centrifugal fan	8733951195	■	✓	
16	Capacitor of compressor	8733951193	■	✓	
17	Fan Mounted Limit switch	8733951205	■	✓	
18	Installation board, E-box	8733951191	■		
19	Transformer	8733951192	■	✓	
20	Main PCB board	8733951190	■	✓	
21	Blower Partition Panel	8733951188	■		
22	Door switch	8733951212	■	✓	
23	Manifold assembly	8733951216	■		
23.1	Gas pipe	8733951217	■		
23.2	Gas valve	8733951219	■	✓	
23.3	NG Orifice (0-2000)	8733951218	■	✓	
24	Panel, Lower Front	8733951201	■		
25	Sight Glass	8733951202	■		
26	Panel, Upper Front	8733951209	■		
27	Burner tray	8733951172	■		
27.1	Burner	8733951174	■	✓	
27.2	Flame sensor	8733951177	■	✓	
27.3	Ignitor	8733951178	■	✓	
27.4	Rollout switch - resettable	8733951176	■	✓	
28	Deflector	8733951180	■		
29	Exhaust fan assembly	8733951208	■	✓	
30	Inducer Mounting Plate	8733951203	■		
31	Gas-collecting hood	8733951207	■		
32	Chamber Limit switch - fixed	8733951204	■	✓	
33	Heat-exchanger assembly	8733951181	■		
34	Spoiler	8733951182	■		
35	Wind pressure sensor	8733951206	■	✓	
36	Pressure switch hose	8733951299	■		
37	Gasket (Gas collecting hood)	8733951295	■		
38	Gasket (Inducer)	8733951298	■		
39	Wire harness	8733951300	■		
	3 Amp Fuse	8733951301	■		
BGS80M050A3A					

Bosch 80% AFUE Furnace 4-Way Multipoise Category I Fan-Assisted

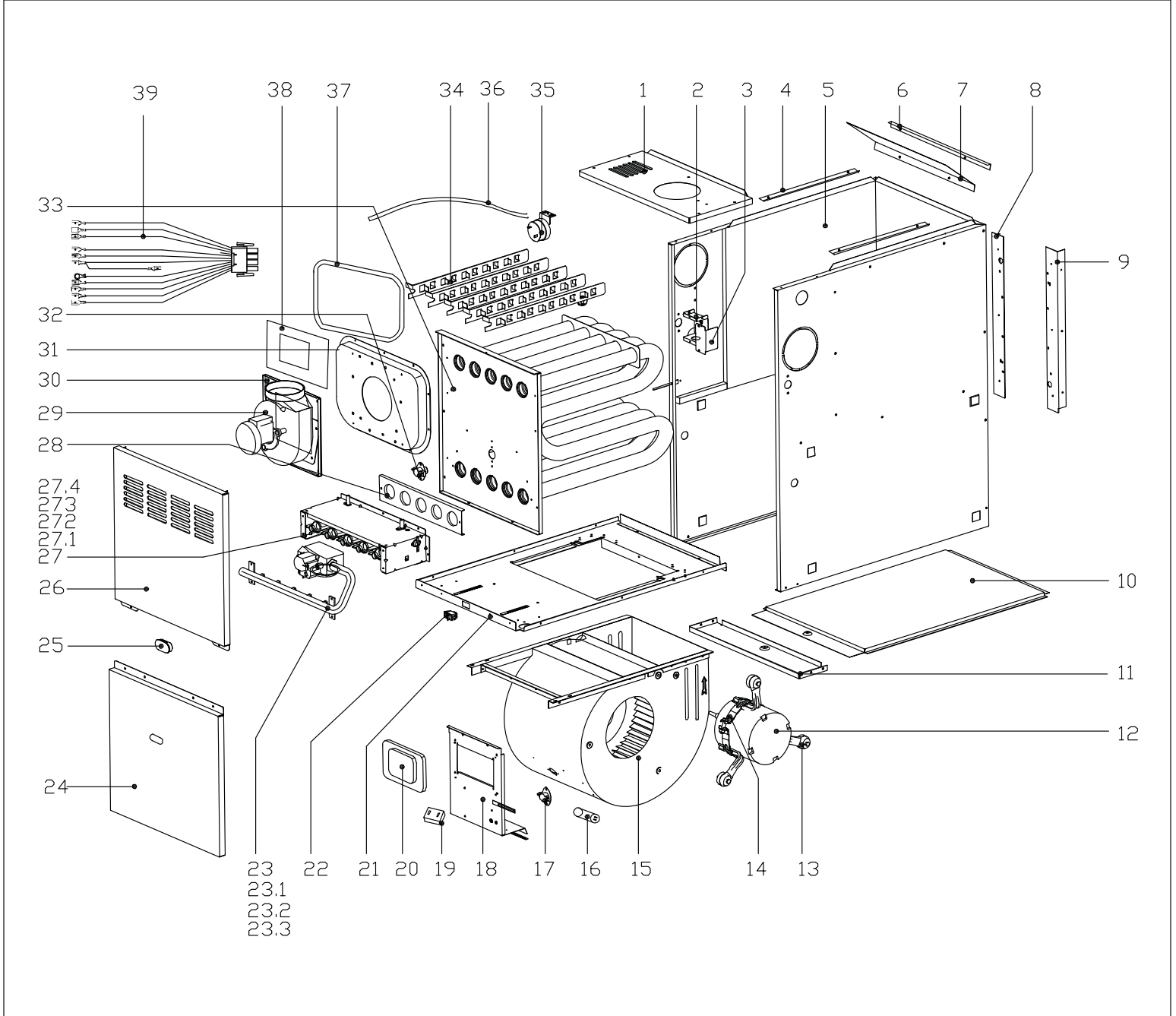
BGS80M080B4A



Pos.	Description	Ordering no.	BGS80M080B4A	Recommended Stocking	Remarks
1	Panel, Top	8733951228	■		
2	Junction box	8733951211	■		
3	Junction box cover	8733951210	■		
4	Clamp rail	8733951214	■		
5	Cabinet assembly (left,right,rear)	8733951226	■		
6	Rear rail	8733951240	■		
7	Damper, air channel	8733951231	■		
8	Left Supporting plate	8733951189	■		
9	Right Supporting plate	8733951213	■		
10	Bottom Return Plate	8733951235	■		
11	Bottom Support Plate	8733951236	■		
12	Single phase asynchronous motor	8733951234	■	✓	
13	Motor bracket assembly I	8733951233	■		
14	Motor bracket	8733951197	■		
15	Centrifugal fan	8733951232	■	✓	
16	Capacitor of compressor	8733951230	■	✓	
17	Fan Mounted Limit switch	8733951205	■	✓	
18	Installation board, E-box	8733951191	■		
19	Transformer	8733951192	■	✓	
20	Main PCB board	8733951190	■	✓	
21	Blower Partition Panel	8733951229	■		
22	Door switch	8733951212	■	✓	
23	Manifold assembly	8733951241	■		
23.1	Gas pipe	8733951242	■		
23.2	Gas valve	8733951219	■	✓	
23.3	NG Orifice (0-2000)	8733951218	■	✓	
24	Panel, Lower Front	8733951237	■		
25	Sight Glass	8733951202	■		
26	Panel, Upper Front	8733951239	■		
27	Burner tray	8733951220	■		
27.1	Burner	8733951174	■	✓	
27.2	Flame sensor	8733951177	■	✓	
27.3	Ignitor	8733951178	■	✓	
27.4	Rollout switch - resettable	8733951176	■	✓	
28	Deflector	8733951224	■		
29	Exhaust fan assembly	8733951208	■	✓	
30	Inducer Mounting Plate	8733951238	■		
31	Gas-collecting hood	8733951284	■		
32	Chamber Limit switch - fixed	8733951204	■	✓	
33	Heat-exchanger assembly	8733951225	■		
34	Spoiler	8733951182	■		
35	Wind pressure sensor	8733951206	■	✓	
36	Pressure switch hose	8733951299	■		
37	Gasket (Gas collecting hood)	8733951296	■		
38	Gasket (Inducer)	8733951298	■		
39	Wire harness	8733951300	■		
	3 Amp Fuse	8733951301	■		
BGS80M080B4A					

Bosch 80% AFUE Furnace 4-Way Multipoise Category I Fan-Assisted

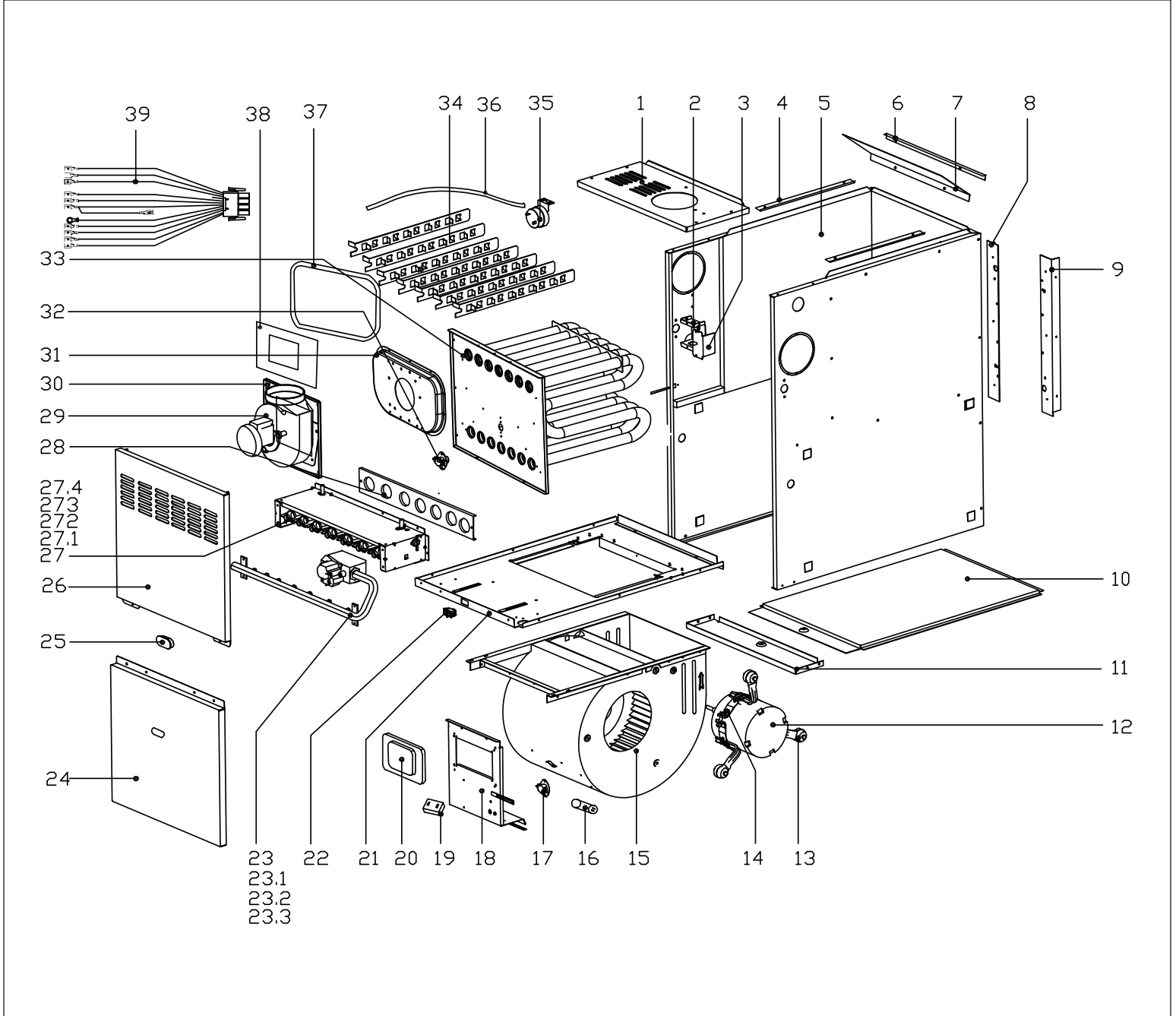
BGS80M100C5A



Pos.	Description	Ordering no.	BGS80M100C5A	Recommended Stocking	Remarks
1	Panel, Top	8733951251	■		
2	Junction box	8733951211	■		
3	Junction box cover	8733951210	■		
4	Clamp rail	8733951214	■		
5	Cabinet assembly (left,right,rear)	8733951249	■		
6	Rear rail	8733951262	■		
7	Damper, air channel	8733951254	■		
8	Left Supporting plate	8733951189	■		
9	Right Supporting plate	8733951213	■		
10	Bottom Return Plate	8733951257	■		
11	Bottom Support Plate	8733951258	■		
12	Single phase asynchronous motor	8733951256	■	✓	
13	Motor bracket assembly I	8733951233	■		
14	Motor bracket	8733951197	■		
15	Centrifugal fan	8733951255	■	✓	
16	Capacitor of compressor	8733951253	■	✓	
17	Fan Mounted Limit switch	8733951205	■	✓	
18	Installation board, E-box	8733951191	■		
19	Transformer	8733951192	■	✓	
20	Main PCB board	8733951190	■	✓	
21	Blower Partition Panel	8733951252	■		
22	Door switch	8733951212	■	✓	
23	Manifold assembly	8733951263	■		
23.1	Gas pipe	8733951264	■		
23.2	Gas valve	8733951219	■	✓	
23.3	NG Orifice (0-2000)	8733951218	■	✓	
24	Panel, Lower Front	8733951259	■		
25	Sight Glass	8733951202	■		
26	Panel, Upper Front	8733951261	■		
27	Burner tray	8733951243	■		
27.1	Burner	8733951174	■	✓	
27.2	Flame sensor	8733951177	■	✓	
27.3	Ignitor	8733951178	■	✓	
27.4	Rollout switch - resettable	8733951176	■	✓	
28	Deflector	8733951247	■		
29	Exhaust fan assembly	8733951208	■	✓	
30	Inducer Mounting Plate	8733951260	■		
31	Gas-collecting hood	8733951285	■		
32	Chamber Limit switch - fixed	8733951204	■	✓	
33	Heat-exchanger assembly	8733951248	■		
34	Spoiler	8733951182	■		
35	Wind pressure sensor	8733951206	■	✓	
36	Pressure switch hose	8733951299	■		
37	Gasket (Gas collecting hood)	8733951297	■		
38	Gasket (Inducer)	8733951298	■		
39	Wire harness	8733951300	■		
	3 Amp Fuse	8733951301	■		
BGS80M100C5A					

Bosch 80% AFUE Furnace 4-Way Multipoise Category I Fan-Assisted

BGS80M120D5A



Pos.	Description	Ordering no.	BGS80M120D5A	Recommended Stocking	Remarks
1	Panel, Top	8733951273	■		
2	Junction box	8733951211	■		
3	Junction box cover	8733951210	■		
4	Clamp rail	8733951214	■		
5	Cabinet assembly (left,right,rear)	8733951271	■		
6	Rear rail	8733951281	■		
7	Damper, air channel	8733951275	■		
8	Left Supporting plate	8733951189	■		
9	Right Supporting plate	8733951213	■		
10	Bottom Return Plate	8733951276	■		
11	Bottom Support Plate	8733951277	■		
12	Single phase asynchronous motor	8733951256	■	✓	
13	Motor bracket assembly I	8733951233	■		
14	Motor bracket	8733951197	■		
15	Centrifugal fan	8733951255	■	✓	
16	Capacitor of compressor	8733951253	■	✓	
17	Fan Mounted Limit switch	8733951205	■	✓	
18	Installation board, E-box	8733951191	■		
19	Transformer	8733951192	■	✓	
20	Main PCB board	8733951190	■	✓	
21	Blower Partition Panel	8733951274	■		
22	Door switch	8733951212	■	✓	
23	Manifold assembly	8733951282	■		
23.1	Gas pipe	8733951283	■		
23.2	Gas valve	8733951219	■	✓	
23.3	NG Orifice (0-2000)	8733951218	■	✓	
24	Panel, Lower Front	8733951278	■		
25	Sight Glass	8733951202	■		
26	Panel, Upper Front	8733951280	■		
27	Burner tray	8733951265	■		
27.1	Burner	8733951174	■	✓	
27.2	Flame sensor	8733951177	■	✓	
27.3	Ignitor	8733951178	■	✓	
27.4	Rollout switch - resettable	8733951176	■	✓	
28	Deflector	8733951269	■		
29	Exhaust fan assembly	8733951208	■	✓	
30	Inducer Mounting Plate	8733951279	■		
31	Gas-collecting hood	8733951285	■		
32	Chamber Limit switch - fixed	8733951204	■	✓	
33	Heat-exchanger assembly	8733951270	■		
34	Spoiler	8733951182	■		
35	Wind pressure sensor	8733951206	■	✓	
36	Pressure switch hose	8733951299	■		
37	Gasket (Gas collecting hood)	8733951297	■		
38	Gasket (Inducer)	8733951298	■		
39	Wire harness	8733951300	■		
	3 Amp Fuse	8733951301	■		
BGS80M120D5A					

Pos.	Description	Ordering no.	BGS80M050A3A	BGS80M080B4A	BGS80M100C5A	BGS80M120D5A	Remarks
1	Panel, Top	8733951187	■				
1	Panel, Top	8733951228		■			
1	Panel, Top	8733951251			■		
1	Panel, Top	8733951273				■	
2	Junction Box	8733951211	■	■	■	■	
3	Junction Box Cover	8733951210	■	■	■	■	
4	Clamp Rail	8733951214	■	■	■	■	
5	Cabinet Ass'y (Left,Right,Rear)	8733951183	■				
5	Cabinet Ass'y (Left,Right,Rear)	8733951226		■			
5	Cabinet Ass'y (Left,Right,Rear)	8733951249			■		
5	Cabinet Ass'y (Left,Right,Rear)	8733951271				■	
6	Rear Rail	8733951215	■				
6	Rear Rail	8733951240		■			
6	Rear Rail	8733951262			■		
6	Rear Rail	8733951281				■	
7	Damper, Air Channel	8733951194	■				
7	Damper, Air Channel	8733951231		■			
7	Damper, Air Channel	8733951254			■		
7	Damper, Air Channel	8733951275				■	
8	Left Supporting plate	8733951189	■	■	■	■	
9	Right Supporting plate	8733951213	■	■	■	■	
10	Bottom Return Plate	8733951199	■				
10	Bottom Return Plate	8733951235		■			
10	Bottom Return Plate	8733951257			■		
10	Bottom Return Plate	8733951276				■	
11	Bottom Support Plate	8733951200	■				
11	Bottom Support Plate	8733951236		■			
11	Bottom Support Plate	8733951258			■		
11	Bottom Support Plate	8733951277				■	
12	Single Phase Asynchronous Motor	8733951198	■				
12	Single Phase Asynchronous Motor	8733951234		■			
12	Single Phase Asynchronous Motor	8733951256			■	■	
13	Motor Bracket Assembly I	8733951196	■				
13	Motor Bracket Assembly I	8733951233		■	■	■	
14	Motor Bracket II	8733951197	■	■	■	■	
15	Centrifugal Fan	8733951195	■				
15	Centrifugal Fan	8733951232		■			
15	Centrifugal Fan	8733951255			■	■	
16	Capacitor Of Compressor	8733951193	■				
16	Capacitor Of Compressor	8733951230		■			
16	Capacitor Of Compressor	8733951253			■	■	
17	Fan mounted Limit Switch	8733951205	■	■	■	■	
18	Installation Board, E-box	8733951191	■	■	■	■	
19	Transformer	8733951192	■	■	■	■	
20	Main PCB Board	8733951190	■	■	■	■	
21	Blower Partition Panel	8733951188	■				
21	Blower Partition Panel	8733951229		■			
21	Blower Partition Panel	8733951252			■		
21	Blower Partition Panel	8733951274				■	
22	Door Switch	8733951212	■	■	■	■	
23	Manifold Assembly	8733951216	■				
23	Manifold Assembly	8733951241		■			
23	Manifold Assembly	8733951263			■		
23	Manifold Assembly	8733951282				■	
All Models: BGS80M050A3A BGS80M080B4A BGS80M100C5A BGS80M120D5A							

Pos.	Description	Ordering no.	BGS80M050A3A	BGS80M080B4A	BGS80M100C5A	BGS80M120D5A	Remarks
23.1	Gas Pipe	8733951217	■				
23.1	Gas Pipe	8733951242		■			
23.1	Gas Pipe	8733951264			■		
23.1	Gas Pipe	8733951283				■	
23.2	Gas Valve	8733951219	■	■	■	■	
23.3	NG Orifice (0-2000)	8733951218	■	■	■	■	
24	Panel, Lower Front	8733951201	■				
24	Panel, Lower Front	8733951237		■			
24	Panel, Lower Front	8733951259			■		
24	Panel, Lower Front	8733951278				■	
25	Sight Glass	8733951202	■	■	■	■	
26	Panel, Upper Front	8733951209	■				
26	Panel, Upper Front	8733951239		■			
26	Panel, Upper Front	8733951261			■		
26	Panel, Upper Front	8733951280				■	
27	Burner Tray	8733951172	■				
27	Burner Tray	8733951220		■			
27	Burner Tray	8733951243			■		
27	Burner Tray	8733951265				■	
27.1	Burner	8733951174	■	■	■	■	
27.2	Flame sensor	8733951177	■	■	■	■	
27.3	Ignitor	8733951178	■	■	■	■	
27.4	Rollout Switch - Resettable	8733951176	■	■	■	■	
28	Deflector	8733951180	■				
28	Deflector	8733951224		■			
28	Deflector	8733951247			■		
28	Deflector	8733951269				■	
29	Exhaust Fan Assembly	8733951208	■	■	■	■	
30	Inducer Mounting Plate	8733951203	■				
30	Inducer Mounting Plate	8733951238		■			
30	Inducer Mounting Plate	8733951260			■		
30	Inducer Mounting Plate	8733951279				■	
31	Gas-Collecting Hood	8733951207	■				
31	Gas-Collecting Hood	8733951284		■			
31	Gas-Collecting Hood	8733951285			■	■	
32	Chamber Limit Switch - Fixed	8733951204	■	■	■	■	
33	Heat-Exchanger Assembly	8733951181	■				
33	Heat-Exchanger Assembly	8733951225		■			
33	Heat-Exchanger Assembly	8733951248			■		
33	Heat-Exchanger Assembly	8733951270				■	
34	Spoiler	8733951182	■	■	■	■	
35	Wind Pressure Sensor	8733951206	■	■	■	■	
36	Pressure Switch Hose	8733951299	■	■	■	■	
37	Gasket (Gas Collecting Hood)	8733951295	■				
37	Gasket (Gas Collecting Hood)	8733951296		■			
37	Gasket (Gas Collecting Hood)	8733951297			■	■	
38	Gasket (Inducer)	8733951298	■	■	■	■	
39	Wire Harness	8733951300	■	■	■	■	
	3 Amp Fuse	8733951301	■	■	■	■	

All Models: BGS80M050A3A | BGS80M080B4A | BGS80M100C5A | BGS80M120D5A

Gas Conversion Kit							
Pos.	Description	Ordering no.	BGS80M050A3A	BGS80M080B4A	BGS80M100C5A	BGS80M120D5A	Remarks
	LP Orifice (0-2000)	8733951604	■	■	■	■	
	NG Orifice (0-2000)	8733951218	■	■	■	■	
	LP Orifice (2000-4000) #58	8733952068	■	■	■	■	
	NG Orifice (2000-4000) #50	8733952069	■	■	■	■	
	LP Orifice (4000-6000) #59	8733952070	■	■	■	■	
	NG Orifice (4000-6000) #51	8733952071	■	■	■	■	
	LP Orifice (6000-8000) #61	8733952072	■	■	■	■	
	NG Orifice (6000-8000) #52	8733952073	■	■	■	■	
	LP Orifice (8000-10000) #62	8733952074	■	■	■	■	
	NG Orifice (8000-10000) #53	8733952075	■	■	■	■	
	Conversion Kit(From NG to LP)	8733951605	■	■	■	■	
	Conversion Kit(From LP to NG)	8733951606	■	■	■	■	
All Models: BGS80M050A3A BGS80M080B4A BGS80M100C5A BGS80M120D5A							