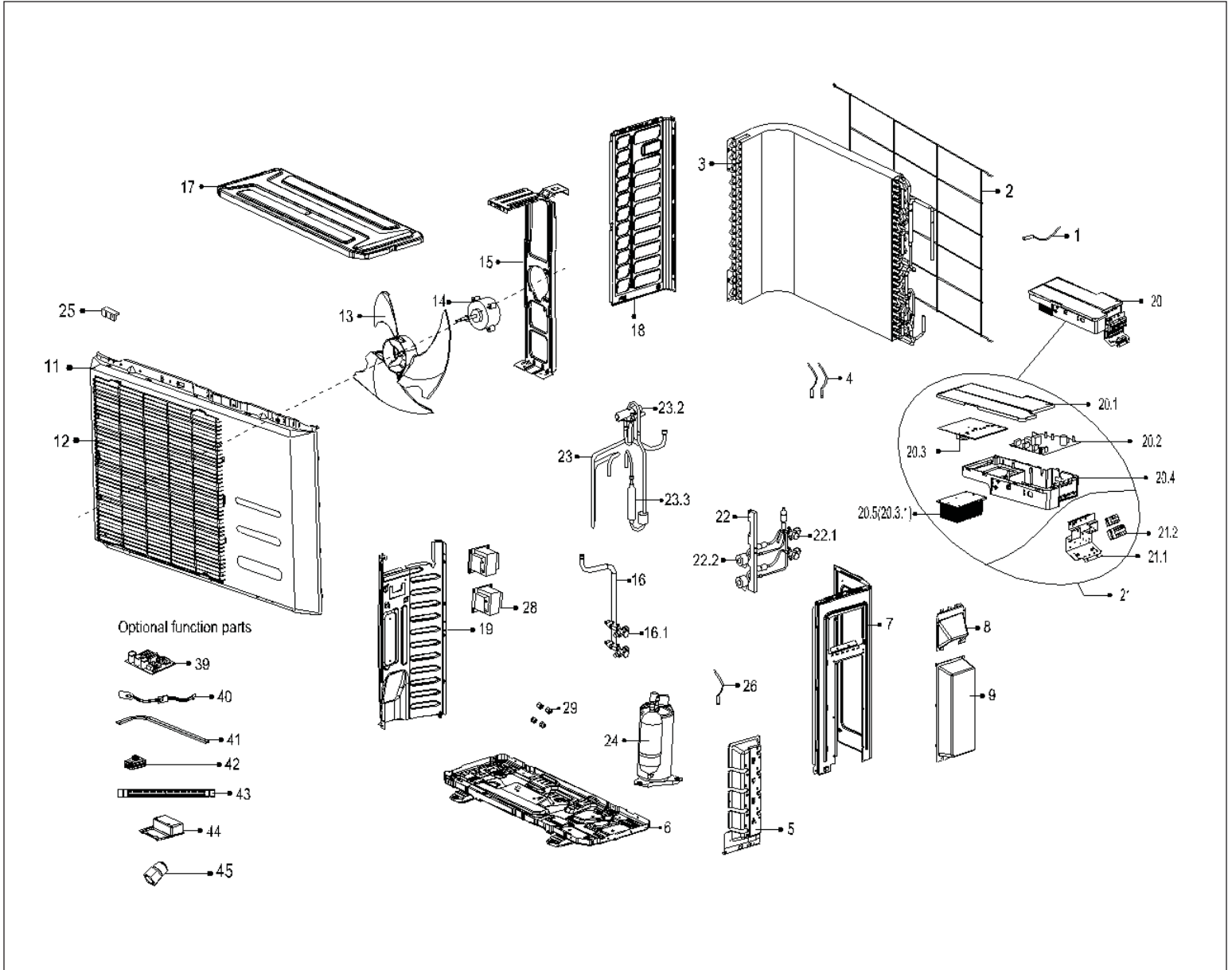


Bosch Climate 5000AA Series BMS500-AAM018-1CSXXA One-Two Split-Type Air Conditioner / Heat Pump



Pos.	Description	Ordering no.	BMS500-AAM018-1CSXXA				Remarks
1	Room Temperature Sensor	7738005558	■				
2	Rear net	7738005660	■				
3	Condenser Assembly	8733945618	■				
4	Pipe temperature sensor assembly	7738005560	■				
4	Temperature Sensor	8733945539	■				
5	Valve plate	8733945585	■				
6	Chassis assembly	8733945575	■				
7	Rear right clapboard assembly	8733945584	■				
8	Big Handle.	8733945576	■				
9	Water collector	8733945556	■				
11	Front panel	7738005655	■				
11.1	Front panel	8733945571	■				
12	Air outlet grille	7738005638	■				
13	Axial fan	7738005658	■				
14	Brushless DC Motor	7738005645	■				
15	Supporter assembly of fan motor	7738005644	■				
16	Liquid valve assembly	8733945603	■				
16.1	Low Pressure Valve	7738005574	■				
17	Top cover assembly	7738005648	■				
18	Left supporter	7738005646	■				
19	Partition board assembly	7738005649	■				
20	Electronic control box assembly	8733945634	■				
20.1	Electric Installing Box Cover	8733945554	■				
20.2	Outdoor main control board assembly	8733945625	■				
20.3	Inverter control board assembly	8733945624	■				
20.3.1	Radiator	8733945544	■				
20.4	Installation plate of electric parts	8733945553	■				
21	Terminal Block Subassembly of Electrical Control Box	8733945633	■				
21.1	Wiring terminal installing plate	8733945580	■				
21.2	Wire holder	8733945641	■				
22	Liquid valve assembly	8733945604	■				
22.1	Liquid valve	7738005578	■				
22.2	Electric expansive valve assembly	8733945608	■				
23	4-ways valve assembly	8733945602	■				
23.2	4-way Valve	8733945610	■				
23.3	Muffler	8733945613	■				
24	DC Inverter Rotary Compressor	8733945532	■				
26	Discharge temperature sensor assembly	8733945538	■				
28	Reactor	7738005698	■				
28	Reactance	8733945639	■				
29	Copper nut	7738005556	■				

BMS500-AAM018-1CSXXA

